

4

3

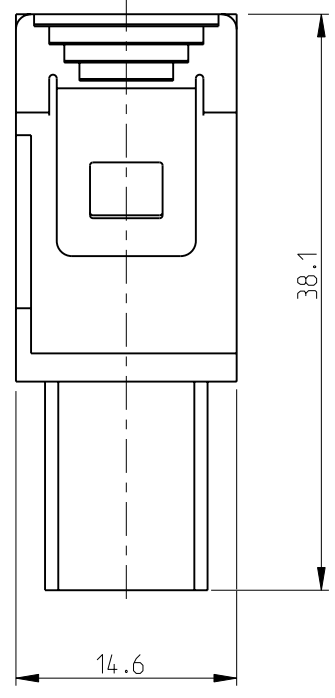
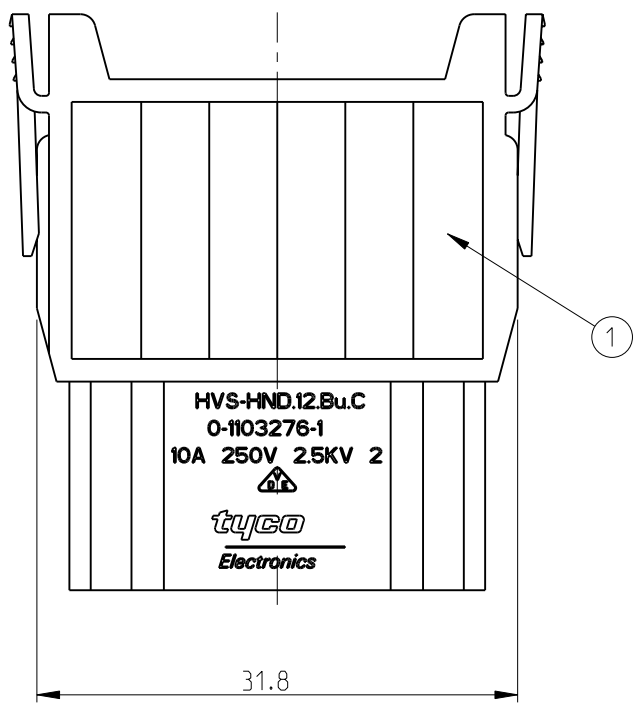
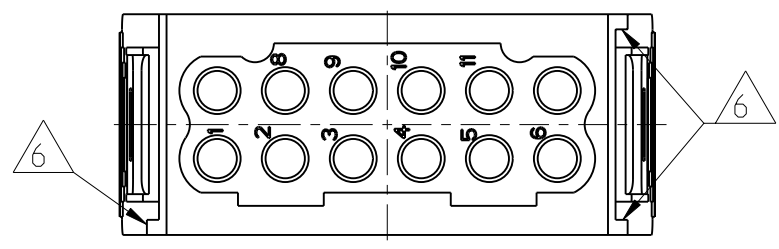
2

1

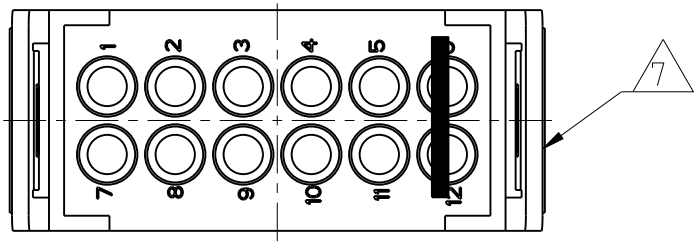
THIS DRAWING IS UNPUBLISHED. RELEASED FOR PUBLICATION 2000  
 © COPYRIGHT 2000 BY TYCO ELECTRONICS CORPORATION. ALL RIGHTS RESERVED.

LOC	DIST	REVISIONS					
		P	LTR	DESCRIPTION	DATE	DWN	APVD
A1		B1		ECR-10-022648	26.10.2010	SR	OH

Contact arrangement  
view from connecting side

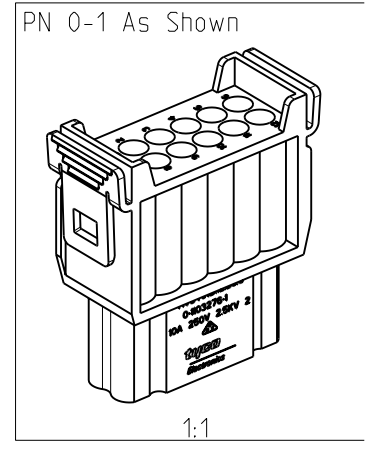


Contact arrangement  
view from termination side



NOTES

- SUITABLE CRIMP CONTACTS: SERIES HN.D  
CUSTOMER DRAWING: 1105051  
OUTER DIMENSIONS OF INSULATION: MAX. Ø4mm
- SUITABLE MODULE FIXING FRAME: SERIES HVS SIZE 3 TO 8  
CUSTOMER DRAWING: 1103250
- SUITABLE INSERTION TOOL:  
CUSTOMER DRAWING: 1102855
- SUITABLE EXTRACTION TOOL:  
CUSTOMER DRAWING: 1102855
- STANDARDS:  
DIN EN 61984; DIN EN 60664-1
- POLARIZATION RIPS
- MARKING OF POLARIZATION ACCORDING TO MARKING OF  
MODULE FRAME
- PACKAGING:  
10 PIECES IN A CARTON



PN 0-1 AS SHOWN

QTY	DESCRIPTION	MATERIAL	COLOR	ITEM NO
1	FEMALE INSERT	PC-GF20	LIGHT GREY	1
PN 0-1 / HVS-HND.12.BU.C				

THIS DRAWING IS A CONTROLLED DOCUMENT FOR TYCO ELECTRONICS CORPORATION IT IS SUBJECT TO CHANGE AND THE CONTROLLING ENGINEERING ORGANIZATION SHOULD BE CONTACTED FOR THE LATEST REVISION.		DWN <b>SCHNEIDER</b> 20.2.2006	Tyco Electronics AMP GmbH 53757 Sankt Augustin, Germany
DIMENSIONS: mm		CHK A.GAST 20.2.2006	
TOLERANCES UNLESS OTHERWISE SPECIFIED: ISO 8075 DIN ISO 2768 mH-E DIN 16901-120		APVD T.SCHNURPFIL 20.2.2006	
0 PLC ± 1 PLC ± 2 PLC ± 3 PLC ± 4 PLC ± ANGLES ±		PRODUCT SPEC 108-74083	
MATERIAL		APPLICATION SPEC 114-74085	NAME FEMALE INSERT HVS-HND.12.BU.C
FINISH		WEIGHT	SIZE A3
		CAGE CODE 00779	
		DRAWING NO C=1103276	
		RESTRICTED TO	
		SCALE 2:1	
		SHEET 1 OF 1	
		REV B1	

DWN <b>SCHNEIDER</b> 20.2.2006		Tyco Electronics AMP GmbH 53757 Sankt Augustin, Germany	
CHK A.GAST 20.2.2006		NAME FEMALE INSERT HVS-HND.12.BU.C	
APVD T.SCHNURPFIL 20.2.2006		PRODUCT SPEC 108-74083	
APPLICATION SPEC 114-74085		APPLICATION SPEC 114-74085	
WEIGHT		SIZE A3	
		CAGE CODE 00779	
		DRAWING NO C=1103276	
		RESTRICTED TO	
		SCALE 2:1	
		SHEET 1 OF 1	
		REV B1	