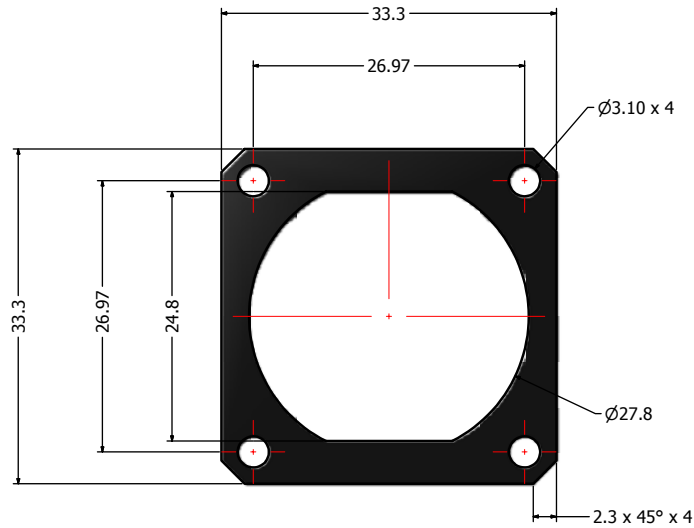


ISO VIEW (SCALE 2)



- Notes:
- Material: NBR, Shore: A85 - A95
  - Color: Black
  - RoHS compliant
  - Operating Temperature: -40°C to +85°C

Directive 2002/95/EC RoHS Compliant

THIS DRAWING MAY NOT BE COPIED, OR REPRODUCED IN ANY WAY AND MAY NOT BE PASSED ON TO A THIRD PARTY WITHOUT WRITTEN PERMISSION. OWNERSHIP AND COPYRIGHT OF CONEC CORPORATION. <b>DOT NOT ALTER CAD DRAWING BY HAND</b>	Customer:			Tolerance Unless otherwise specified			Scale:	Dim. in mm
	Name	Title	Approval Date	0 PLC ±0.50	1 PLC ±0.38		Material: See Notes	
				2 PLC ±0.25	3 PLC ±0.10	Title: Square Panel Gasket		
				ANGLES ±1°		RoHS Compliant		
				2011	Date	Name	Title: Square Panel Gasket	
				Draw.	Jul. 12	Vincent Ke	RoHS Compliant	
				Appd.	Jul. 12	J. Chaudry	Drawing No.: 17K1A285	
				Norm			Part No.: 17-103540	
				D-old			DIN A3	
		a	original				Sheet 1/1	
	Rev.	Changes	Date	Name				