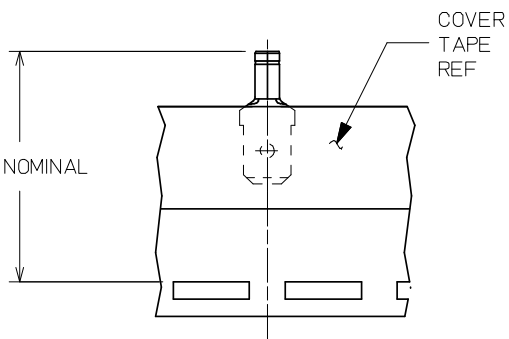
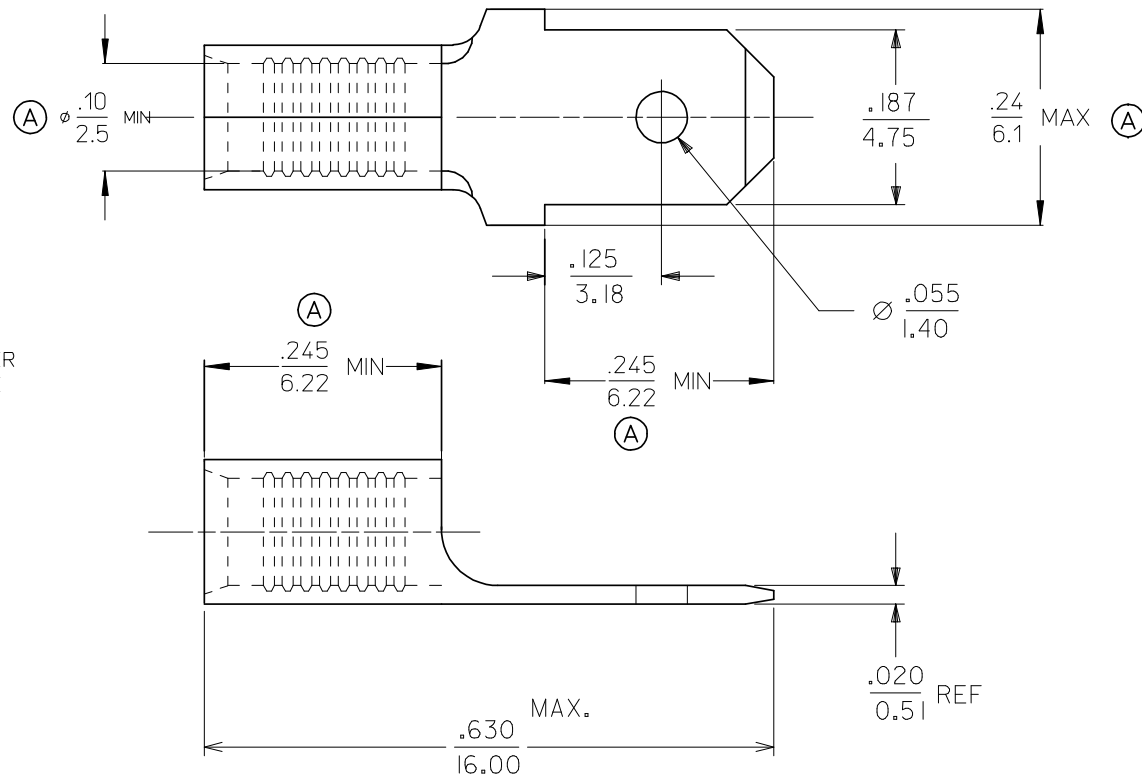


13	12	11	10	9	8	7	6	5	4	3	2	1
MATERIAL NUMBER		ENGINEERING NUMBER	FINISH	CARRIER								
190220022		MCT-17	ZINC CHROMATE PLATING	LOOSE PIECE								
190220024		MCT-17T	ZINC CHROMATE PLATING	TAPE MOUNTED								

1.23
31.2
NOMINAL



190220024 (MCT-17T)
PARTS ON TAPE



Ⓐ NOTES:

1. MATERIAL: BRASS
2. FINISH: SEE CHART
3. WIRE SIZE: 16-14 AWG (1.23-1.94 mm²)
4. TAB DIMENSIONS CONFORM TO UL310 SPECIFICATIONS.
5. PART IS ROHS COMPLIANT.

CHANGED MATERIAL EC NO: ETC2007-0081 DRAWN:EHILE 2008/01/28 CHKD:JMACEIL 2008/01/28 APPR:JMACEIL 2008/02/13	QUALITY SYMBOLS	GENERAL TOLERANCES (UNLESS SPECIFIED) 4 PLACES ± --- ± --- 3 PLACES ± --- ± .005 2 PLACES ± 0.13 ± .01 1 PLACE ± 0.25 ± --- ANGULAR ± --- °	DIMENSION STYLE	SCALE	DESIGN UNITS	THIRD ANGLE PROJECTION
			IN/MM	10:1	INCH	
			mm			
			INCH			
			DRAWN BY	DATE	TITLE	
			EMF	1991/01/25	MALE CONNECTOR TERMINAL LONG BARREL .187 X .020 16-14 AWG	
			CHECKED BY	DATE	MOLEX INCORPORATED	
			APPROVED BY	DATE	DOCUMENT NO.	
					SD-19022-007	
			MATERIAL NO.	SEE CHART		SHEET NO.
						1 OF 1
			SIZE	THIS DRAWING CONTAINS INFORMATION THAT IS PROPRIETARY TO MOLEX INCORPORATED AND SHOULD NOT BE USED WITHOUT WRITTEN PERMISSION		