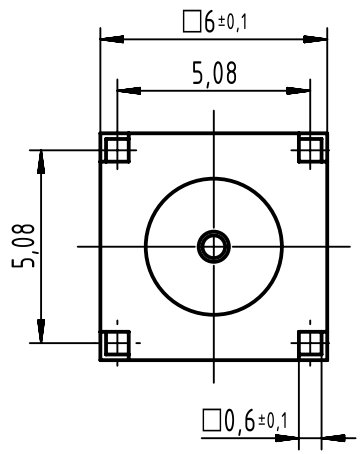
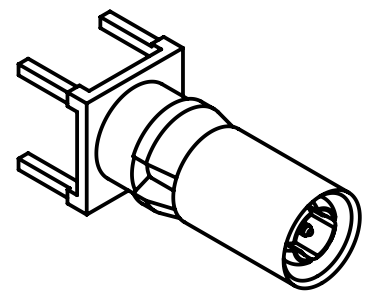
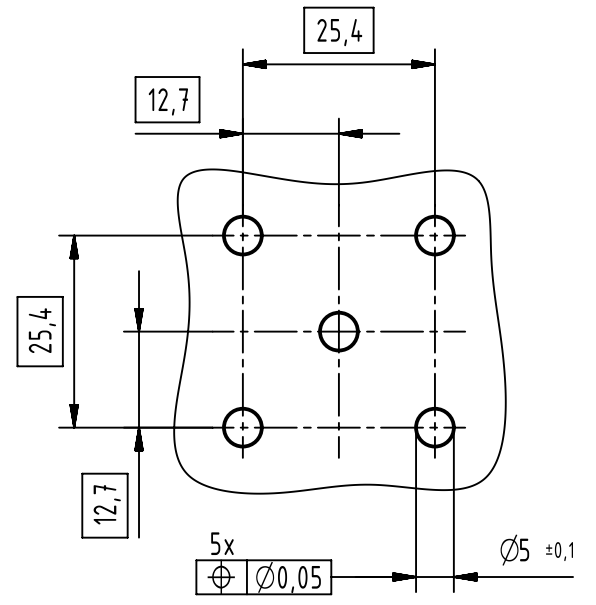


A  
←



A board drillings



	All rights reserved Department EC PD - DE	All Dimensions in mm Original Size DIN A4		Scale 5:1	Free size tol. DIN 41626-2	Ref. Sub. TB 09 03 000 6165 30080 23.07.02	
		HARTING Electronics GmbH D-32339 Espelkamp	Created by ELLERMANN	Inspected by TADJE	Standardisation HOFFMANN	Date 2013-12-19	State Final Release
Title DIN Signal male contact coax 50 Ohm straight solder						Doc-Key / ECM-Nr. 100072499/UGD/002/B 500000069291	
Type TB				Number 09030006165		Rev. B	Page 1/1