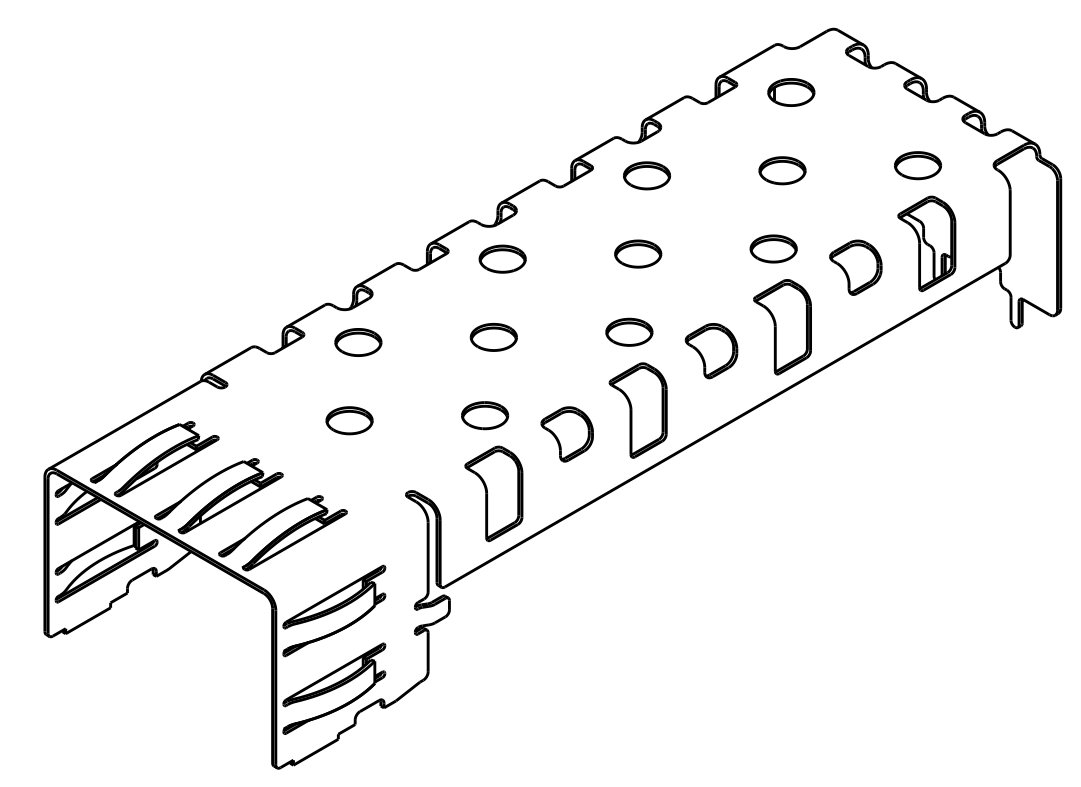
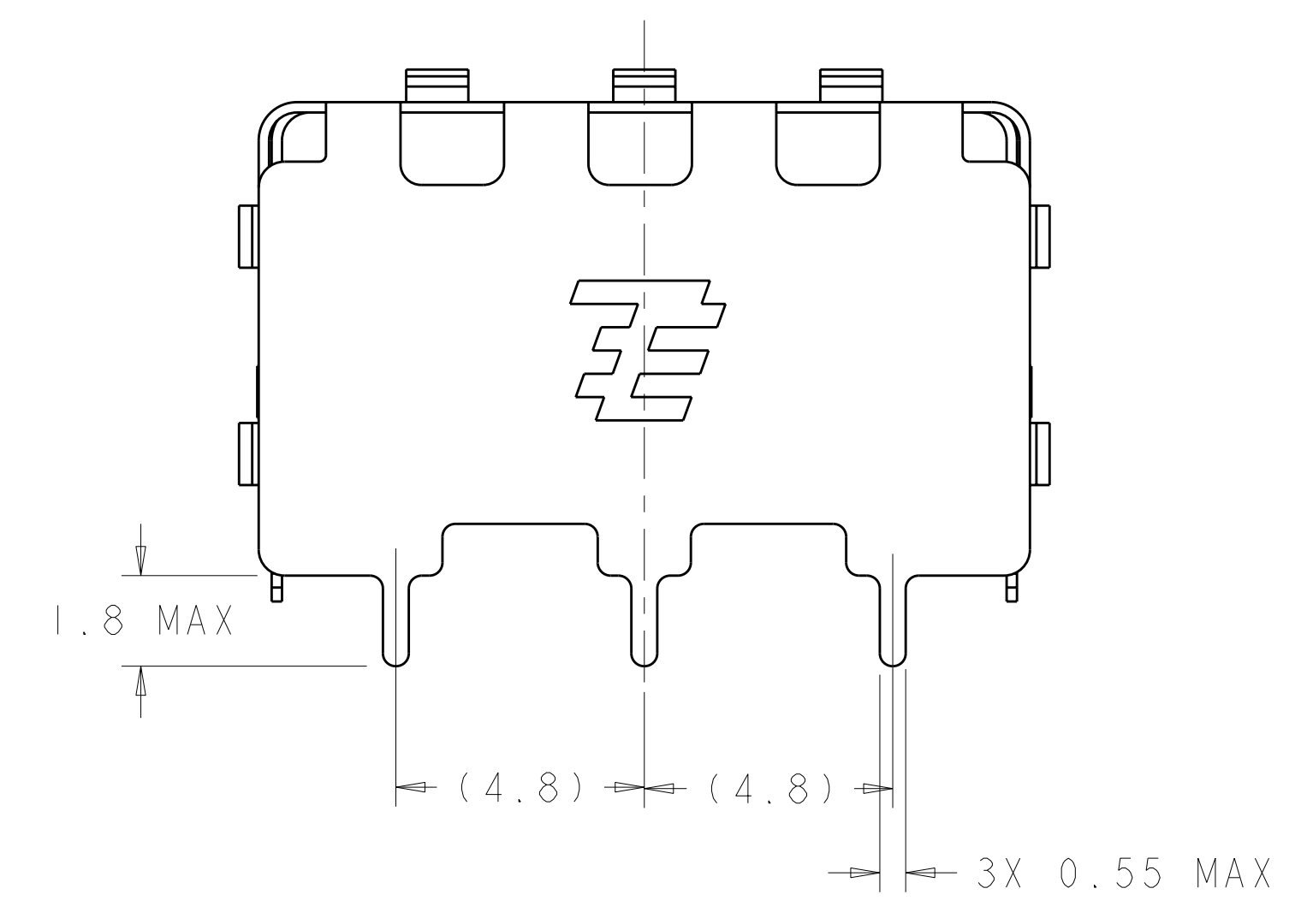
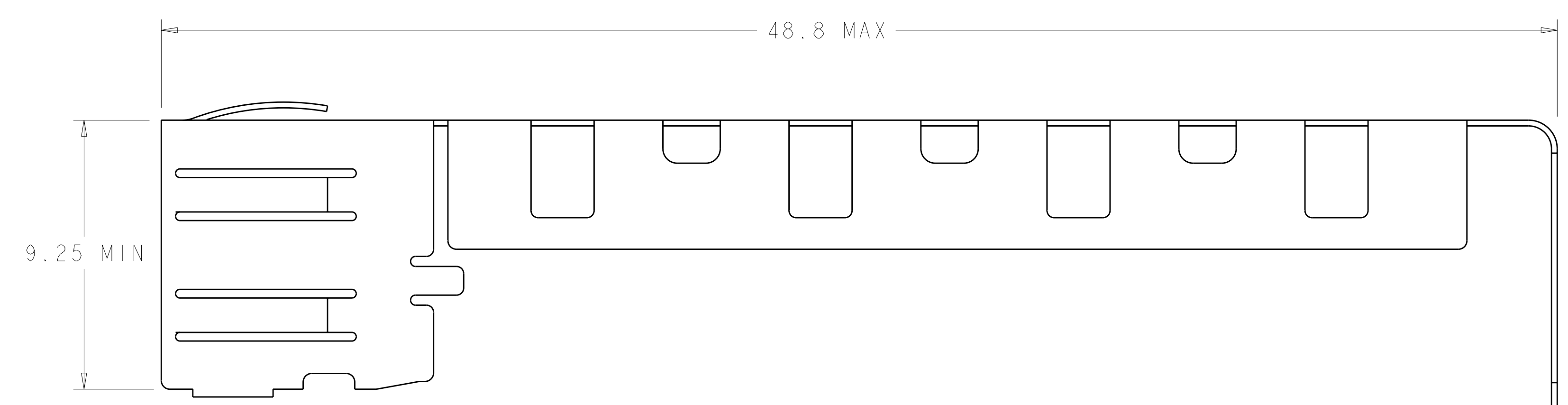
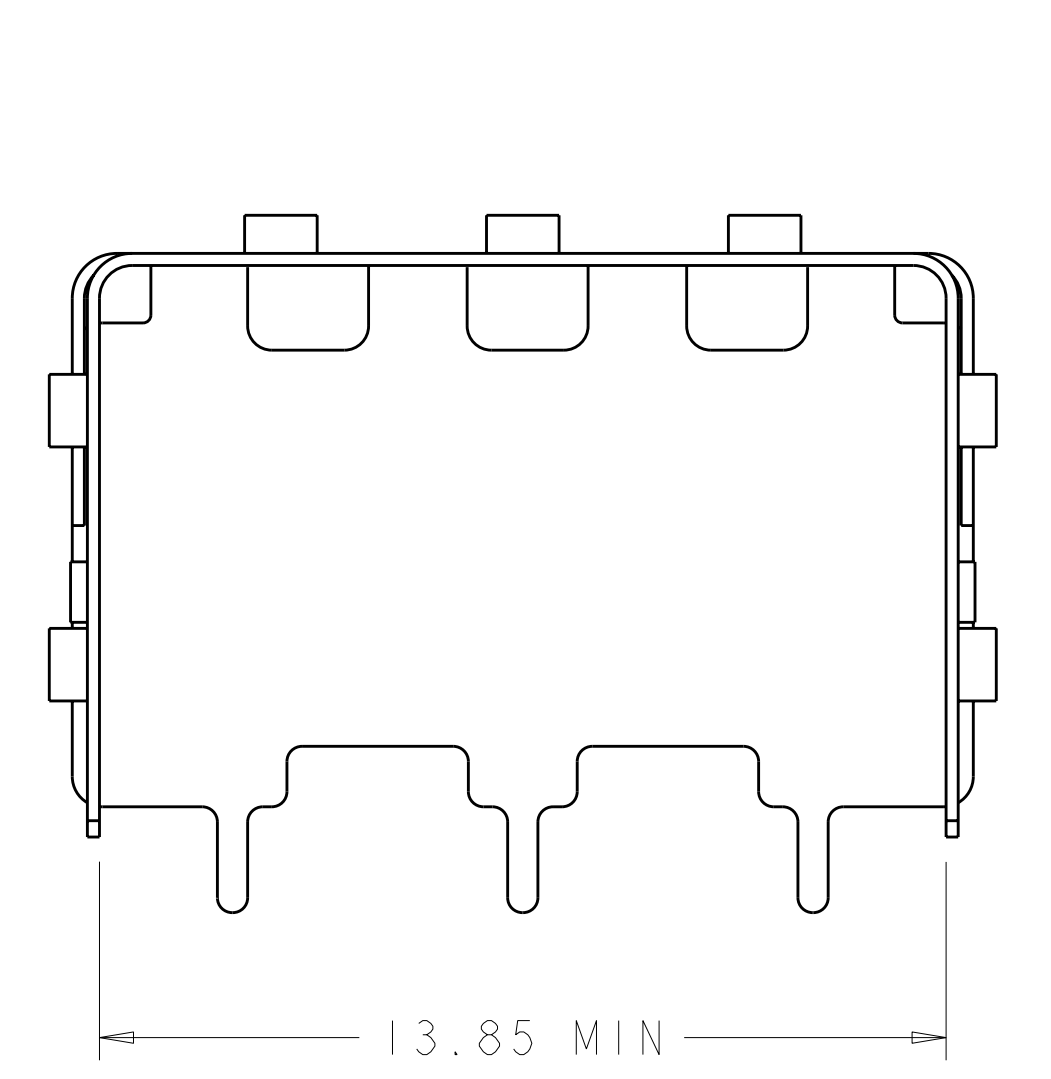
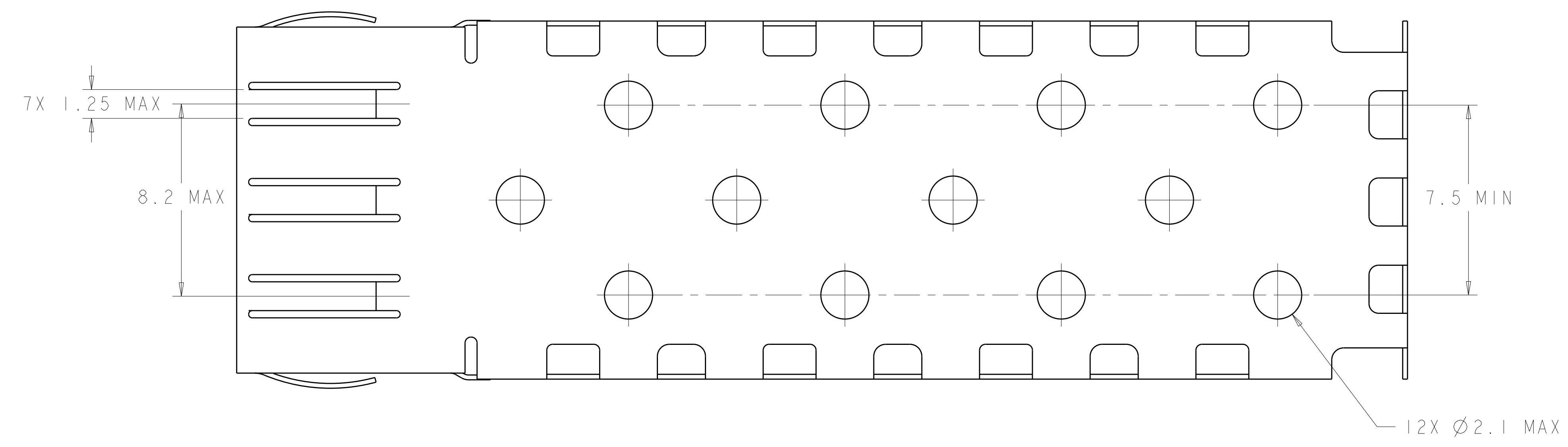


LOC	DIST	REVISIONS			
GP	00	REV	DATE	DWN	APVD
		B1	REVISD PER ECO-11-005033	21MAR2011	RK HMR



SCALE 3:1

- △ COPPER ALLOY, 0.2 THICK.
- △ 1.25 MICROMETERS MIN TIN OVER 0.125 MICROMETERS MIN NICKEL. BARE EDGES PERMISSIBLE.
- 3. PACKAGED 60 PIECES PER TRAY.



6367035-1
PART NUMBER

THIS DRAWING IS A CONTROLLED DOCUMENT.		DWN: J. GEBACE 27JAN05	TE Connectivity	
DIMENSIONS: mm		CHK: J. KOPPENHEFFER 27JAN05		
TOLERANCES UNLESS OTHERWISE SPECIFIED:		APVD: -	NAME: CAGE, TOP SFP	
0 PLC ± 1 PLC ± 2 PLC ± 3 PLC ± 4 PLC ± ANGLES ± FINISH ±		PRODUCT SPEC: 108-1950	SIZE: A100779	
MATERIAL: △		APPLICATION SPEC: 114-13017	CAGE CODE: C-6367035	
FINISH: △		WEIGHT: -	RESTRICTED TO: -	
CUSTOMER DRAWING		SCALE: 8:1	SHEET 1 OF 1 REV: B1	