

**Product number FA11449_LED1-M2**

Family	Leila	FWHM	(simulated) 28
Type	Assembly	Efficiency	-
LED	XR-E	cd/lm	-
Color	Black	Gerber File	Available
Diameter	21.6 mm		
Height	16.5 mm		
Style	Round		
Optic Material	PMMA		
Holder Material	-		
Fastening	["tape"]		
Status	Production ready		

**Product number FCN11459_LED1-M2**

Family	Leila	FWHM	(simulated) 28
Type	Pack	Efficiency	-
LED	XR-E	cd/lm	-
Color	White	Gerber File	Available
Diameter	21.6 mm		
Height	16.5 mm		
Style	Round		
Optic Material	PMMA		
Holder Material	-		
Fastening	["glue"]		
Status	Production ready		

**Product number FA10653_LED1-RS**

Family	Leila	FWHM	6 degrees
Type	Assembly	Efficiency	-
LED	XR-E	cd/lm	-
Color	Black	Gerber File	Available
Diameter	21.6 mm		
Height	16.5 mm		
Style	Round		
Optic Material	PMMA		
Holder Material	-		
Fastening	["tape"]		
Status	Production ready		

**Product number FCN10808_LED1-RS**

Family	Leila	FWHM	6 degrees
Type	Pack	Efficiency	-
LED	XR-E	cd/lm	-
Color	White	Gerber File	Available
Diameter	21.6 mm		
Height	16.5 mm		
Style	Round		
Optic Material	PMMA		
Holder Material	-		
Fastening	["glue"]		
Status	Production ready		

**Product number FA10655_LC1-D**

Family	Leila	FWHM	10 degrees
Type	Assembly	Efficiency	-
LED	XR-E	cd/lm	-
Color	Black	Gerber File	Available
Diameter	21.6 mm		
Height	16.5 mm		
Style	Round		
Optic Material	PMMA		
Holder Material	-		
Fastening	["tape"]		
Status	Production ready		

**Product number FCN10810_LC1-D**

Family	Leila	FWHM	10 degrees
Type	Pack	Efficiency	-
LED	XR-E	cd/lm	-
Color	White	Gerber File	Available
Diameter	21.6 mm		
Height	16.5 mm		
Style	Round		
Optic Material	PMMA		
Holder Material	-		
Fastening	["glue"]		
Status	Production ready		

**Product number FCN11104_LC1-O-90**

Family	Leila	FWHM	10+42 degrees
Type	Pack	Efficiency	85 %
LED	XR-E	cd/lm	-
Color	White	Gerber File	Available
Diameter	21.6 mm		
Height	16.5 mm		
Style	Round		
Optic Material	PMMA		
Holder Material	-		
Fastening	["glue"]		
Status	Production ready		

**Product number FA11105_LC1-O-90**

Family	Leila	FWHM	10+42 degrees
Type	Assembly	Efficiency	-
LED	XR-E	cd/lm	-
Color	Black	Gerber File	Available
Diameter	21.6 mm		
Height	16.5 mm		
Style	Round		
Optic Material	PMMA		
Holder Material	-		
Fastening	["tape"]		
Status	Production ready		

**Product number FA10654_LC1-REC**

Family	Leila	FWHM	22+42 degrees
Type	Assembly	Efficiency	-
LED	XR-E	cd/lm	-
Color	Black	Gerber File	Available
Diameter	21.6 mm		
Height	16.5 mm		
Style	Round		
Optic Material	PMMA		
Holder Material	-		
Fastening	["tape"]		
Status	Production ready		

**Product number FCN11372_LC1-MD**

Family	Leila	FWHM	24 degrees
Type	Pack	Efficiency	90 %
LED	XR-E	cd/lm	-
Color	White	Gerber File	Available
Diameter	21.6 mm		
Height	16.5 mm		
Style	Round		
Optic Material	PMMA		
Holder Material	-		
Fastening	["glue"]		
Status	Production ready		

**Product number FA11373_LC1-MD**

Family	Leila	FWHM	24 degrees
Type	Assembly	Efficiency	-
LED	XR-E	cd/lm	-
Color	Black	Gerber File	Available
Diameter	21.6 mm		
Height	16.5 mm		
Style	Round		
Optic Material	PMMA		
Holder Material	-		
Fastening	["tape"]		
Status	Production ready		

**Product number CA11138_LC2-M**

Family	Leila	FWHM	26 degrees
Type	Assembly	Efficiency	(simulated) 93 %
LED	XR-E	cd/lm	(simulated) 4.000
Color	White	Gerber File	Available
Diameter	21.6 mm		
Height	16.5 mm		
Style	Round		
Optic Material	PMMA		
Holder Material	-		
Fastening	["glue"]		
Status	Production ready		

**Product number FA10652_LED1-M**

Family	Leila	FWHM	28 degrees
Type	Assembly	Efficiency	-
LED	XR-E	cd/lm	-
Color	Black	Gerber File	Available
Diameter	21.6 mm		
Height	16.5 mm		
Style	Round		
Optic Material	PMMA		
Holder Material	-		
Fastening	["tape"]		
Status	Production ready		

**Product number FCN10807_LED1-M**

Family	Leila	FWHM	28 degrees
Type	Pack	Efficiency	-
LED	XR-E	cd/lm	-
Color	White	Gerber File	Available
Diameter	21.6 mm		
Height	16.5 mm		
Style	Round		
Optic Material	PMMA		
Holder Material	-		
Fastening	["glue"]		
Status	Production ready		

**Product number FCN10809_LED1-REC**

Family	Leila	FWHM	42+22 degrees
Type	Pack	Efficiency	-
LED	XR-E	cd/lm	-
Color	White	Gerber File	Available
Diameter	21.6 mm		
Height	16.5 mm		
Style	Round		
Optic Material	PMMA		
Holder Material	-		
Fastening	["glue"]		
Status	Production ready		

**Product number FA11045_LED1-W**

Family	Leila	FWHM	54 degrees
Type	Assembly	Efficiency	-
LED	XR-E	cd/lm	-
Color	Black	Gerber File	Available
Diameter	21.6 mm		
Height	16.5 mm		
Style	Round		
Optic Material	PMMA		
Holder Material	-		
Fastening	["tape"]		
Status	Production ready		

**Product number** FA11134_LC1-W

Family	Leila	FWHM	54 degrees
Type	Assembly	Efficiency	-
LED	XR-E	cd/lm	-
Color	Black	Gerber File	Available
Diameter	21.6 mm		
Height	14.6 mm		
Style	Round		
Optic Material	PC,PMMA		
Holder Material	-		
Fastening	["tape"]		
Status	Production ready		

NOTE: The typical divergence will be changed by different color, chip size and chip position tolerance. The typical total divergence is the full angle measured where the luminous intensity is half of the peak value.



PRODUCT DATASHEET

Leila series

last update 11/6/2012

GENERAL INFORMATION

- Product series especially designed & optimized for XR-E series of LEDs.
- Special care taken to make light distribution as uniform as possible.
- Lens material optical grade PMMA with high UV and temperature resistance. Allows use of high current and temperature conditions.

Please find more information about used material from below:

http://ledil.fi/sites/default/files/Documents/Technical/Material/PMMA%20N%20UL94_Yellow%20Card.pdf

<http://ledil.fi/sites/default/files/Documents/Technical/Material/PMMA%20N%20PLEXIGLAS-Datasheet.pdf>

D

C

B

A

4

4

3

3

2

2

1

1

Lens

Holder

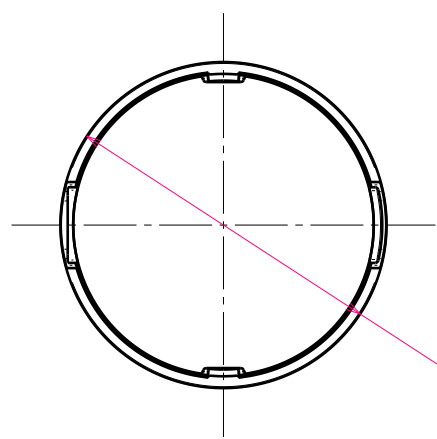
Tape 0,2mm

16.5

Side view

Top view

Ø21.6



MATERIALS
 Lens: PMMA
 Holder: PC
 Tape: PU Foam

Part no.s:
 FA10652_LC1-M
 FA10653_LC1-RS
 FA10654_LC1-REC
 FA10655_LC1-D
 FA11045_LC1-W-Tape
 FA11105_LC1-O-90
 FA11373_LC1-MD-Tape
 FA11449_LC1-M2

This drawing is our property.
 It can't be reproduced
 or communicated without
 our written agreement.



L
T
F
F

e
e
i
i
N
n

d

h

DRAWING TITLE

Datasheet Assembly LC1-series

DRAWN BY
p

DATE
17.01.2011

CHECKED BY
t k

DATE
25.09.2008

SIZE
A4

DRAWING NUMBER
-

REV
1

DESIGNED BY
HH

DATE
24.07.2008

SCALE 2:1

WEIGHT (g) -

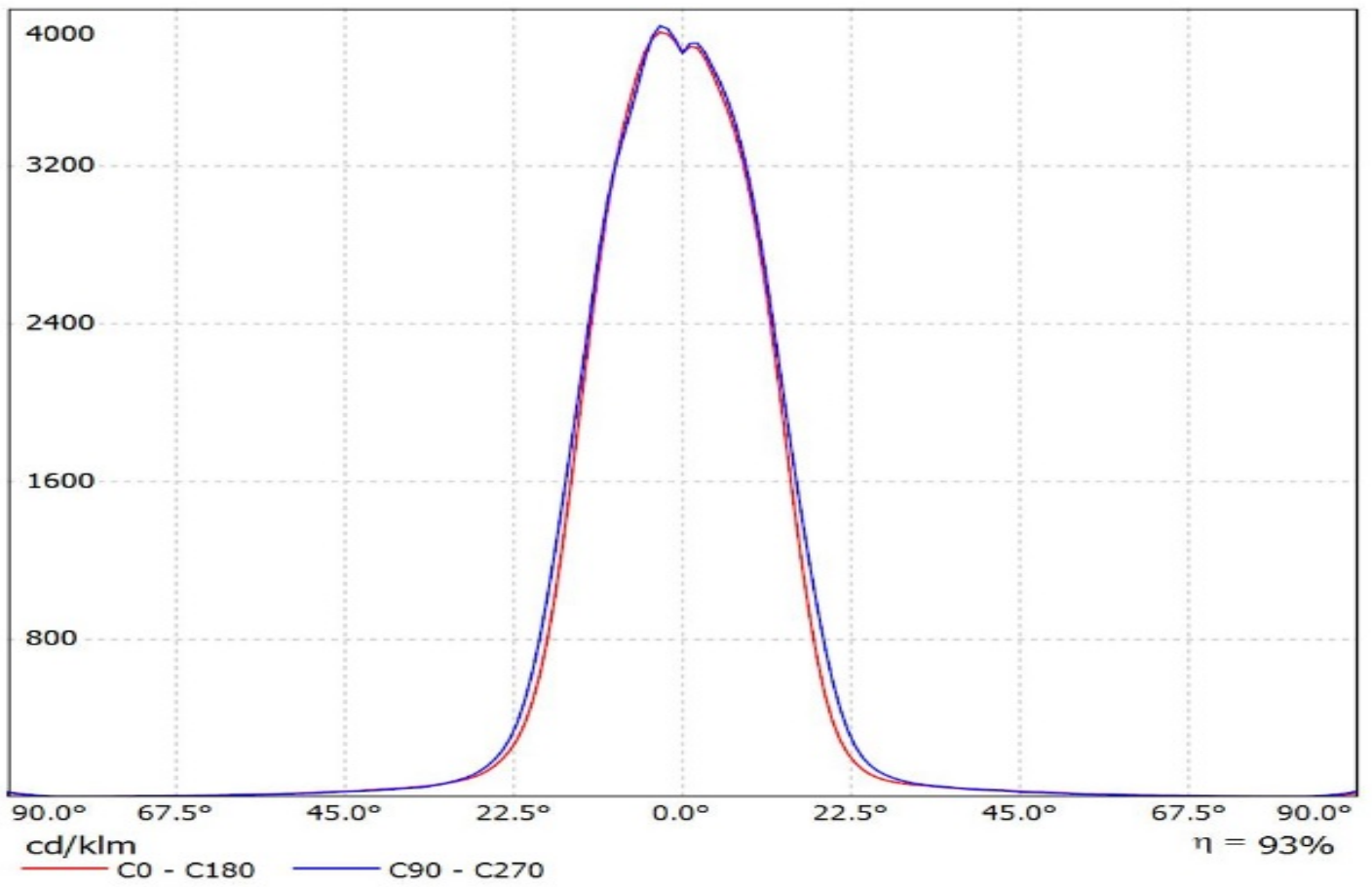
SHEET

1/1

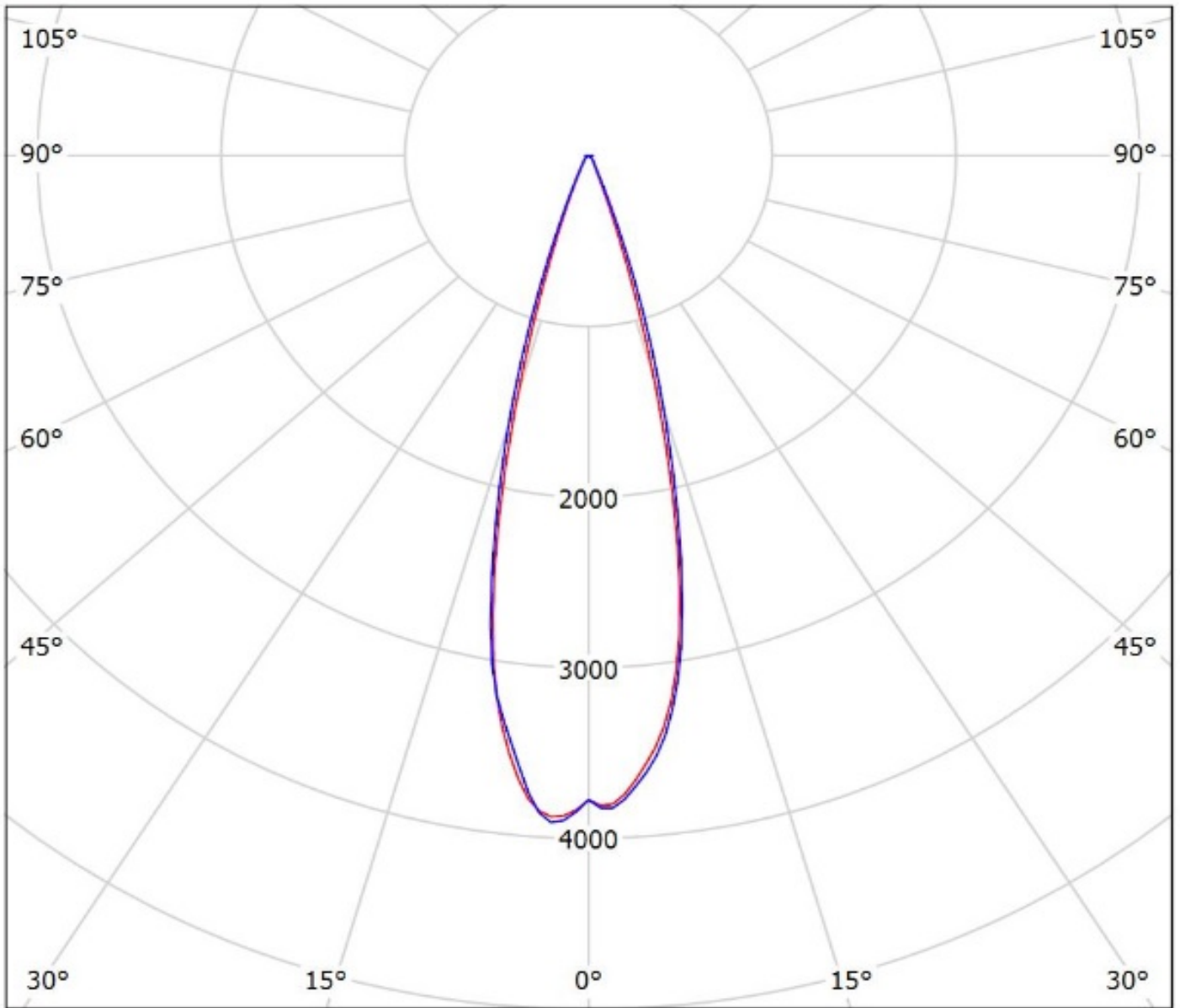
D

A

Luminaire: Ledil Oy CA11138_LC2-M_(XR-E)_SIMULATED
Lamps: 1 x Cree XR-E



Luminaire: Ledil Oy CA11138_LC2-M_(XR-E)_SIMULATED
Lamps: 1 x Cree XR-E



cd/klm

— C0 - C180 — C90 - C270

$\eta = 93\%$