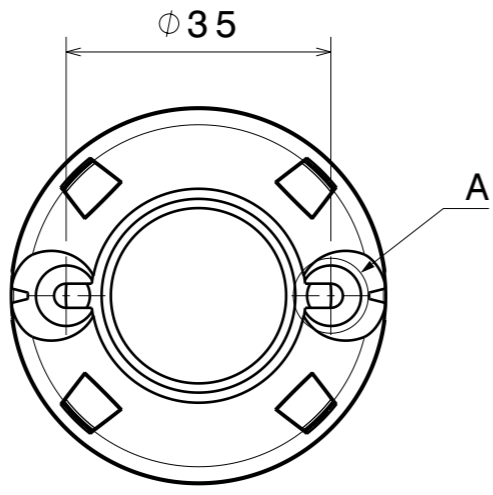


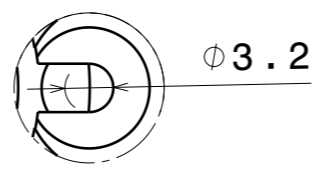
H G F E D C B A

4

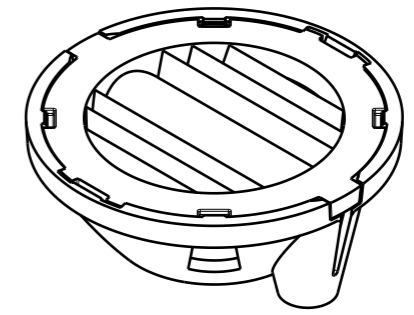
4



Bottom view



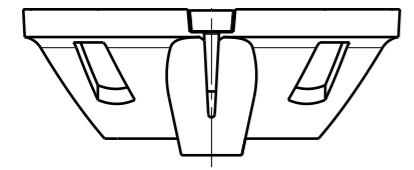
Detail A



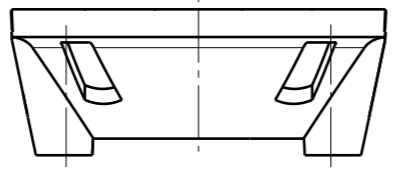
Isometric view

3

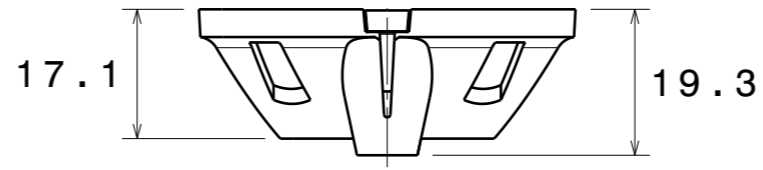
3



Right view



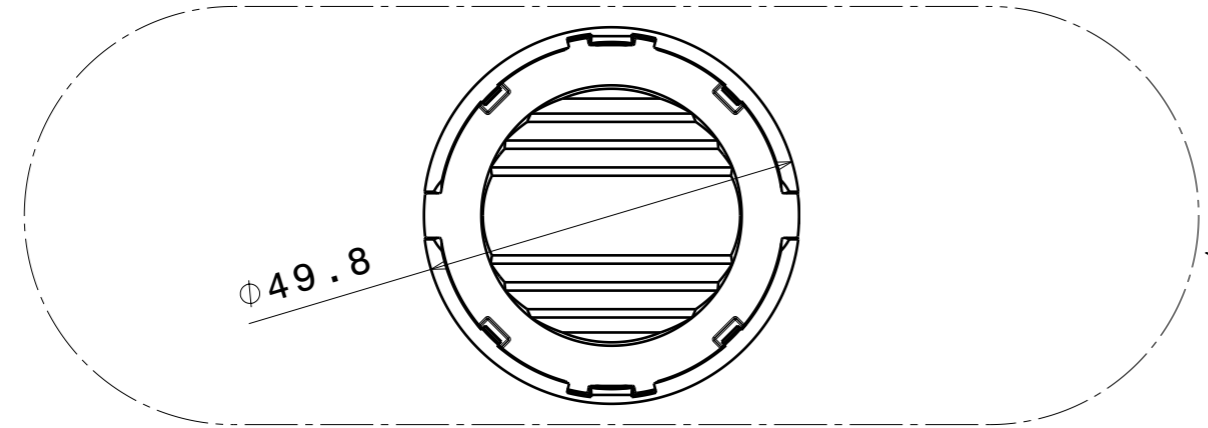
Front view



Left view

2

2



Top view

Oval beam direction

1

1

<p>Tolerances if not otherwise shown According to DIN ISO 2768-1 Linear measures: up to 30mm class M, otherwise class C According to DIN ISO 2768-2 Form and position: class L</p>		<p>LEDiL LediL Oy Salorankatu 10 FIN 24240 SALO Finland</p>	
<p>THIRD ANGLE PROJECTION: </p>		<p>DRAWING TITLE WINNIE-0 Datasheet</p>	
<p>This drawing is the property of LEDiL Oy. It may not be reproduced, copied or communicated without a written agreement with LEDiL Oy.</p>		<p>SIZE A3</p>	<p>PART NUMBER CN14811</p>
		<p>SCALE 1:1</p>	<p>WEIGHT -</p>
		<p>SHEET 1/1</p>	

H G F E D C B A