

MATED WITH:
PASSEND ZU:
-

LOC
IR

DIST
-

PROJEKT NR.: -

P

LTR

A3
A4

ECR-10-022530
PN 726308-3 OBSOLETE

REVISIONS
ÄNDERUNGEN
DESCRIPTION
BESCHREIBUNG

DATE

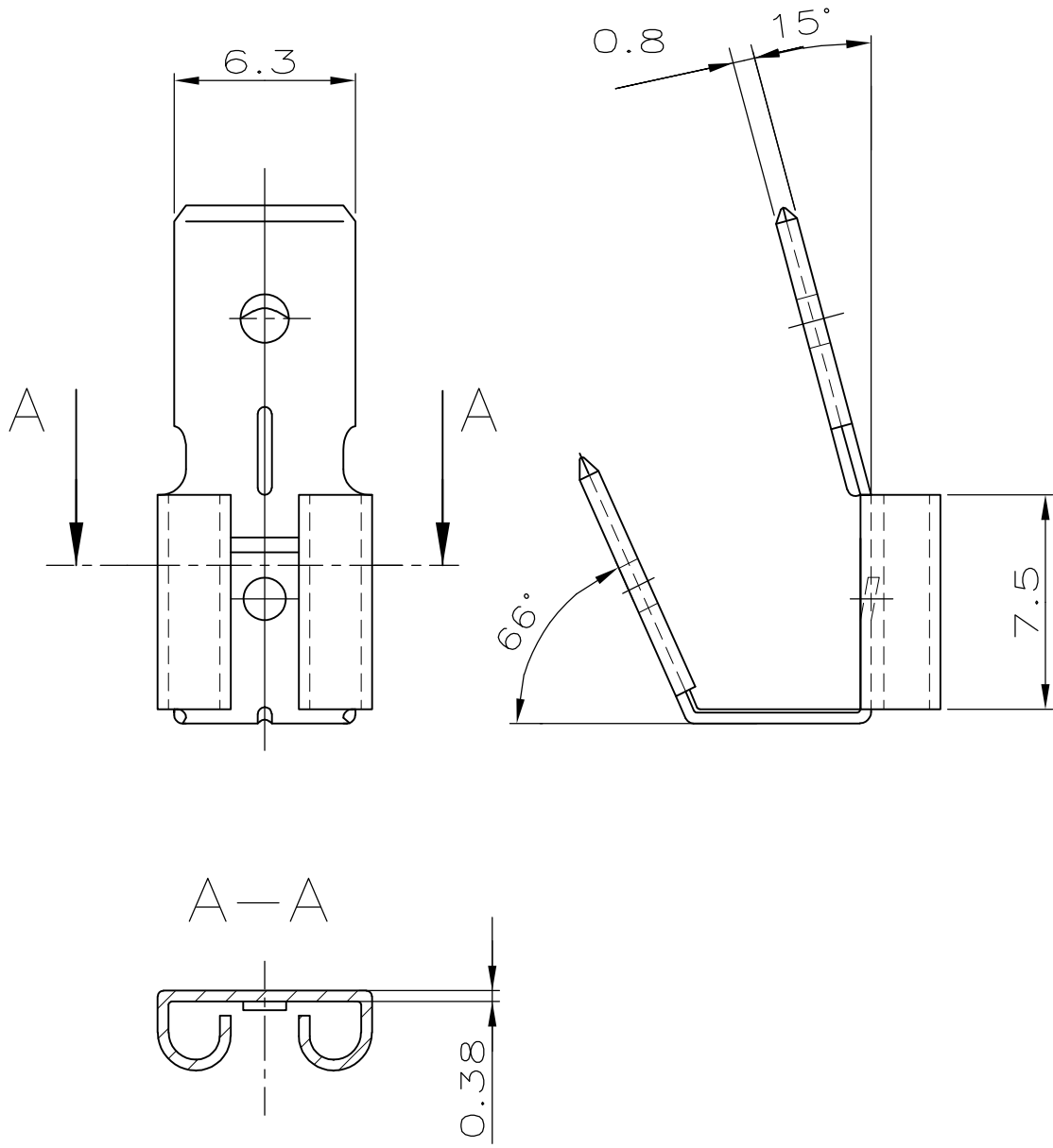
DWN

APVD

21FEB11
27JAN2012


KK
PKS

HMR
RRP



726308-3	A	-	Cu Sn	Sn 3	OBSOLETE
726308-2	A	-	Cu Zn	Sn 3	OBSOLETE
-	726308-1	A	Cu Zn	PLAIN/blank	-

CUSTOMER PART NO	TE PART NO	REV.	PCS.	MATERIAL	SURFACE COLOR	DESCRIPTION
------------------	------------	------	------	----------	---------------	-------------

DIMENSIONS: DIMENSIONEN: mm TOLERANCES UNLESS OTHERWISE SPECIFIED: ALLGEMEINTOLERANZEN n. ISO 2768 - mH -E 0 PLC ± - 1 PLC ± - 2 PLC ± - 3 PLC ± - 4 PLC ± - ANGLES / WINKEL ± -	DWN B.Mahnke 16-MAY-01	MATERIAL -	FINISH OBERFLAECHE/FARBE -		
	CHK C.Goepfel 16-MAY-01	 TE Connectivity			
APVD -	NAME RECEPTACLE .250 SERIES WITH DOUBLE TAB Steckaufnahme .250 Serie m.dopp.Tabaufnahme				
PRODUCT SPEC PRODUKTSPEZ. -	SIZE A4	CAGE CODE 00779	DRAWING NO ZEICHNUNGS-NR. 726308	RESTRICTED TO NUR FUER -	
APPLICATION SPEC VERARBEITUNGSSPEZ. -	CUSTOMER DRAWING / KUNDENZEICHNUNG		SCALE MASSSTAB 4:1	SHEET BLATT 1 OF VON 1	REV A4
WEIGHT GEWICHT -					

RELEASED FOR PUBLICATION
FREI FUER VEROFFENTLICHUNG
ALL RIGHTS RESERVED.

 THIS DRAWING IS UNPUBLISHED.
VERTRAULICHE UNVEROFFENTLICHTE ZEICHNUNG.
COPYRIGHT - By -