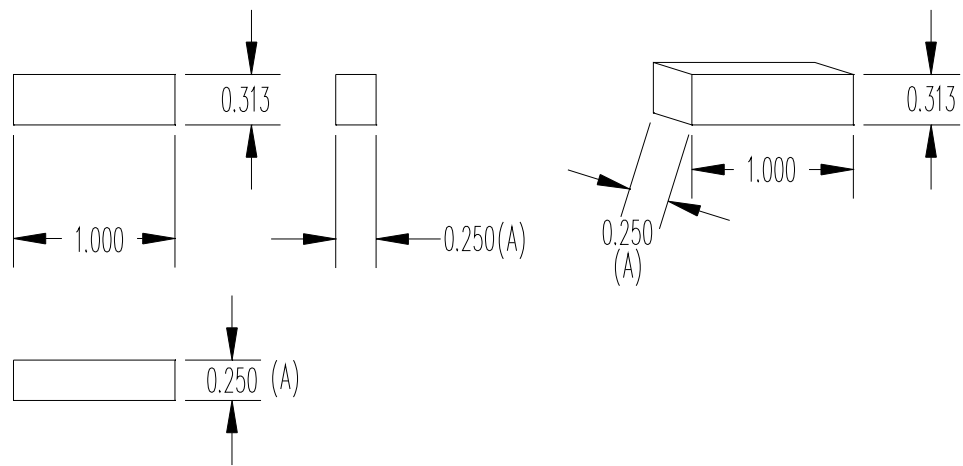
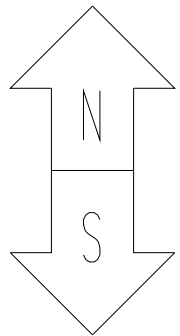


| REVISIONS | | | |
|-----------|-----------------|------|----------|
| LTR | DESCRIPTION | DATE | APPROVED |
| - | INITIAL RELEASE | | H D |
| | | | |
| | | | |



| | | | | | |
|--|--|---|-----------------|--------------------------|--|
| UNLESS OTHERWISE SPECIFIED DIMENSIONS ARE IN INCHES | | RADIAL MAGNET INC. | | | |
| | | 108B NW 20th St. BOCA RATON, FL 33431 (561)392-2103 | | | |
| TOLERANCES: FRACTIONS: $\pm 1/64$ DECIMALS: ± 0.015 ANGLES: $\pm 1^\circ$ | | SHAPE BLOCK | STRENGTH N35 | PLATING NICKEL PLATED | SIZE AND DIRECTION OF MAGNETIZATION(A) 1" x 5/16" x 1/4"(A) |
| MATERIAL: NdFeB | | SIZE A | ITEM # 8029 | DRAWING # RM8029 | REVISION - |
| FINISH: NiCuNi | | SCALE 1 : 1 | DRAWN: CG | CHECKED: HD | APPROVED: HD |
| | | | | PAGE 1 OF | |