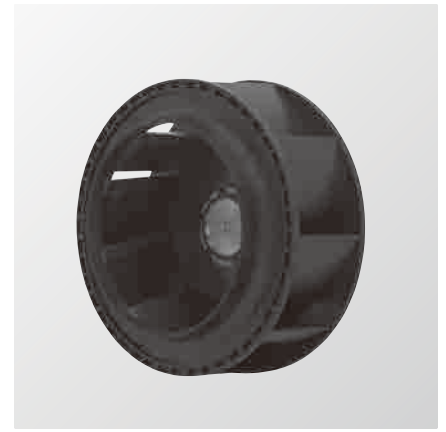


**φ133mm**

# San Ace C133



## General Specifications

- Material..... Motor case: Aluminum,  
Impeller: Plastics (Flammability: UL94V-0)
- Expected Life ..... Refer to specifications (L10:Survival rate: 90% at 60°C ,  
rated voltage, and continuously run in a free air state)
- Lead Wire ..... ⊕red ⊖black (Sensor) yellow (Control) brown
- Storage Temperature ..... -30°C to +70°C (Non-condensing)

**φ133mm×91mm** (Mass : 660g) **9TJ type**

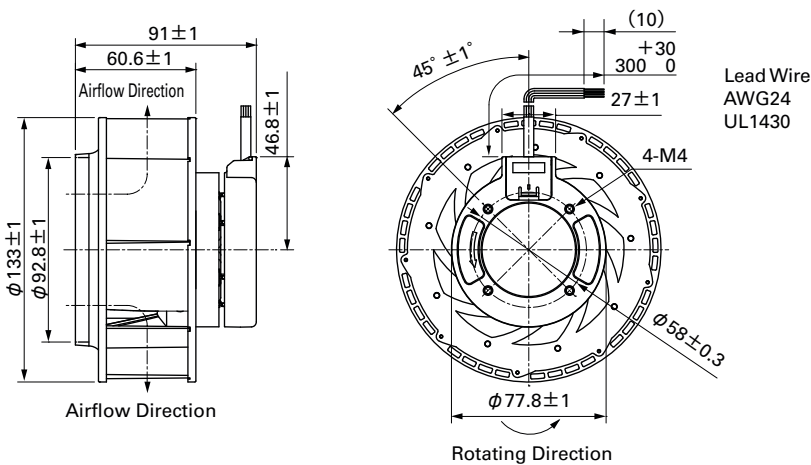
**Specifications** When our inletnozzle [Option (Model : 109-1069)] is mounted. The following nos. **have PWM controls and pulse sensors.**

Model No.	Rated Voltage [V]	Operating Voltage Range [V]	PWM duty cycle <sup>Note①</sup> [%]	Rated Current [A]	Rated Input [W]	Rated Speed [min <sup>-1</sup> ]	Max. Airflow [m <sup>3</sup> /min] [CFM]	Max. Static Pressure [Pa] [inchH <sub>2</sub> O]	SPL [dB(A)]	Operating Temperature [°C]	Expected Life [h]
<b>9TJ24P0H61</b>	24	20.4 to 27.6	100	1.2	28.8	4,150	6.39 226	395 1.59	61	-20 to +70	40,000/60°C
<b>9TJ48P0H01</b>	48	36 to 72	100	0.55	26.4	4,150	6.39 226	395 1.59	61		

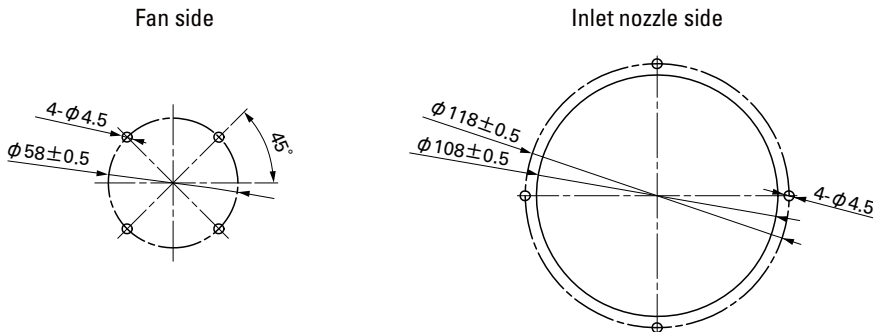
Note : Fan does not rotate when PWM duty cycle is 0%.

\*PWM Frequency : 25kHz

## Dimensions (unit: mm)



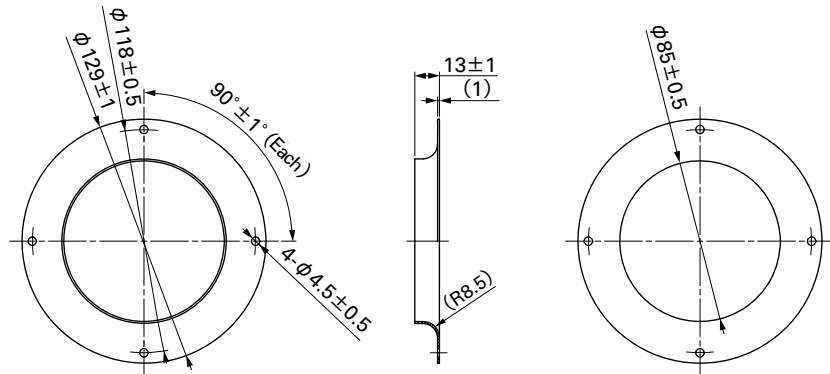
## Reference Dimensions of Mounting Holes and Vent Opening (unit: mm)



**Options (unit: mm)**

**Inlet Nozzle**

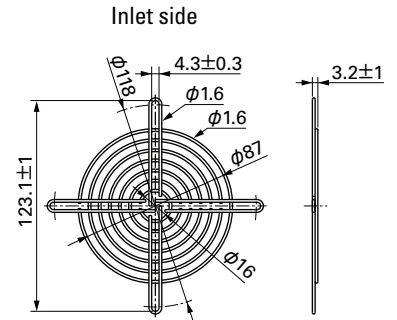
Model : 109-1069 Material : Steel sheet Surface treatment : Electro nickel plating Color (silver)  
 : 109-1069H : Steel sheet : Cation electropainting (black)



Mass : 76g

**Finger Guards**

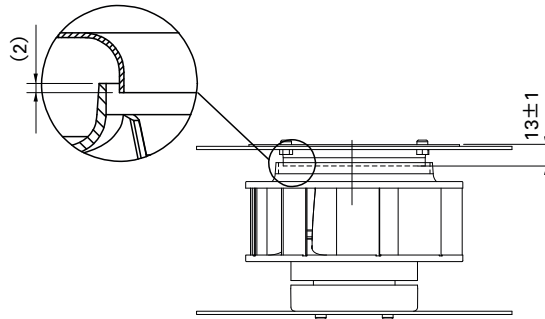
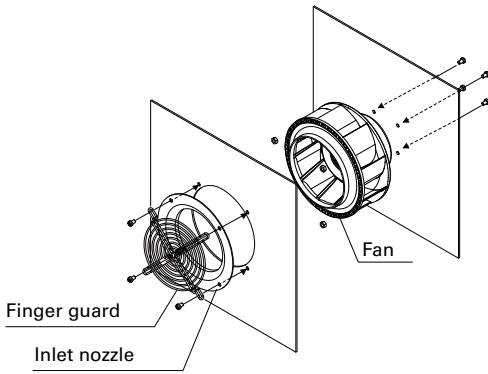
Model : 109-1112 Surface treatment : Nickel-chrome plating (silver) Color (silver)



Mass : 65g

Inlet nozzle : Nozzle mounted in fan inlet side to adjust the flow of introduced air

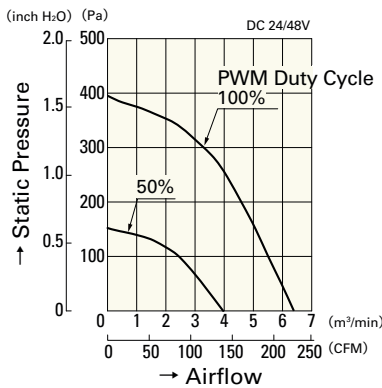
**Reference Diagram for Mounting**



The screw length is 6mm less or equal from fan edge side.

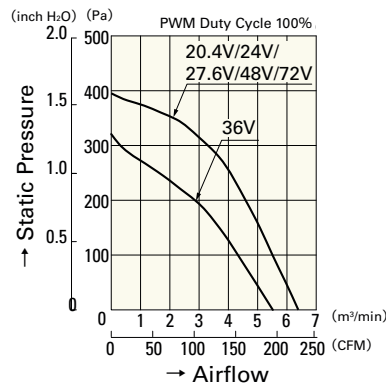
**Airflow - Static Pressure Characteristics**

**PWM Duty Cycle**



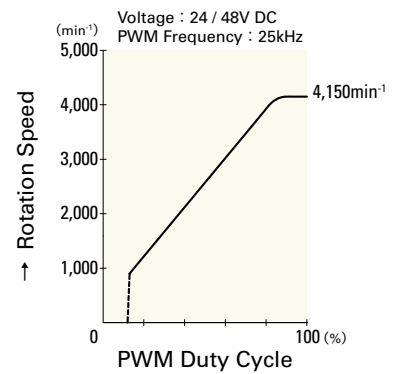
**9TJ24P0H61**  
**9TJ48P0H01**

**Operating Voltage Range**



**9TJ24P0H61**  
**9TJ48P0H01**

**PWM Duty Speed Characteristics Example**



**9TJ24P0H61**  
**9TJ48P0H01**