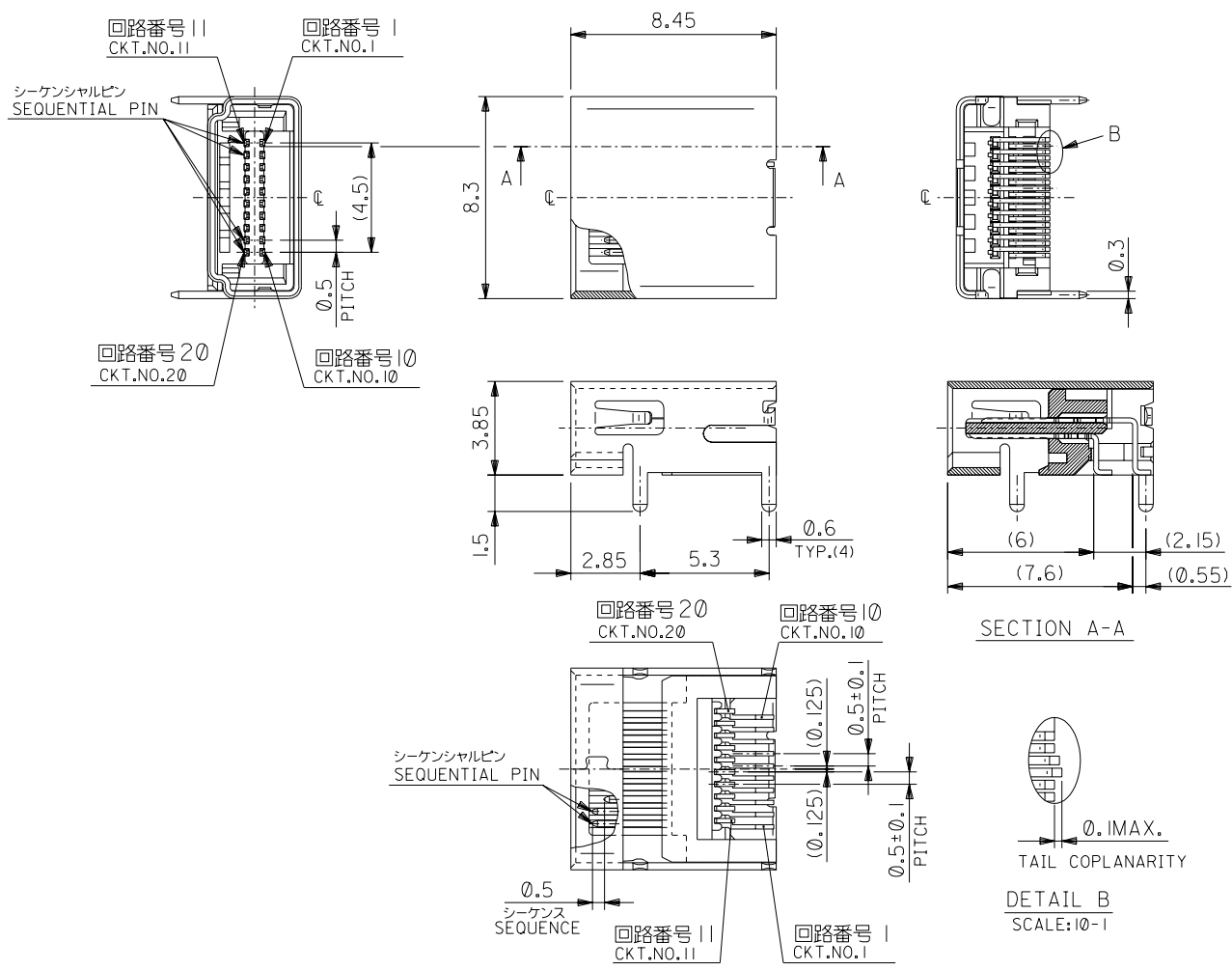


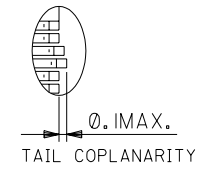
DWG. NO. SD-501014-001



NOTE:

- 適合リセ番号: 54944-20**, 51283-20**
(R/A TYPE) (STRAIGHT TYPE)
APPLICABLE REC. NO.: 54944-20**, 51283-20**
(R/A TYPE) (STRAIGHT TYPE)
- 材質
MATERIAL
 - ハウジング: ガラス入り耐熱樹脂
94V-0, 黒色
HOUSING: G.F.HEAT RESISTANT PLASTIC
94V-0,BLACK COLOR
 - ターミナル: 銅合金
TERMINAL COPPER ALLOY
 - プラグ シールド: ステンレス鋼
PLUG SHIELD STAINLESS STEEL
- メッキ仕様
PLATING
 - ターミナル
TERMINAL
 - 接点部: 金メッキ 0.1 MICROMETER MIN.
CONTACT AREA GOLD
: パラジウムニッケルメッキ 0.2 MICROMETER MIN.
PALLADIUM-NICKEL
 - 半田付け部: 錫メッキ 1.0 MICROMETER MIN.
SOLDER TAIL AREA TIN
 - 下地メッキ: ニッケルメッキ 1.5 MICROMETER MIN.
UNDER-PLATING NICKEL
 - プラグ シールド
PLUG SHIELD
 - 錫メッキ: 1.0 MICROMETER MIN.
TIN
 - 下地メッキ: ニッケルメッキ 1.0 MICROMETER MIN.
UNDER-PLATING NICKEL
- 本製品は 55768-20** の鉛フリー品である。
THIS PRODUCT IS LEAD FREE OF 55768-20**.

SECTION A-A

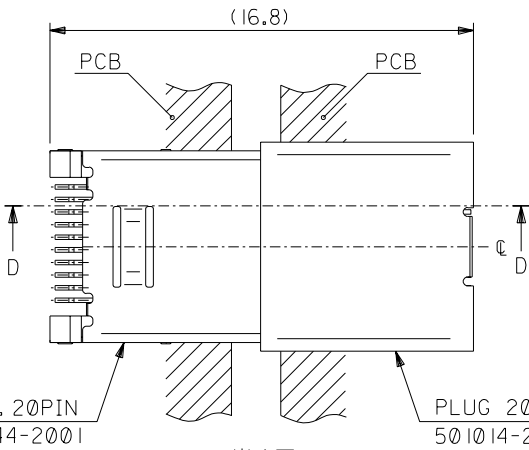


DETAIL B
SCALE: 10-1

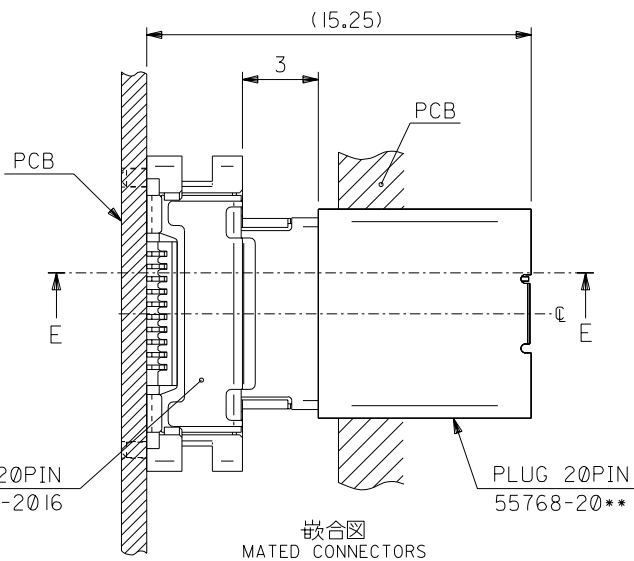
DO NOT SCALE DRAWING

EC NO. DRWN: CHK: APPR:		EC NO. DRWN: CHK: APPR:		EC NO. DRWN: CHK: APPR:		EC NO. DRWN: CHK: APPR:		EC NO. DRWN: CHK: APPR:		EC NO. 42004-4159 DRWN: T.UENO CHK: M.SASAO APPR: M.SASAO RELEASED '04/05/11		MATERIAL 材料 # FINISH 仕上げ # WIRE RANGE 適用電線範囲 # INS. RANGE 被覆外径 #		GENERAL TOLERANCES: (UNLESS SPECIFIED) 一般公差 10 UNDER 未満 ±0.2 10 OVER 以上 30 UNDER 未満 ±0.25 30 OVER 以上 ±0.3 ANGLE 角度 ±3°		SCALE 5-1 DESIGN UNITS <input checked="" type="checkbox"/> mm <input type="checkbox"/> INCH DRAWN BY & DATE T.UENO '04/05/11 CHECKED BY & DATE M.SASAO '04/05/11 APPROVED BY & DATE M.SASAO '04/05/11 CAD FILENAME SD-501014-001.S01		THIRD ANGLE PROJECTION <input checked="" type="checkbox"/> mm <input type="checkbox"/> INCH <input type="checkbox"/> mm <input type="checkbox"/> mm <input checked="" type="checkbox"/> mm ONLY TITLE: 0.5 I/O CONN. PLUG HS'G ASS'Y 20CKT. -LEAD FREE- MOLEX MOLEX INCORPORATED		DIMENSIONS: <input type="checkbox"/> mm <input type="checkbox"/> INCH <input type="checkbox"/> mm <input type="checkbox"/> mm <input checked="" type="checkbox"/> mm ONLY SHT 1 OF 2 REV REVISION ON CAD ONLY		MATERIAL NO. MODEL NO. 501014-2011 501014-20** DRAWING NO. SHEET NO. SD-501014-001 1 OF 2		THIS DRAWING CONTAINS INFORMATION THAT IS PROPRIETARY TO MOLEX INCORPORATED AND SHOULD NOT BE USED WITHOUT WRITTEN PERMISSION.		SIZE B	
----------------------------------	--	----------------------------------	--	----------------------------------	--	----------------------------------	--	----------------------------------	--	--	--	---	--	--	--	--	--	---	--	--	--	--	--	--	--	--------	--

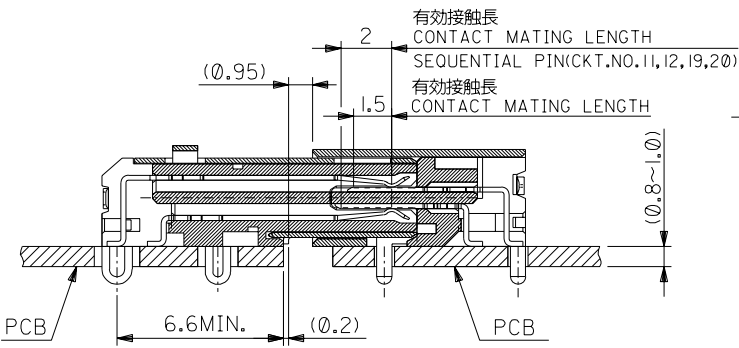
SD-501014-001.1.50



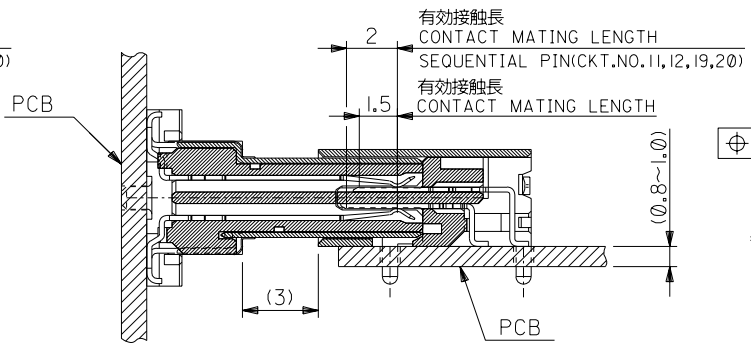
嵌合図
MATED CONNECTORS
リセ側：ライトアングルタイプ
REC. SIDE : R/A TYPE



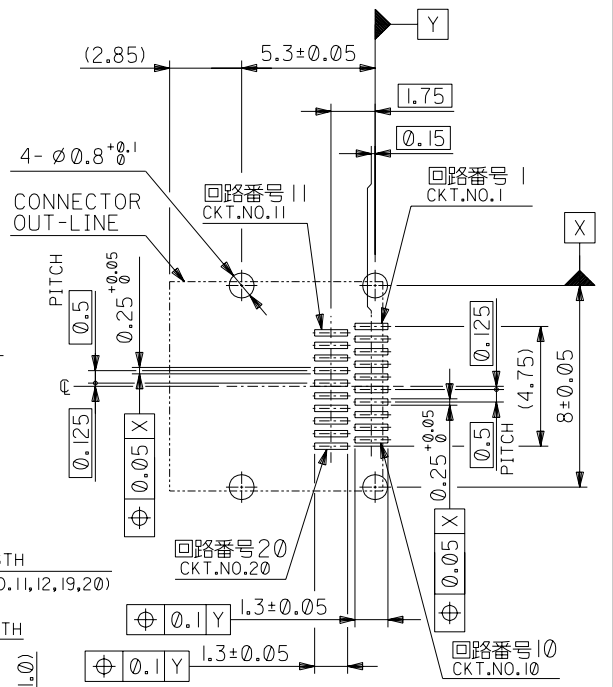
嵌合図
MATED CONNECTORS
リセ側：ストレートタイプ
REC. SIDE : STRAIGHT TYPE



SECTION D-D



SECTION E-E



基板穴推定寸法 (部品実装側)
RECOMMENDED P.C.B LAYOUT (MOUNTING SIDE)

DO NOT SCALE DRAWING

EC NO. DRWN: CH'K: APPR:		EC NO. DRWN: CH'K: APPR:		EC NO. DRWN: CH'K: APPR:		EC NO. DRWN: CH'K: APPR:		EC NO. DRWN: CH'K: APPR:		DIMENSIONS: <input type="checkbox"/> mm <input type="checkbox"/> INCH <input checked="" type="checkbox"/> mm ONLY		SHT	REV												
RELEASED '04/05/11		EC NO. U2004-4159		DRWN: T.UENO		CH'K: M.SASAO		APPR: M.SASAO		GENERAL TOLERANCES: (UNLESS SPECIFIED) 一般公差		5-1	DESIGN UNITS <input checked="" type="checkbox"/> mm <input type="checkbox"/> INCH	THIRD ANGLE PROJECTION <input checked="" type="checkbox"/> THIRD ANGLE	TITLE: 0.5 I/O CONN. PLUG HS'G ASS'Y 20CKT. -LEAD FREE-	SHT REVISE ON CAD ONLY									
WIRE RANGE 適用線径範囲		FINISH 仕上げ		MATERIAL 材料		10 UNDER 未満 ±0.2 10 OVER 30 UNDER 未満 ±0.25 30 OVER 以上 ±0.3		WIRE RANGE 適用線径範囲		ANGLE 角度 ±3°		DRAWN BY & DATE T.UENO '04/05/11		CHECKED BY & DATE M.SASAO '04/05/11		APPROVED BY & DATE M.SASAO '04/05/11		CAD FILENAME SD-501014-001.S02		MATERIAL NO. SEE CHART		DRAWING NO. SD-501014-001		SHEET NO. 2	
INS. RANGE 被覆外径												MOLEX INCORPORATED		THIS DRAWING CONTAINS INFORMATION THAT IS PROPRIETARY TO MOLEX INCORPORATED AND SHOULD NOT BE USED WITHOUT WRITTEN PERMISSION.		SIZE B									

