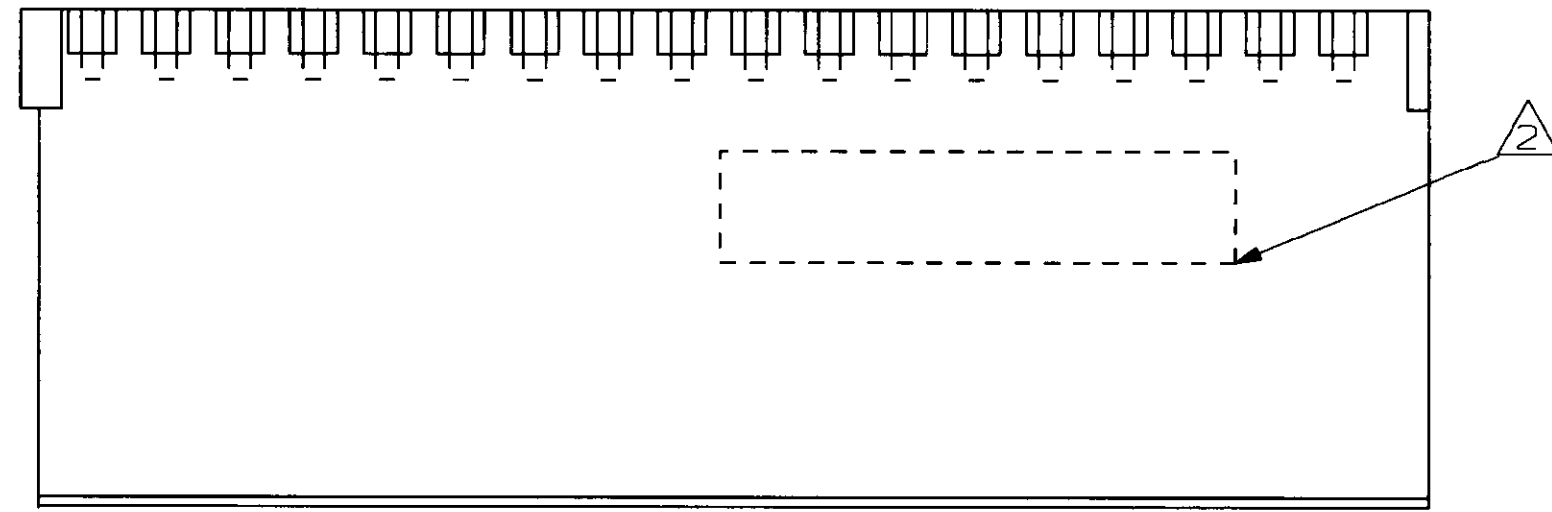


DO NOT SCALE
DIMENSIONS IN mm

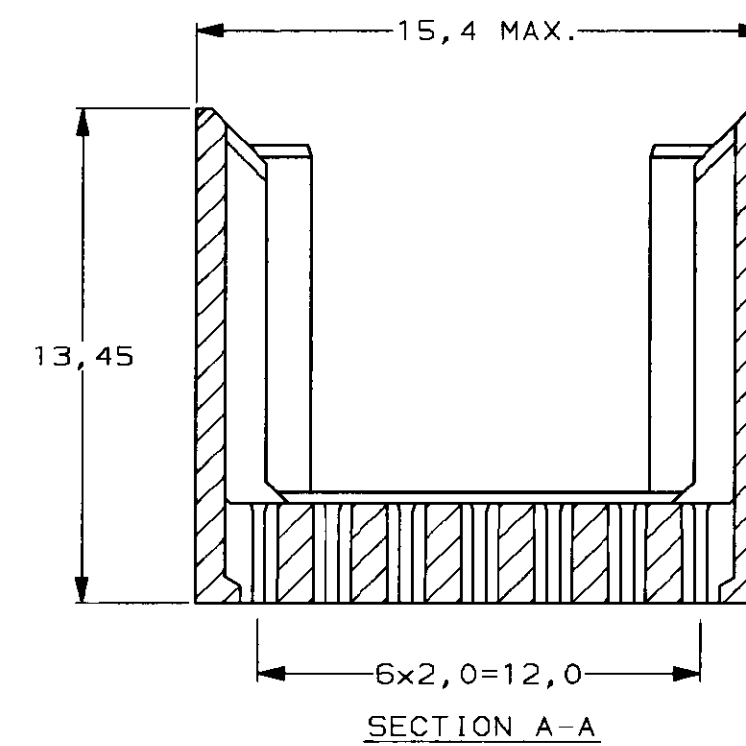
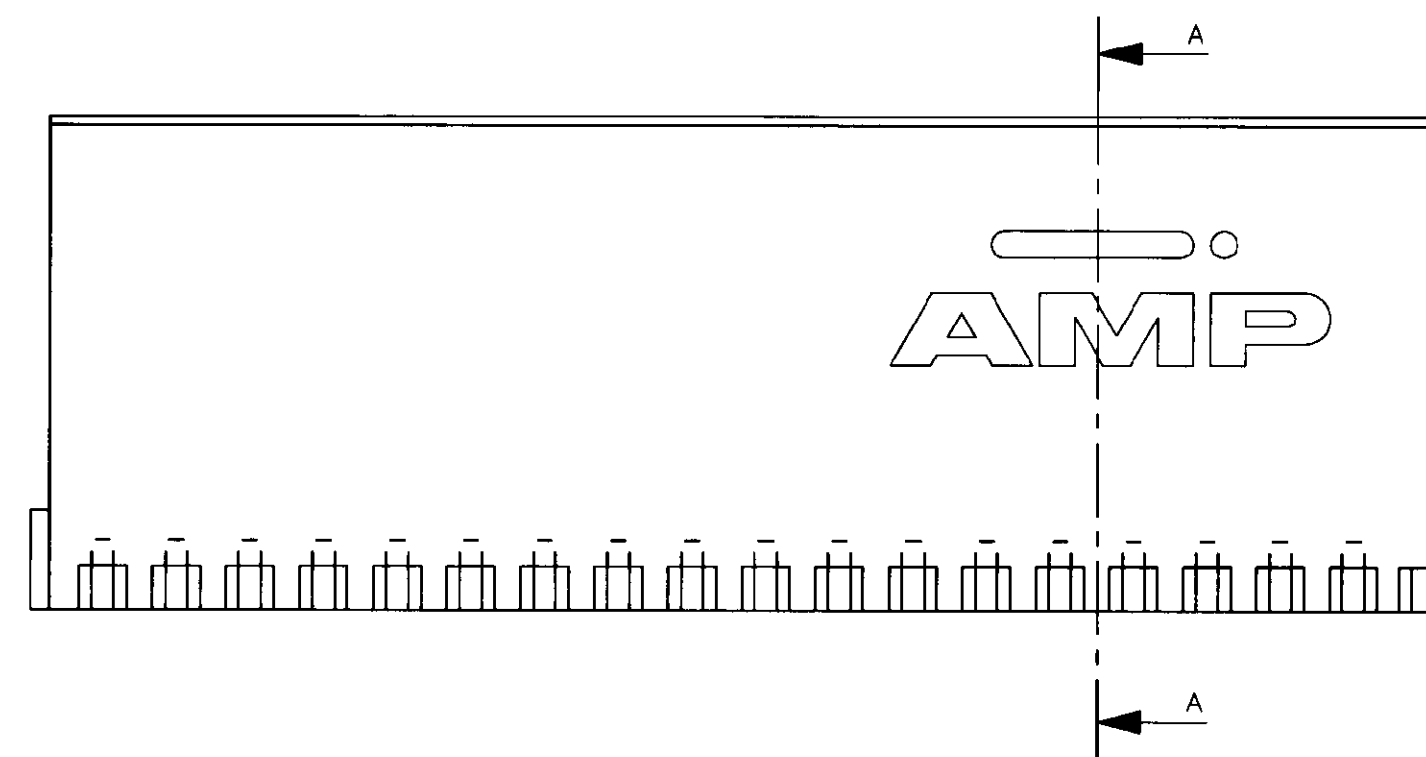
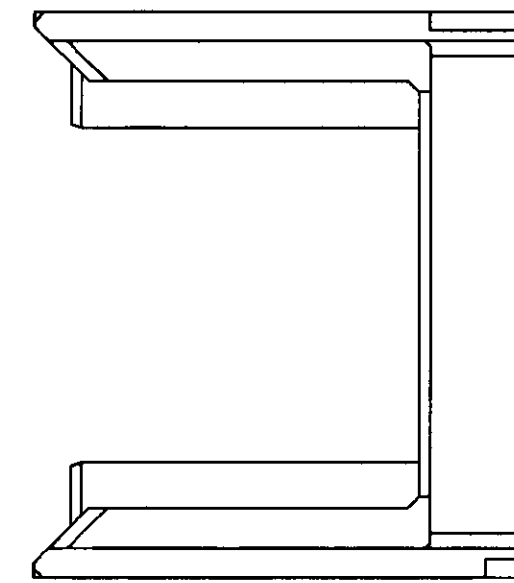
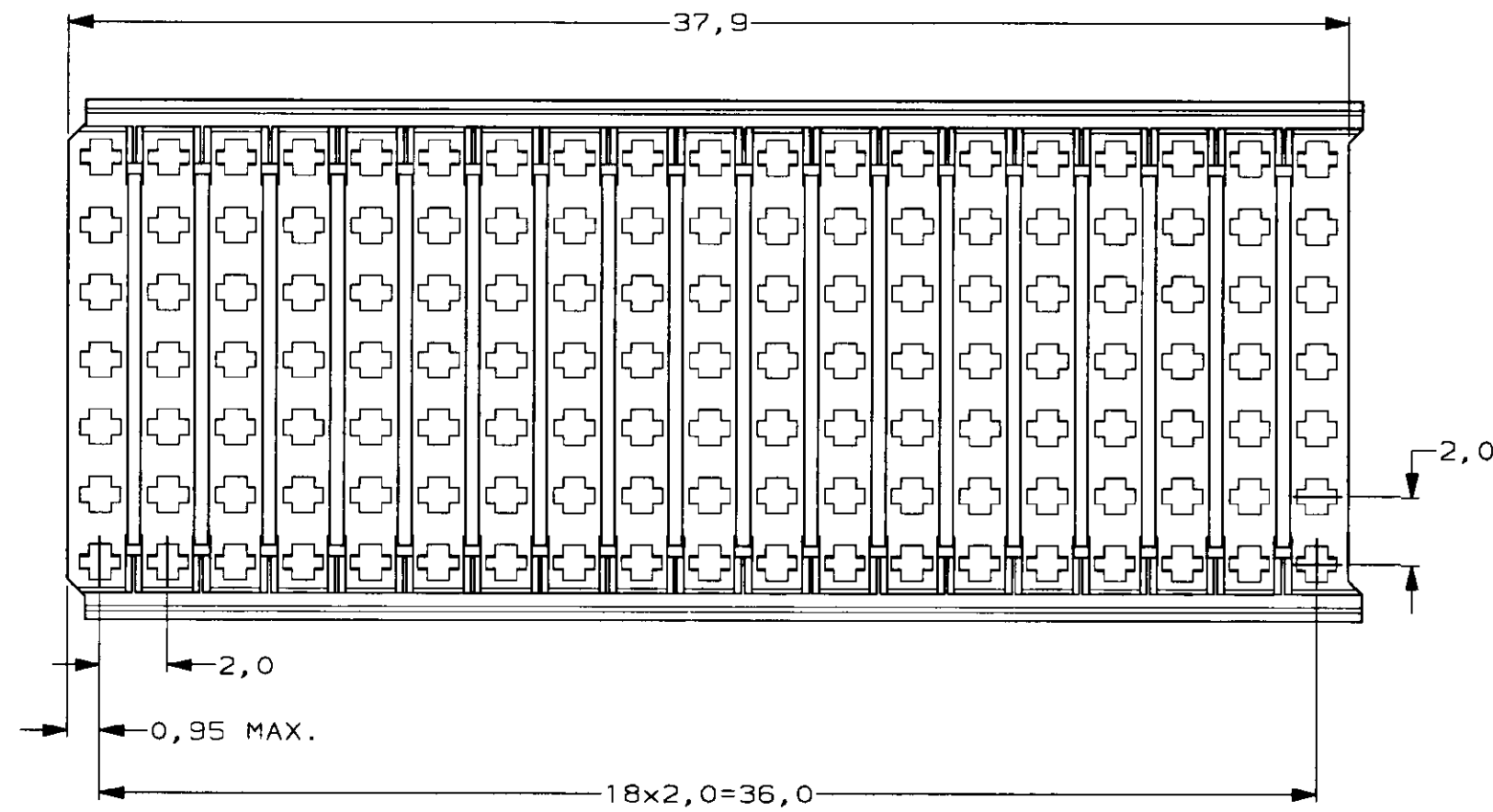
METRIC

THIRD ANGLE
PROJECTION




NOTES:

- 1 MATERIAL HOUSING: GLASSFILLED POLYESTER.
- 2 HOUSING PRINTED WITH PARTNUMBER AND DATE CODE.



352011-2 AS SHOWN

		FINISH		MATERIAL		PARTNUMBER	
-	-	-	-	-	-	CUSTOMER DRAWING FOR REFERENCE ONLY WILL NOT BE UPDATED	
-	-	-	-	-	-	© COPYRIGHT 1996 BY AMP-HOLLAND B.V. ALL INTERNATIONAL RIGHTS RESERVED. AMP PRODUCTS MAY BE COVERED BY U.S. AND FOREIGN AND/OR PATENTS PENDING.	
-	-	-	-	-	-	THIS DRAWING IS UNPUBLISHED. RELEASED FOR PUBLICATION, 19--	
-	-	-	-	-	-	 AMP HOLLAND B.V. s-Hertogenbosch, The Netherlands.	
-	-	-	-	-	-	NAME Z-PACK 2mm HM	
0	EH-0196-96	DT	FvK	19-AUG-96		133 POS. SHROUD TYPE B	
LTR.	REVISION RECORD		DR.	CHK.	DATE		
DR.:	D. TRUREN	CHK.:	F.v.KONINGSBRUGGE	APP.:	B. MOOIJ	DWG. No.	REV. LTR.
DATE:	19-AUG-96	DATE:	19-AUG-96	DATE:	-	352011	0
						SHEET	1 of 1
							A2