

4

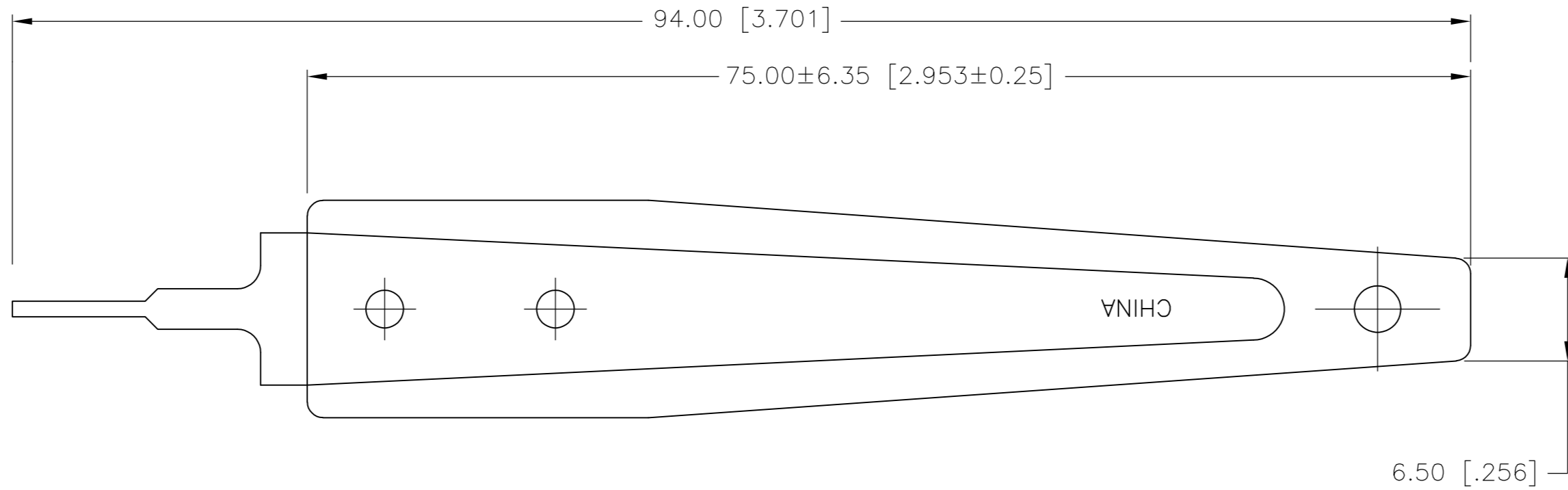
3

2

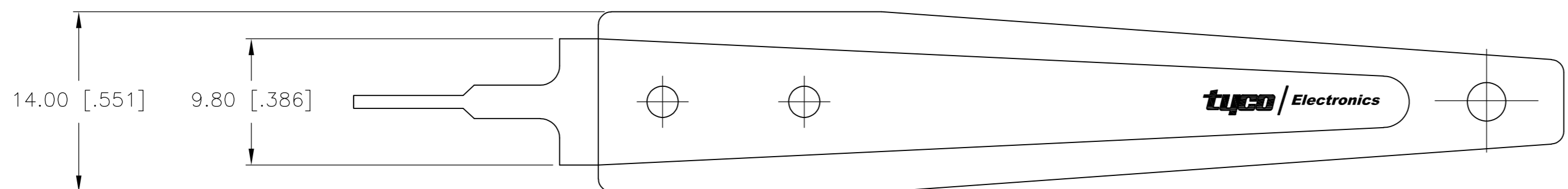
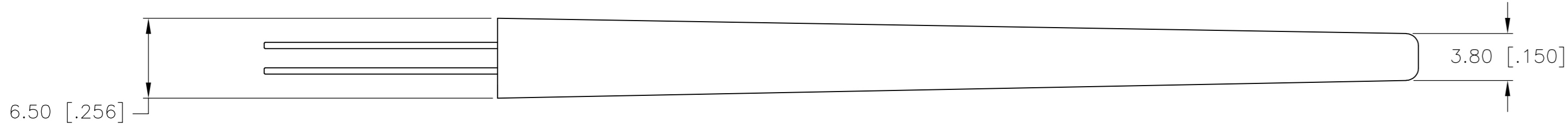
1

THIS DRAWING IS UNPUBLISHED. RELEASED FOR PUBLICATION
 © COPYRIGHT BY TYCO ELECTRONICS CORPORATION. ALL RIGHTS RESERVED.

LOC	DIST	REVISIONS			
P	LTR	DESCRIPTION	DATE	DWN	APVD
CM	00	A	REVISED PER ECO-08-006888	24MAR08	HMR CC



1 MATERIAL:
 HANDLE: NYLON, UL94V-0, BLACK.
 TINES: STAINLESS STEEL.



1586343-1
 PART NUMBER

METRIC

THIS DRAWING IS A CONTROLLED DOCUMENT.		DWN	S. HOOVER	20-APR-2004	Tyco Electronics Corporation Harrisburg, PA 17105-3608
DIMENSIONS:		CHK	D. COLEY	20-APR-2004	
mm [INCHES]		APVD	D. COLEY	20-APR-2004	
TOLERANCES UNLESS OTHERWISE SPECIFIED:		PRODUCT SPEC	NAME		
0 PLC	±	APPLICATION SPEC	EXTRACTION TOOL		
1 PLC	±	WEIGHT	SIZE	A2	
2 PLC	± 0.13 [.005]	CUSTOMER DRAWING	CAGE CODE	00779	
3 PLC	±	SCALE	DRAWING NO	C=1586343	
4 PLC	±	SCALE	4:1	SHEET	
ANGLES	±	SCALE	4:1	1 of 1	
FINISH	±	SCALE	4:1	REV	
MATERIAL		SCALE	4:1	A	