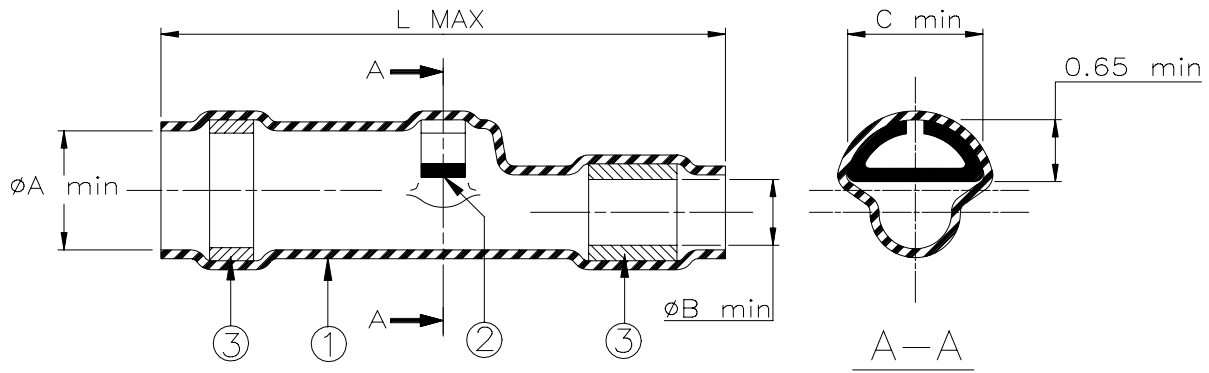


## SPECIFICATION CONTROL DRAWING



Product Revision		Product Dimensions				Cable Dimensions		
Product Name		øA min	øB min	L max	C min	øE min	D max	øG max
B-013-80	A	3.2 (0.125)	1.8 (0.070)	30.6 (1.205)	0.65 (0.025)	1.4 (0.055)	3.2 (0.125)	1.8 (0.070)
B-013-81	A	4.7 (0.185)	2.5 (0.100)	30.6 (1.205)	1.3 (0.050)	1.8 (0.070)	4.7 (0.185)	2.5 (0.100)
B-013-82	A	5.8 (0.230)	3.2 (0.125)	29.6 (1.165)	1.3 (0.050)	2.4 (0.095)	5.8 (0.230)	3.2 (0.125)
B-013-83	B	7.1 (0.280)	4.2 (0.165)	30 (1.180)	1.3 (0.050)	3.5 (0.140)	7.1 (0.280)	4.2 (0.165)
B-013-84	B	7.5 (0.295)	5.0 (0.195)	30 (1.180)	1.3 (0.050)	4.3 (0.170)	7.5 (0.295)	5.0 (0.195)

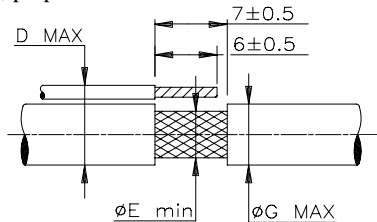
### MATERIALS

- INSULATION SLEEVE: Heat-shrinkable, transparent blue, radiation cross-linked modified polyvinylidene fluoride.
- SOLDER PREFORM WITH FLUX:  
 SOLDER: TYPE Sn63 per ANSI-J-STD-006.  
 FLUX: TYPE ROM1 per ANSI-J-STD-004.
- MELTABLE SEALING RINGS: Modified polyvinylidene fluoride. Color: blue.

### APPLICATION

- These controlled soldering devices are designed for the termination of a tin plated copper shield of a cable having an insulation rated for at least +125°C.
- Temperature range: -65°C to +150°C. For application tooling, contact your local Raychem technical service.

For best results, prepare the cable as shown:



\* A trademark of Raychem Corporation.

<b>Raychem</b>		<b>THERMOFIT DEVICES</b>		Raychem Corporation 300 Constitution Drive Menlo Park, CA 94025 USA		TITLE: <b>SOLDERSLEEVE* DEVICE WITH LOCALIZED SOLDER</b>	
UNLESS OTHERWISE SPECIFIED DIMENSIONS ARE IN MILLIMETERS. INCHES DIMENSIONS ARE BETWEEN BRACKETS.						DOCUMENT NO.: <b>B-013-8X</b>	
TOLERANCES: 0.00 N/A 0.0 N/A 0 N/A		ANGLES: N/A ROUGHNESS IN MICRON		Raychem reserves the right to amend this drawing at any time. Users should evaluate the suitability of the product for their application.		DCR NUMBER: D980891	
REPLACES: B0138X		DRAWN BY: M. FORONDA		DATE: 07/10/98		PROD. REV. SEE TABLE	
DOC ISSUE: 2		SCALE: None		SIZE: A		SHEET: 1 of 1	

If this document is printed it becomes uncontrolled. Check for the latest revision.