

## Features

- Low-voltage operation
- $V_{DD}$  range from 2.5 V to 3.3 V
- 1:10 fanout
- Over voltage tolerant input hot swappable
- Drives either a 50-Ohm or 75-Ohm transmission line
- Low-input capacitance
- 250 ps typical output-to-output skew
- 19 ps typical DJ jitter
- Typical propagation delay < 3.5 ns
- High-speed operation > 500 MHz
- Industrial temperature range
- Available packages include: SSOP

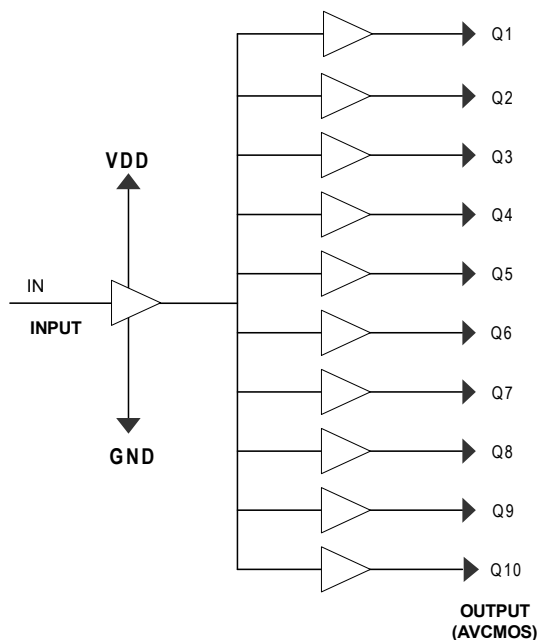
## Functional Description

The Cypress series of network circuits are produced using advanced 0.35-micron CMOS technology, achieving the industry's fastest logic and buffers.

The Cypress CY2CC810 fanout buffer features one input and ten outputs. Designed for data communications clock management applications, the large fanout from a single input reduces loading on the input clock.

For a complete list of related documentation, click [here](#).

## Logic Block Diagram

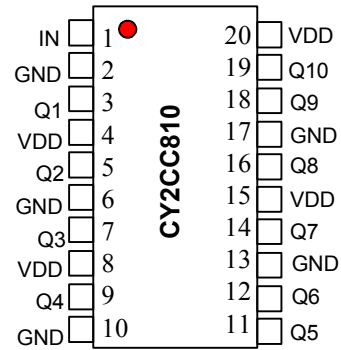


**Contents**

<b>Pin Configuration .....</b>	<b>3</b>	<b>Ordering Information .....</b>	<b>11</b>
<b>Pin Description .....</b>	<b>3</b>	Ordering Code Definitions .....	11
<b>Absolute Maximum Conditions .....</b>	<b>4</b>	<b>Package Drawing and Dimensions .....</b>	<b>12</b>
<b>DC Electrical Characteristics .....</b>	<b>4</b>	<b>Acronym .....</b>	<b>13</b>
<b>DC Electrical Characteristics .....</b>	<b>5</b>	<b>Document Conventions .....</b>	<b>13</b>
<b>Capacitance .....</b>	<b>5</b>	Units of Measure .....	13
<b>Thermal Resistance .....</b>	<b>5</b>	<b>Document History Page .....</b>	<b>14</b>
<b>Power Supply Characteristics .....</b>	<b>6</b>	<b>Sales, Solutions, and Legal Information .....</b>	<b>15</b>
<b>High-frequency Parametrics .....</b>	<b>6</b>	Worldwide Sales and Design Support .....	15
<b>AC Switching Characteristics .....</b>	<b>7</b>	Products .....	15
<b>AC Switching Characteristics .....</b>	<b>7</b>	PSoC@Solutions .....	15
<b>Parameter Measurement Information .....</b>	<b>8</b>	Cypress Developer Community .....	15
<b>Parameter Measurement Information .....</b>	<b>9</b>	Technical Support .....	15

## Pin Configuration

Figure 1. 20-pin SSOP pinout



20 pin SOIC/SSOP

## Pin Description

Pin Number	Pin Name	Description	
1	IN	Input	LVC MOS
2, 6, 10, 13, 17	GND	Ground	Power
4, 8, 15, 20	V <sub>DD</sub>	Power Supply	Power
3, 5, 7, 9, 11, 12, 14, 16, 18, 19	Q1... Q10	Output	AVCMOS

## Absolute Maximum Conditions

Parameter [1, 2]	Description	Min	Max	Unit
V <sub>DD</sub>	V <sub>DD</sub> ground supply voltage	-0.5	4.6	V
V <sub>IN</sub>	Input supply voltage to ground potential	-0.5	5.8	V
V <sub>OUT</sub>	Output supply voltage to ground potential	-0.5	V <sub>DD</sub> + 1	V
T <sub>S</sub>	Temperature, storage	-65	150	°C
T <sub>A</sub>	Temperature, operating ambient	-40	85	°C
	Power dissipation	0.75		W

## DC Electrical Characteristics

@ 3.3 V (see Figure 6)

Parameter	Description	Conditions		Min	Typ	Max	Unit
V <sub>OH</sub>	Output high voltage	V <sub>DD</sub> = Min, V <sub>IN</sub> = V <sub>IH</sub> or V <sub>IL</sub>	I <sub>OH</sub> = -12 mA	2.3	3.3	-	V
V <sub>OL</sub>	Output low voltage	V <sub>DD</sub> = Min, V <sub>IN</sub> = V <sub>IH</sub> or V <sub>IL</sub>	I <sub>OL</sub> = 12 mA	-	0.2	0.5	V
V <sub>IH</sub>	Input high voltage	Guaranteed Logic High Level	-	2	-	5.8	V
V <sub>IL</sub>	Input low voltage	Guaranteed Logic Low Level	-	-	-	0.8	V
I <sub>IH</sub>	Input high current	V <sub>DD</sub> = Max	V <sub>IN</sub> = 2.7 V	-	-	1	μA
I <sub>IL</sub>	Input low current	V <sub>DD</sub> = Max	V <sub>IN</sub> = 0.5 V	-	-	-1	μA
I <sub>I</sub>	Input high current	V <sub>DD</sub> = Max, V <sub>IN</sub> = V <sub>DD</sub> (Max)	-	-	-	20	μA
V <sub>IK</sub>	Clamp diode voltage	V <sub>DD</sub> = Min, I <sub>IN</sub> = -18 mA	-	-	-0.7	-1.2	V
I <sub>OK</sub>	Continuous clamp current	V <sub>DD</sub> = Max, V <sub>OUT</sub> = GND	-	-	-	-50	mA
O <sub>OFF</sub>	Power down disable	V <sub>DD</sub> = GND, V <sub>OUT</sub> ≤ 4.5 V	-	-	-	100	μA
V <sub>H</sub>	Input hysteresis	V <sub>DD</sub> = Min, V <sub>IN</sub> = V <sub>IH</sub> or V <sub>IL</sub>	-	-	80		mV

### Notes

- Stresses greater than those listed under absolute maximum ratings may cause permanent damage to the device. This is intended to be a stress rating only and functional operation of the device at these or any other conditions above those indicated in the operation sections of this specification is not implied. Exposure to absolute maximum rating conditions for extended periods may affect reliability.
- Multiple Supplies: The voltage on any input or I/O pin cannot exceed the power pin during power-up. Power supply sequencing is NOT required.

## DC Electrical Characteristics

@ 2.5 V (see Figure 2)

Parameter	Description	Conditions	Min	Typ	Max	Unit	
V <sub>OH</sub>	Output high voltage	V <sub>DD</sub> = Min, V <sub>IN</sub> = V <sub>IH</sub> or V <sub>IL</sub>	I <sub>OH</sub> = -7 mA	1.8	-	-	V
			I <sub>OH</sub> = 12 mA	1.6	-	-	V
V <sub>OL</sub>	Output low voltage	V <sub>DD</sub> = Min, V <sub>IN</sub> = V <sub>IH</sub> or V <sub>IL</sub>		-	0.65	V	
V <sub>IH</sub>	Input high voltage	Guaranteed Logic High Level	-	1.6	-	5.0	V
V <sub>IL</sub>	Input low voltage	Guaranteed Logic Low Level	-	-	-	0.8	V
I <sub>IH</sub>	Input high current	V <sub>DD</sub> = Max	V <sub>IN</sub> = 2.4 V	-	-	1	μA
I <sub>IL</sub>	Input low current	V <sub>DD</sub> = Max	V <sub>IN</sub> = 0.5 V	-	-	-1	μA
I <sub>I</sub>	Input high current	V <sub>DD</sub> = Max, V <sub>IN</sub> = V <sub>DD</sub> (Max)	-	-	-	20	μA
V <sub>IK</sub>	Clamp diode voltage	V <sub>DD</sub> = Min, I <sub>IN</sub> = -18 mA	-	-	-0.7	-1.2	V
I <sub>OK</sub>	Continuous clamp current	V <sub>DD</sub> = Max, V <sub>OUT</sub> = GND	-	-	-	-50	mA
O <sub>OFF</sub>	Power-down disable	V <sub>DD</sub> = GND, V <sub>OUT</sub> ≤ 4.5 V	-	-	-	100	μA
V <sub>H</sub>	Input hysteresis	-	-	-	80	-	mV

## Capacitance

Parameter	Description	Test Conditions	Min	Typ	Max	Unit
C <sub>in</sub>	Input capacitance	V <sub>IN</sub> = 0 V	-	2.5	-	pF
C <sub>out</sub>	Output capacitance	V <sub>OUT</sub> = 0 V	-	6.5	-	pF

## Thermal Resistance

Parameter <sup>[3]</sup>	Description	Test Conditions	20-pin SSOP	Unit
θ <sub>JA</sub>	Thermal resistance (junction to ambient)	Test conditions follow standard test methods and procedures for measuring thermal impedance, in accordance with EIA/JESD51.	79	°C/W
θ <sub>JC</sub>	Thermal resistance (junction to case)		35	°C/W

**Note**

3. These parameters are guaranteed by design and are not tested.

## Power Supply Characteristics

(see Figure 6)

Parameter	Description	Test Conditions	Min	Typ	Max	Unit
$\Delta I_{CC}$	Delta $I_{CC}$ quiescent power supply current	( $I_{DD}$ @ $V_{DD} = \text{Max}$ and $V_{IN} = V_{DD}$ ) – ( $I_{DD}$ @ $V_{DD} = \text{Max}$ and $V_{IN} = V_{DD} - 0.6 \text{ V}$ )	–	–	50	$\mu\text{A}$
$I_{CCD}$	Dynamic power supply current	$V_{DD} = \text{Max}$ Input toggling 50% Duty Cycle, Outputs Open	–	–	0.63	mA/ MHz
$I_C$	Total power supply current	$V_{DD} = \text{Max}$ Input toggling 50% Duty Cycle, Outputs Open $f_L = 40 \text{ MHz}$	–	–	25	mA
$t_{PU}$	Power-up time for all $V_{DD}$ S	Power-up to reach minimum specified voltage (power ramp must be monotonic)	0.05	–	500	ms

## High-frequency Parametrics

Parameter	Description	Test Conditions	Min	Typ	Max	Unit	
$D_J$	Jitter, Deterministic	50% duty cycle $t_W(50-50)$ The “point to point load circuit” Output Jitter – Input Jitter	2.5 V	–	23	35	ps
			3.3 V	–	19	30	ps
$F_{\text{max}(3.3 \text{ V})}$	Maximum frequency $V_{DD} = 3.3 \text{ V}$	50% duty cycle $t_W(50-50)$ Standard Load Circuit.	See Figure 6	–	–	160	MHz
		50% duty cycle $t_W(50-50)$ The “point to point load circuit”	See Figure 8	–	–	650	
$F_{\text{max}(2.5 \text{ V})}$	Maximum frequency $V_{DD} = 2.5 \text{ V}$	The “point to point load circuit” $V_{IN} = 2.4 \text{ V}/0.0 \text{ V}$ $V_{OUT} = 1.7 \text{ V}/0.7 \text{ V}$	See Figure 8	–	–	200	MHz
$F_{\text{max}(20)}$	Maximum frequency $V_{DD} = 3.3 \text{ V}$	20% duty cycle $t_W(20-80)$ The “point to point load circuit” $V_{IN} = 3.0 \text{ V}/0.0 \text{ V}$ $V_{OUT} = 2.3 \text{ V}/0.4 \text{ V}$	See Figure 8	–	–	250	MHz
	Maximum frequency $V_{DD} = 2.5 \text{ V}$	The “point to point load circuit” $V_{IN} = 2.4 \text{ V}/0.0 \text{ V}$ $V_{OUT} = 1.7 \text{ V}/0.7 \text{ V}$	See Figure 4	–	–	200	MHz
$t_W$	Minimum pulse $V_{DD} = 3.3 \text{ V}$	The “point to point load circuit” $V_{IN} = 3.0 \text{ V}/0.0 \text{ V}$ $F = 100 \text{ MHz}$ $V_{OUT} = 2.0 \text{ V}/0.8 \text{ V}$	See Figure 8	1	–	–	ns
	Minimum pulse $V_{DD} = 2.5 \text{ V}$	The “point to point load circuit” $V_{IN} = 2.4 \text{ V}/0.0 \text{ V}$ $F = 100 \text{ MHz}$ $V_{OUT} = 1.7 \text{ V}/0.7 \text{ V}$	See Figure 4	1	–	–	

## AC Switching Characteristics

@ 3.3 V,  $V_{DD} = 3.3\text{ V} \pm 5\%$ , Temperature =  $-40\text{ }^{\circ}\text{C}$  to  $+85\text{ }^{\circ}\text{C}$

Parameter	Description		Min	Typ	Max	Unit
$t_{PLH}$	Propagation delay – Low to High	See Figure 5	1.5	2.7	3.5	ns
$t_{PHL}$	Propagation delay – High to Low		1.5	2.7	3.5	ns
$t_R$	Output rise time	–	–	0.8	–	V/ns
$t_F$	Output fall time	–	–	0.8	–	V/ns
$t_{SK(0)}$	Output Skew: Skew between outputs of the same package (in phase)	See Figure 11	–	0.25	0.38	ns
$t_{SK(p)}$	Pulse Skew: Skew between opposite transitions of the same output ( $t_{PHL} - t_{PLH}$ ).	See Figure 10	–	–	0.2	ns
$t_{SK(t)}$	Package Skew: Skew between outputs of different packages at the same power supply voltage, temperature and package type.	See Figure 12	–	–	0.42	ns

## AC Switching Characteristics

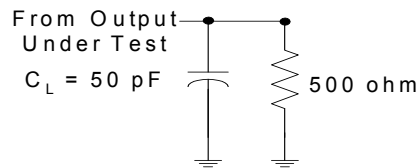
@ 2.5 V,  $V_{DD} = 2.5\text{ V} \pm 5\%$ , Temperature =  $-40\text{ }^{\circ}\text{C}$  to  $+85\text{ }^{\circ}\text{C}$

Parameter	Description		Min	Typ	Max	Unit
$t_{PLH}$	Propagation delay – Low to High	See Figure 5	1.5	2.0	3.5	ns
$t_{PHL}$	Propagation delay – High to Low		1.5	2.0	3.5	ns
$t_R$	Output rise time	–	–	0.8	–	V/ns
$t_F$	Output fall time	–	–	0.8	–	V/ns
$t_{SK(0)}$	Output Skew: Skew between outputs of the same package (in phase)	See Figure 11	–	0.25	0.38	ns
$t_{SK(p)}$	Pulse Skew: Skew between opposite transitions of the same output ( $t_{PHL} - t_{PLH}$ ).	See Figure 10	–	–	0.4	ns
$t_{SK(t)}$	Package Skew: Skew between outputs of different packages at the same power supply voltage, temperature and package type.	See Figure 12	–	–	0.65	ns

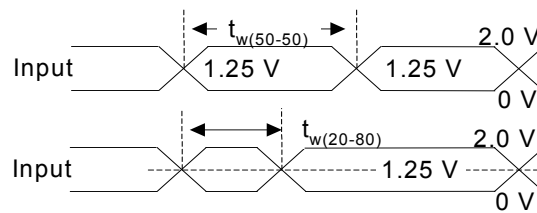
## Parameter Measurement Information

$V_{DD}$  @ 2.5 V

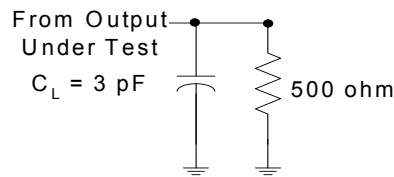
**Figure 2. Load Circuit** [4, 5, 6]



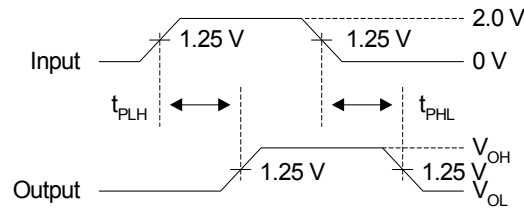
**Figure 3. Voltage Waveforms Pulse Duration** [7]



**Figure 4. Point to Point Load Circuit** [4, 5, 6]



**Figure 5. Voltage Waveforms Propagation Delay Times** [5]



### Notes

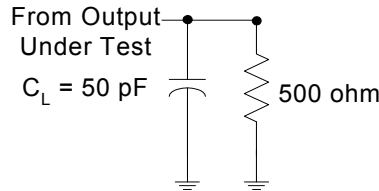
4.  $C_L$  includes probe and jig capacitance.
5. All input pulses are supplied by generators having the following characteristics: PRR < 100 MHz,  $Z_0 = 50\Omega$ ,  $t_R < 2.5$  nS,  $t_F < 2.5$  nS.
6. The outputs are measured one at a time with one transition per measurement.
7.  $T_{PLH}$  and  $T_{PHL}$  are the same as  $t_{pd}$ .



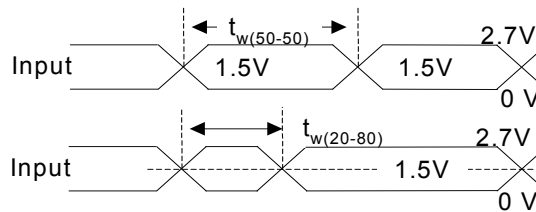
### Parameter Measurement Information

$V_{DD} @ 3.3 V$

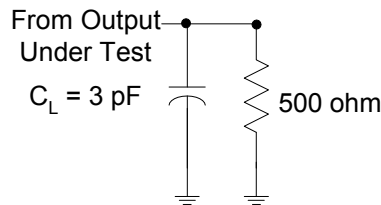
**Figure 6. Load Circuit** [8, 9, 10]



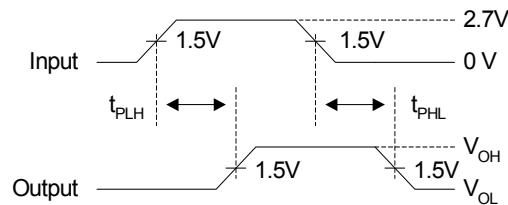
**Figure 7. Voltage Waveforms – Pulse Duration** [11]



**Figure 8. Point to Point Load Circuit** [8, 9, 10]



**Figure 9. Voltage Waveforms Propagation Delay Times** [9]



**Notes**

- 8.  $C_L$  includes probe and jig capacitance.
- 9. All input pulses are supplied by generators having the following characteristics: PRR < 100 MHz,  $Z_0 = 50\Omega$ ,  $t_r < 2.5 \text{ nS}$ ,  $t_f < 2.5 \text{ nS}$ .
- 10. The outputs are measured one at a time with one transition per measurement.
- 11.  $T_{PLH}$  and  $T_{PHL}$  are the same as  $t_{pd}$ .

Parameter Measurement Information (Continued)

V<sub>DD</sub> @ 3.3 V

Figure 10. Pulse Skew – tsk<sub>(p)</sub>

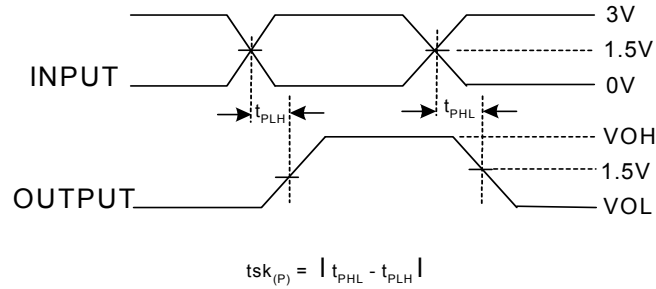


Figure 11. Output Skew – tsk<sub>(o)</sub>

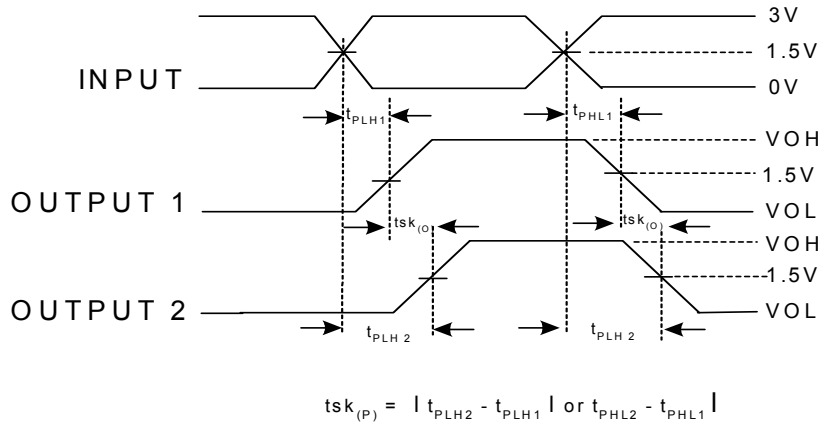
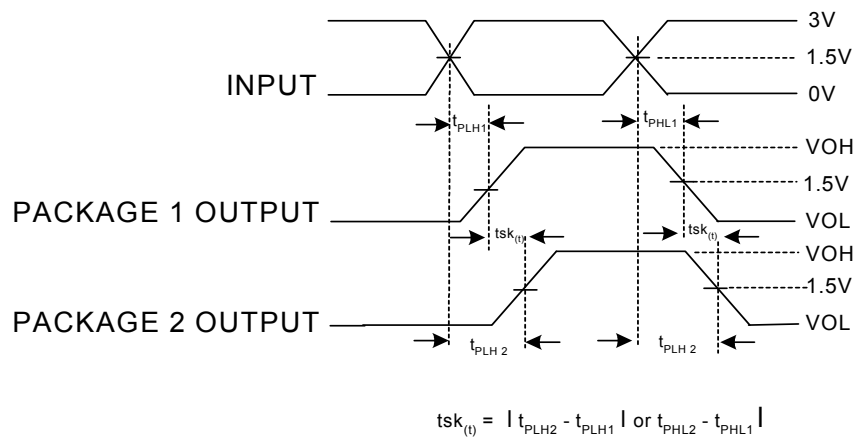


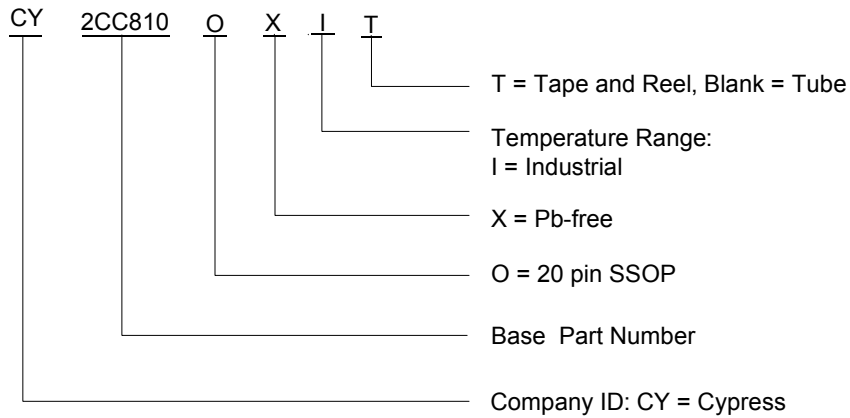
Figure 12. Package Skew – tsk<sub>(t)</sub>



## Ordering Information

Part Number <sup>[12]</sup>	Package Type	Product Flow
<b>Pb-free</b>		
CY2CC810OXI	20-pin SSOP	Industrial, -40 °C to 85 °C
CY2CC810OXIT	20-pin SSOP–Tape and Reel	Industrial, -40 °C to 85 °C
CY2CC810OXI-1	20-pin SSOP	Industrial, -40 °C to 85 °C
CY2CC810OXI-1T	20-pin SSOP–Tape and Reel	Industrial, -40 °C to 85 °C

## Ordering Code Definitions

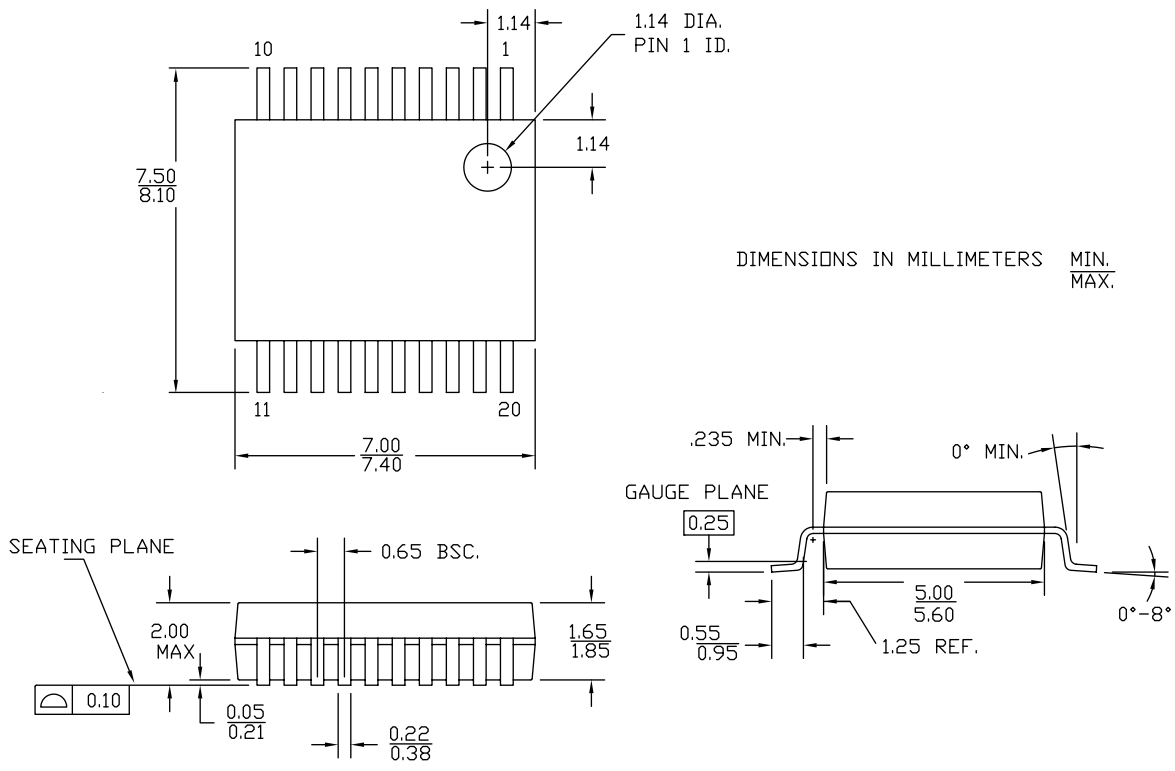


**Note**

12. Devices with part numbers ending with -1 are identical to devices without the -1 suffix. There are no differences in specification.

Package Drawing and Dimensions

Figure 13. 20-pin SSOP (210 Mils) O20.21 Package Outline, 51-85077



51-85077 \*F

## Acronym

Acronym	Description
CMOS	complementary metal oxide semiconductor
DJ	Deterministic Jitter
SSOP	shrunk small outline package

## Document Conventions

### Units of Measure

Symbol	Unit of Measure
°C	degree Celsius
MHZ	megahertz
uA	microampere
mA	milliampere
ms	millisecond
ns	nanosecond
%	percent
pF	picofarad
ps	picosecond
V	volt

Document History Page

Document Title: CY2CC810, 1:10 Clock Fanout Buffer Document Number: 38-07056				
Rev.	ECN No.	Submission Date	Orig. of Change	Description of Change
**	107081	06/07/01	IKA	Convert from IMI to Cypress
*A	114315	05/09/02	TSM	$\Delta I_{DD}$ Validation
*B	119117	10/07/02	RGL	Updated <a href="#">DC Electrical Characteristics (@ 3.3 V)</a> : Added 5.8 V as the maximum value of $V_{IH}$ parameter. Updated <a href="#">DC Electrical Characteristics (@ 2.5 V)</a> : Changed maximum value of $V_{IH}$ parameter from 1.8 V to 5.0 V.
*C	122743	12/14/02	RBI	Updated <a href="#">Absolute Maximum Conditions</a> : Added Note 2 (power-up requirements) and referred the same note in "Parameter" column.
*D	387761	See ECN	RGL	Updated <a href="#">High-frequency Parametrics</a> : Updated details in "Test Conditions" column corresponding to $D_j$ parameter. Updated values of $D_j$ parameter. Updated <a href="#">AC Switching Characteristics</a> : Updated values of $t_{SK(0)}$ , $t_{SK(p)}$ , $t_{SK(t)}$ parameters. Updated <a href="#">AC Switching Characteristics</a> : Updated values of $t_{SK(0)}$ , $t_{SK(p)}$ , $t_{SK(t)}$ parameters. Updated <a href="#">Ordering Information</a> : Removed devices with SOIC package. Added devices Lead-free SSOP package.
*E	499991	See ECN	RGL	Updated <a href="#">Power Supply Characteristics</a> : Added $t_{PU}$ parameter and its details.
*F	2896073	03/19/10	CXQ	Removed SOIC package related information in all instances across the document. Updated <a href="#">Ordering Information</a> : Removed obsolete parts. Added CY2CC810OXI-1, CY2CC810OXI-1T parts. Updated <a href="#">Package Drawing and Dimensions</a> .
*G	3056154	10/08/2010	CXQ	Updated <a href="#">Ordering Information</a> : Removed CY2CC810OXC and CY2CC810OXCT parts.
*H	3396159	10/10/2011	PURU	Updated <a href="#">Functional Description</a> : Removed "AVCMOS-type outputs dynamically adjust for variable impedance matching and reduce noise overall". Added <a href="#">Ordering Code Definitions</a> under <a href="#">Ordering Information</a> . Updated <a href="#">Package Drawing and Dimensions</a> . Added <a href="#">Acronym</a> , and <a href="#">Units of Measure</a> .
*I	4559526	11/07/2014	PURU	Updated <a href="#">Functional Description</a> : Added "For a complete list of related documentation, click <a href="#">here</a> ." at the end.
*J	5272946	05/16/2016	PSR	Added <a href="#">Thermal Resistance</a> . Updated <a href="#">Package Drawing and Dimensions</a> : spec 51-85077 – Changed revision from *E to *F. Updated to new template.

## Sales, Solutions, and Legal Information

### Worldwide Sales and Design Support

Cypress maintains a worldwide network of offices, solution centers, manufacturer's representatives, and distributors. To find the office closest to you, visit us at [Cypress Locations](#).

#### Products

ARM® Cortex® Microcontrollers	<a href="http://cypress.com/arm">cypress.com/arm</a>
Automotive	<a href="http://cypress.com/automotive">cypress.com/automotive</a>
Clocks & Buffers	<a href="http://cypress.com/clocks">cypress.com/clocks</a>
Interface	<a href="http://cypress.com/interface">cypress.com/interface</a>
Lighting & Power Control	<a href="http://cypress.com/powerpsoc">cypress.com/powerpsoc</a>
Memory	<a href="http://cypress.com/memory">cypress.com/memory</a>
PSoC	<a href="http://cypress.com/psoc">cypress.com/psoc</a>
Touch Sensing	<a href="http://cypress.com/touch">cypress.com/touch</a>
USB Controllers	<a href="http://cypress.com/usb">cypress.com/usb</a>
Wireless/RF	<a href="http://cypress.com/wireless">cypress.com/wireless</a>

#### PSoC® Solutions

[PSoC 1](#) | [PSoC 3](#) | [PSoC 4](#) | [PSoC 5LP](#)

#### Cypress Developer Community

[Forums](#) | [Projects](#) | [Video](#) | [Blogs](#) | [Training](#) | [Components](#)

#### Technical Support

[cypress.com/support](http://cypress.com/support)

---

© Cypress Semiconductor Corporation, 2006-2016. This document is the property of Cypress Semiconductor Corporation and its subsidiaries, including Spansion LLC ("Cypress"). This document, including any software or firmware included or referenced in this document ("Software"), is owned by Cypress under the intellectual property laws and treaties of the United States and other countries worldwide. Cypress reserves all rights under such laws and treaties and does not, except as specifically stated in this paragraph, grant any license under its patents, copyrights, trademarks, or other intellectual property rights. If the Software is not accompanied by a license agreement and you do not otherwise have a written agreement with Cypress governing the use of the Software, then Cypress hereby grants you a personal, non-exclusive, nontransferable license (without the right to sublicense) (1) under its copyright rights in the Software (a) for Software provided in source code form, to modify and reproduce the Software solely for use with Cypress hardware products, only internally within your organization, and (b) to distribute the Software in binary code form externally to end users (either directly or indirectly through resellers and distributors), solely for use on Cypress hardware product units, and (2) under those claims of Cypress's patents that are infringed by the Software (as provided by Cypress, unmodified) to make, use, distribute, and import the Software solely for use with Cypress hardware products. Any other use, reproduction, modification, translation, or compilation of the Software is prohibited.

TO THE EXTENT PERMITTED BY APPLICABLE LAW, CYPRESS MAKES NO WARRANTY OF ANY KIND, EXPRESS OR IMPLIED, WITH REGARD TO THIS DOCUMENT OR ANY SOFTWARE OR ACCOMPANYING HARDWARE, INCLUDING, BUT NOT LIMITED TO, THE IMPLIED WARRANTIES OF MERCHANTABILITY AND FITNESS FOR A PARTICULAR PURPOSE. To the extent permitted by applicable law, Cypress reserves the right to make changes to this document without further notice. Cypress does not assume any liability arising out of the application or use of any product or circuit described in this document. Any information provided in this document, including any sample design information or programming code, is provided only for reference purposes. It is the responsibility of the user of this document to properly design, program, and test the functionality and safety of any application made of this information and any resulting product. Cypress products are not designed, intended, or authorized for use as critical components in systems designed or intended for the operation of weapons, weapons systems, nuclear installations, life-support devices or systems, other medical devices or systems (including resuscitation equipment and surgical implants), pollution control or hazardous substances management, or other uses where the failure of the device or system could cause personal injury, death, or property damage ("Unintended Uses"). A critical component is any component of a device or system whose failure to perform can be reasonably expected to cause the failure of the device or system, or to affect its safety or effectiveness. Cypress is not liable, in whole or in part, and you shall and hereby do release Cypress from any claim, damage, or other liability arising from or related to all Unintended Uses of Cypress products. You shall indemnify and hold Cypress harmless from and against all claims, costs, damages, and other liabilities, including claims for personal injury or death, arising from or related to any Unintended Uses of Cypress products.

Cypress, the Cypress logo, Spansion, the Spansion logo, and combinations thereof, PSoC, CapSense, EZ-USB, F-RAM, and Traveo are trademarks or registered trademarks of Cypress in the United States and other countries. For a more complete list of Cypress trademarks, visit [cypress.com](http://cypress.com). Other names and brands may be claimed as property of their respective owners.