

DDR4 3DS SDRAM LRDIMM

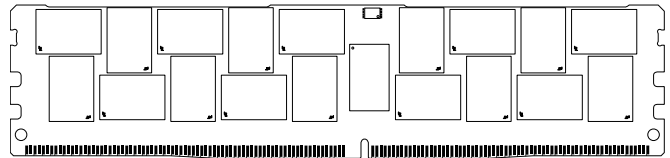
MTA144ASQ16G72LSZ – 128GB

Features

- DDR4 functionality and operations supported as defined in the component data sheet
- 288-pin, command/address/control registered, data buffered, load-reduced dual in-line memory module (LRDIMM)
- Fast data transfer rates: PC4-3200, PC4-2933, or PC4-2666
- 128GB (16 Gig x 72)
- $V_{DD} = 1.20V$ (NOM)
- $V_{PP} = 2.5V$ (NOM)
- $V_{DDSPD} = 2.5V$ (NOM)
- Supports ECC error detection and correction
- Nominal and dynamic on-die termination (ODT) for data, strobe, and mask signals
- Low-power auto self refresh (LPASR)
- On-die internal, adjustable, V_{REFDQ} generation
- 2 package ranks x 4 logic ranks
- On-board I²C temperature sensor with integrated serial presence-detect (SPD) EEPROM
- 32Gb, 3DS 4-high die stack x4 package, Master/Slave control logic. Each die with 16 internal banks; 4 groups of 4 banks each
- Fixed burst chop (BC) of 4 and burst length (BL) of 8 via the mode register set (MRS)
- Selectable BC4 or BL8 on-the-fly (OTF)
- Gold edge contacts
- Halogen-free
- Fly-by topology
- Multiplexed command and address bus
- Terminated control, command and address bus

Figure 1: 288-Pin LRDIMM (MO-309, R/C-B1)

Module height: 31.25mm (1.23in)



Options

- Operating temperature
 - Commercial ($0^{\circ}C \leq T_{OPER} \leq 95^{\circ}C$)
- Package
 - 288-pin DIMM (halogen-free)
- Frequency/CAS latency
 - 0.62ns @ CL = 26 (DDR4-3200)
 - 0.682ns @ CL = 24 (DDR4-2933)
 - 0.75ns @ CL = 22 (DDR4-2666)

Marking

None
Z
-3S2
-2S9
-2S6

Table 1: Key Timing Parameters

| Speed Grade | PC4- | Data Rate (MT/s) | | | | | | | | | | | t _{RCD} (ns) | t _{RP} (ns) | t _{RC} (ns) |
|-------------|------|------------------|------|------|------|------|------|------|------|------|------|------|-----------------------|----------------------|----------------------|
| | | CL = | | | | | | | | | | | | | |
| | | 28 – 26 | 25 | 24 | 24 | 22 | 22 | 20 | 20 | 18 | 16 | 14 | | | |
| -3S2 | 3200 | 3200 | – | – | 2666 | 2666 | 2400 | 2400 | 2133 | 2133 | 1866 | 1600 | 13.75 | 13.75 | 45.75 |
| -2S9 | 2933 | – | 2933 | 2933 | 2666 | 2666 | 2400 | 2400 | 2133 | 2133 | 1866 | 1600 | 14.32 | 14.32 | 46.32 |



128GB (x72, ECC, 3DS 4H Stack, 2 Package Ranks x 4 Logic Ranks) 288-Pin DDR4 LRDIMM Features

Table 1: Key Timing Parameters (Continued)

| Speed Grade | PC4- | Data Rate (MT/s) | | | | | | | | | | | t _{RCD} (ns) | t _{RP} (ns) | t _{RC} (ns) |
|-------------|------|------------------|----|----|------|------|------|------|------|------|------|------|-----------------------|----------------------|----------------------|
| | | CL = | | | | | | | | | | | | | |
| | | 28 – 26 | 25 | 24 | 24 | 22 | 22 | 20 | 20 | 18 | 16 | 14 | | | |
| -2S6 | 2666 | – | – | – | 2666 | 2666 | 2400 | 2400 | 2133 | 2133 | 1866 | 1600 | 14.25 | 14.25 | 46.25 |
| -2S3 | 2400 | – | – | – | – | – | – | 2400 | – | 2133 | 1866 | 1600 | 15 | 15 | 47 |

Table 2: Addressing

| Parameter | 128GB |
|-------------------------------|--|
| Row address | 128K A[16:0] |
| Column address | 1K A[9:0] |
| Device bank group address | 4 BG[1:0] |
| Device bank address per group | 4 BA[1:0] |
| Device configuration | 32Gb (128 Meg x 4 x 16 banks x4 ranks) |
| Logic rank address | 2 C[1:0] |
| Package rank address | 2 CS_n[1:0] |

Table 3: Part Numbers and Timing Parameters – 128GB Modules

Base device: MT40A8G4,¹ 32Gb DDR4 4H 3DS M/S DRAM

| Part Number ² | Module Density | Configuration | Module Bandwidth | Memory Clock/ Data Rate | Clock Cycles (CL-t _{RCD} -t _{RP}) |
|--------------------------|----------------|---------------|------------------|-------------------------|--|
| MTA144ASQ16G72LSZ-3S2__ | 128GB | 16 Gig x 72 | 25.6 GB/s | 0.62ns/3200 MT/s | 26-22-22 |
| MTA144ASQ16G72LSZ-2S9__ | 128GB | 16 Gig x 72 | 23.47 GB/s | 0.682ns/2933 MT/s | 24-21-21 |
| MTA144ASQ16G72LSZ-2S6__ | 128GB | 16 Gig x 72 | 21.3 GB/s | 0.75ns/2666 MT/s | 22-19-19 |

- Notes: 1. The data sheet for the base device can be found at micron.com.
 2. All part numbers end with a two-place code (not shown) that designates component and PCB revisions. Consult factory for current revision codes. Example: MTA144ASQ16G72LSZ-3S2E1.



Important Notes and Warnings

Micron Technology, Inc. ("Micron") reserves the right to make changes to information published in this document, including without limitation specifications and product descriptions. This document supersedes and replaces all information supplied prior to the publication hereof. You may not rely on any information set forth in this document if you obtain the product described herein from any unauthorized distributor or other source not authorized by Micron.

Automotive Applications. Products are not designed or intended for use in automotive applications unless specifically designated by Micron as automotive-grade by their respective data sheets. Distributor and customer/distributor shall assume the sole risk and liability for and shall indemnify and hold Micron harmless against all claims, costs, damages, and expenses and reasonable attorneys' fees arising out of, directly or indirectly, any claim of product liability, personal injury, death, or property damage resulting directly or indirectly from any use of non-automotive-grade products in automotive applications. Customer/distributor shall ensure that the terms and conditions of sale between customer/distributor and any customer of distributor/customer (1) state that Micron products are not designed or intended for use in automotive applications unless specifically designated by Micron as automotive-grade by their respective data sheets and (2) require such customer of distributor/customer to indemnify and hold Micron harmless against all claims, costs, damages, and expenses and reasonable attorneys' fees arising out of, directly or indirectly, any claim of product liability, personal injury, death, or property damage resulting from any use of non-automotive-grade products in automotive applications.

Critical Applications. Products are not authorized for use in applications in which failure of the Micron component could result, directly or indirectly in death, personal injury, or severe property or environmental damage ("Critical Applications"). Customer must protect against death, personal injury, and severe property and environmental damage by incorporating safety design measures into customer's applications to ensure that failure of the Micron component will not result in such harms. Should customer or distributor purchase, use, or sell any Micron component for any critical application, customer and distributor shall indemnify and hold harmless Micron and its subsidiaries, subcontractors, and affiliates and the directors, officers, and employees of each against all claims, costs, damages, and expenses and reasonable attorneys' fees arising out of, directly or indirectly, any claim of product liability, personal injury, or death arising in any way out of such critical application, whether or not Micron or its subsidiaries, subcontractors, or affiliates were negligent in the design, manufacture, or warning of the Micron product.

Customer Responsibility. Customers are responsible for the design, manufacture, and operation of their systems, applications, and products using Micron products. ALL SEMICONDUCTOR PRODUCTS HAVE INHERENT FAILURE RATES AND LIMITED USEFUL LIVES. IT IS THE CUSTOMER'S SOLE RESPONSIBILITY TO DETERMINE WHETHER THE MICRON PRODUCT IS SUITABLE AND FIT FOR THE CUSTOMER'S SYSTEM, APPLICATION, OR PRODUCT. Customers must ensure that adequate design, manufacturing, and operating safeguards are included in customer's applications and products to eliminate the risk that personal injury, death, or severe property or environmental damages will result from failure of any semiconductor component.

Limited Warranty. In no event shall Micron be liable for any indirect, incidental, punitive, special or consequential damages (including without limitation lost profits, lost savings, business interruption, costs related to the removal or replacement of any products or rework charges) whether or not such damages are based on tort, warranty, breach of contract or other legal theory, unless explicitly stated in a written agreement executed by Micron's duly authorized representative.



128GB (x72, ECC, 3DS 4H Stack, 2 Package Ranks x 4 Logic Ranks) 288-Pin DDR4 LRDIMM Pin Assignments

Pin Assignments

Table 4: Pin Assignments

| 288-Pin DDR4 LRDIMM Front | | | | | | | | 288-Pin DDR4 LRDIMM Back | | | | | | | |
|---------------------------|-----------------|-----|-----------------|-----|-----------------|-----|-----------------|--------------------------|--------------------|-----|-----------------|-----|-----------------|-----|--------------------|
| Pin | Symbol | Pin | Symbol | Pin | Symbol | Pin | Symbol | Pin | Symbol | Pin | Symbol | Pin | Symbol | Pin | Symbol |
| 1 | NC | 37 | V _{SS} | 73 | V _{DD} | 109 | V _{SS} | 145 | NC | 181 | DQ29 | 217 | V _{DD} | 253 | DQ41 |
| 2 | V _{SS} | 38 | DQ24 | 74 | CK0_t | 110 | DQS14_t | 146 | V _{REFCA} | 182 | V _{SS} | 218 | CK1_t | 254 | V _{SS} |
| 3 | DQ4 | 39 | V _{SS} | 75 | CK0_c | 111 | DQS14_c | 147 | V _{SS} | 183 | DQ25 | 219 | CK1_c | 255 | DQS5_c |
| 4 | V _{SS} | 40 | DQS12_t | 76 | V _{DD} | 112 | V _{SS} | 148 | DQ5 | 184 | V _{SS} | 220 | V _{DD} | 256 | DQS5_t |
| 5 | DQ0 | 41 | DQS12_c | 77 | V _{TT} | 113 | DQ46 | 149 | V _{SS} | 185 | DQS3_c | 221 | V _{TT} | 257 | V _{SS} |
| 6 | V _{SS} | 42 | V _{SS} | 78 | EVENT_n | 114 | V _{SS} | 150 | DQ1 | 186 | DQS3_t | 222 | PARITY | 258 | DQ47 |
| 7 | DQS9_t | 43 | DQ30 | 79 | A0 | 115 | DQ42 | 151 | V _{SS} | 187 | V _{SS} | 223 | V _{DD} | 259 | V _{SS} |
| 8 | DQS09_c | 44 | V _{SS} | 80 | V _{DD} | 116 | V _{SS} | 152 | DQS0_c | 188 | DQ31 | 224 | BA1 | 260 | DQ43 |
| 9 | V _{SS} | 45 | DQ26 | 81 | BA0 | 117 | DQ52 | 153 | DQS0_t | 189 | V _{SS} | 225 | A10_AP | 261 | V _{SS} |
| 10 | DQ6 | 46 | V _{SS} | 82 | RAS_n/ A16 | 118 | V _{SS} | 154 | V _{SS} | 190 | DQ27 | 226 | V _{DD} | 262 | DQ53 |
| 11 | V _{SS} | 47 | CB4 | 83 | V _{DD} | 119 | DQ48 | 155 | DQ7 | 191 | V _{SS} | 227 | NC | 263 | V _{SS} |
| 12 | DQ2 | 48 | V _{SS} | 84 | CS0_n | 120 | V _{SS} | 156 | V _{SS} | 192 | CB5 | 228 | WE_n/ A14 | 264 | DQ49 |
| 13 | V _{SS} | 49 | CB0 | 85 | V _{DD} | 121 | DQS15_t | 157 | DQ3 | 193 | V _{SS} | 229 | V _{DD} | 265 | V _{SS} |
| 14 | DQ12 | 50 | V _{SS} | 86 | CAS_n/ A15 | 122 | DQS15_c | 158 | V _{SS} | 194 | CB1 | 230 | NC | 266 | DQS6_c |
| 15 | V _{SS} | 51 | DQS17_t | 87 | ODT0 | 123 | V _{SS} | 159 | DQ13 | 195 | V _{SS} | 231 | V _{DD} | 267 | DQS6_t |
| 16 | DQ8 | 52 | DQS17_c | 88 | V _{DD} | 124 | DQ54 | 160 | V _{SS} | 196 | DQS8_c | 232 | A13 | 268 | V _{SS} |
| 17 | V _{SS} | 53 | V _{SS} | 89 | CS1_n | 125 | V _{SS} | 161 | DQ9 | 197 | DQS8_t | 233 | V _{DD} | 269 | DQ55 |
| 18 | DQS10_t | 54 | CB6 | 90 | V _{DD} | 126 | DQ50 | 162 | V _{SS} | 198 | V _{SS} | 234 | A17 | 270 | V _{SS} |
| 19 | DQS10_c | 55 | V _{SS} | 91 | ODT1 | 127 | V _{SS} | 163 | DQS1_c | 199 | CB7 | 235 | NF C2 | 271 | DQ51 |
| 20 | V _{SS} | 56 | CB2 | 92 | V _{DD} | 128 | DQ60 | 164 | DQS1_t | 200 | V _{SS} | 236 | V _{DD} | 272 | V _{SS} |
| 21 | DQ14 | 57 | V _{SS} | 93 | CS2_n C0 | 129 | V _{SS} | 165 | V _{SS} | 201 | CB3 | 237 | CS3_n C1 | 273 | DQ61 |
| 22 | V _{SS} | 58 | RESET_n | 94 | V _{SS} | 130 | DQ56 | 166 | DQ15 | 202 | V _{SS} | 238 | SA2 | 274 | V _{SS} |
| 23 | DQ10 | 59 | V _{DD} | 95 | DQ36 | 131 | V _{SS} | 167 | V _{SS} | 203 | CKE1 | 239 | V _{SS} | 275 | DQ57 |
| 24 | V _{SS} | 60 | CKE0 | 96 | V _{SS} | 132 | DQS16_t | 168 | DQ11 | 204 | V _{DD} | 240 | DQ37 | 276 | V _{SS} |
| 25 | DQ20 | 61 | V _{DD} | 97 | DQ32 | 133 | DQS16_c | 169 | V _{SS} | 205 | NC | 241 | V _{SS} | 277 | DQS7_c |
| 26 | V _{SS} | 62 | ACT_n | 98 | V _{SS} | 134 | V _{SS} | 170 | DQ21 | 206 | V _{DD} | 242 | DQ33 | 278 | DQS7_t |
| 27 | DQ16 | 63 | BG0 | 99 | DQS13_t | 135 | DQ62 | 171 | V _{SS} | 207 | BG1 | 243 | V _{SS} | 279 | V _{SS} |
| 28 | V _{SS} | 64 | V _{DD} | 100 | DQS13_c | 136 | V _{SS} | 172 | DQ17 | 208 | ALERT_n | 244 | DQS4_c | 280 | DQ63 |
| 29 | DQS11_t | 65 | A12_BC_n | 101 | V _{SS} | 137 | DQ58 | 173 | V _{SS} | 209 | V _{DD} | 245 | DQS4_t | 281 | V _{SS} |
| 30 | DQS11_c | 66 | A9 | 102 | DQ38 | 138 | V _{SS} | 174 | DQS2_c | 210 | A11 | 246 | V _{SS} | 282 | DQ59 |
| 31 | V _{SS} | 67 | V _{DD} | 103 | V _{SS} | 139 | SA0 | 175 | DQS2_t | 211 | A7 | 247 | DQ39 | 283 | V _{SS} |
| 32 | DQ22 | 68 | A8 | 104 | DQ34 | 140 | SA1 | 176 | V _{SS} | 212 | V _{DD} | 248 | V _{SS} | 284 | V _{DDSPD} |
| 33 | V _{SS} | 69 | A6 | 105 | V _{SS} | 141 | SCL | 177 | DQ23 | 213 | A5 | 249 | DQ35 | 285 | SDA |
| 34 | DQ18 | 70 | V _{DD} | 106 | DQ44 | 142 | V _{PP} | 178 | V _{SS} | 214 | A4 | 250 | V _{SS} | 286 | V _{PP} |
| 35 | V _{SS} | 71 | A3 | 107 | V _{SS} | 143 | V _{PP} | 179 | DQ19 | 215 | V _{DD} | 251 | DQ45 | 287 | V _{PP} |
| 36 | DQ28 | 72 | A1 | 108 | DQ40 | 144 | NC | 180 | V _{SS} | 216 | A2 | 252 | V _{SS} | 288 | V _{PP} |



Pin Descriptions

The pin description table below is a comprehensive list of all possible pins for DDR4 modules. All pins listed may not be supported on this module. See Functional Block Diagram for pins specific to this module.

Table 5: Pin Descriptions

| Symbol | Type | Description |
|-----------------------------------|-------|--|
| Ax | Input | Address inputs: Provide the row address for ACTIVATE commands and the column address for READ/WRITE commands in order to select one location out of the memory array in the respective bank (A10/AP, A12/BC_n, WE_n/A14, CAS_n/A15, and RAS_n/A16 have additional functions; see individual entries in this table). The address inputs also provide the op-code during the MODE REGISTER SET command. A17 is only defined for x4 SDRAM. |
| A10/AP | Input | Auto precharge: A10 is sampled during READ and WRITE commands to determine whether an auto precharge should be performed on the accessed bank after a READ or WRITE operation (HIGH = auto precharge; LOW = no auto precharge). A10 is sampled during a PRECHARGE command to determine whether the precharge applies to one bank (A10 LOW) or all banks (A10 HIGH). If only one bank is to be precharged, the bank is selected by the bank group and bank addresses. |
| A12/BC_n | Input | Burst chop: A12/BC_n is sampled during READ and WRITE commands to determine if burst chop (on-the-fly) will be performed (HIGH = no burst chop; LOW = burst chopped). See Command Truth Table in the DDR4 component data sheet. |
| ACT_n | Input | Command input: ACT_n defines the ACTIVATE command being entered along with CS_n. The input into RAS_n/A16, CAS_n/A15, and WE_n/A14 are considered as row address A16, A15, and A14. See Command Truth Table. |
| BAx | Input | Bank address inputs: Define the bank (with a bank group) to which an ACTIVATE, READ, WRITE, or PRECHARGE command is being applied. Also determine which mode register is to be accessed during a MODE REGISTER SET command. |
| BGx | Input | Bank group address inputs: Define the bank group to which a REFRESH, ACTIVATE, READ, WRITE, or PRECHARGE command is being applied. Also determine which mode register is to be accessed during a MODE REGISTER SET command. BG[1:0] are used in the x4 and x8 configurations. x16-based SDRAM only has BG0. |
| C0, C1, C2 (RDIMM/LRDIMM only) | Input | Chip ID: These inputs are used only when devices are stacked; that is, 2H, 4H, and 8H stacks for x4 and x8 configurations using through-silicon vias (TSVs). These pins are not used in the x16 configuration. Some DDR4 modules support a traditional DDP package, which uses CS1_n, CKE1, and ODT1 to control the second die. All other stack configurations, such as a 4H or 8H, are assumed to be single-load (master/slave) type configurations where C0, C1, and C2 are used as chip ID selects in conjunction with a single CS_n, CKE, and ODT. Chip ID is considered part of the command code. |
| CKx_t CKx_c | Input | Clock: Differential clock inputs. All address, command, and control input signals are sampled on the crossing of the positive edge of CK_t and the negative edge of CK_c. |
| CKEx | Input | Clock enable: CKE HIGH activates and CKE LOW deactivates the internal clock signals, device input buffers, and output drivers. Taking CKE LOW provides PRECHARGE POWER-DOWN and SELF REFRESH operations (all banks idle), or active power-down (row active in any bank). CKE is asynchronous for self refresh exit. After V _{REFCA} has become stable during the power-on and initialization sequence, it must be maintained during all operations (including SELF REFRESH). CKE must be maintained HIGH throughout read and write accesses. Input buffers (excluding CK_t, CK_c, ODT, RESET_n, and CKE) are disabled during power-down. Input buffers (excluding CKE and RESET_n) are disabled during self refresh. |
| CSx_n | Input | Chip select: All commands are masked when CS_n is registered HIGH. CS_n provides external rank selection on systems with multiple ranks. CS_n is considered part of the command code (CS2_n and CS3_n are not used on UDIMMs). |



128GB (x72, ECC, 3DS 4H Stack, 2 Package Ranks x 4 Logic Ranks) 288-Pin DDR4 LRDIMM Pin Descriptions

Table 5: Pin Descriptions (Continued)

| Symbol | Type | Description |
|---|------------|--|
| ODTx | Input | On-die termination: ODT (registered HIGH) enables termination resistance internal to the DDR4 SDRAM. When enabled, ODT (R_{TT}) is applied only to each DQ, DQS _t , DQS _c , DM _n /DBI _n /TDQS _t , and TDQS _c signal for x4 and x8 configurations (when the TDQS function is enabled via the mode register). For the x16 configuration, R_{TT} is applied to each DQ, DQSU _t , DQSU _c , DQSL _t , DQSL _c , UDM _n , and LDM _n signal. The ODT pin will be ignored if the mode registers are programmed to disable R_{TT} . |
| PARITY | Input | Parity for command and address: This function can be enabled or disabled via the mode register. When enabled in MR5, the DRAM calculates parity with ACT _n , RAS _n /A16, CAS _n /A15, WE _n /A14, BG[1:0], BA[1:0], A[16:0]. Input parity should be maintained at the rising edge of the clock and at the same time as command and address with CS _n LOW. |
| RAS _n /A16 CAS _n /A15 WE _n /A14 | Input | Command inputs: RAS _n /A16, CAS _n /A15, and WE _n /A14 (along with CS _n) define the command and/or address being entered and have multiple functions. For example, for activation with ACT _n LOW, these are addresses like A16, A15, and A14, but for a non-activation command with ACT _n HIGH, these are command pins for READ, WRITE, and other commands defined in Command Truth Table. |
| RESET _n | CMOS Input | Active LOW asynchronous reset: Reset is active when RESET _n is LOW and inactive when RESET _n is HIGH. RESET _n must be HIGH during normal operation. |
| SAX | Input | Serial address inputs: Used to configure the temperature sensor/SPD EEPROM address range on the I ² C bus. |
| SCL | Input | Serial clock for temperature sensor/SPD EEPROM: Used to synchronize communication to and from the temperature sensor/SPD EEPROM on the I ² C bus. |
| DQx, CBx | I/O | Data input/output and check bit input/output: Bidirectional data bus. DQ represents DQ[3:0], DQ[7:0], and DQ[15:0] for the x4, x8, and x16 configurations, respectively. If cyclic redundancy checksum (CRC) is enabled via the mode register, the CRC code is added at the end of the data burst. Any one or all of DQ0, DQ1, DQ2, or DQ3 may be used for monitoring of internal V_{REF} level during test via mode register setting MR[4] A[4] = HIGH; training times change when enabled. |
| DM _n /DBI _n / TDQS _t (DMU _n , DBIU _n), (DML _n / DBIL _n) | I/O | Input data mask and data bus inversion: DM _n is an input mask signal for write data. Input data is masked when DM _n is sampled LOW coincident with that input data during a write access. DM _n is sampled on both edges of DQS. DM is multiplexed with the DBI function by the mode register A10, A11, and A12 settings in MR5. For a x8 device, the function of DM or TDQS is enabled by the mode register A11 setting in MR1. DBI _n is an input/output identifying whether to store/output the true or inverted data. If DBI _n is LOW, the data will be stored/output after inversion inside the DDR4 device and not inverted if DBI _n is HIGH. TDQS is only supported in x8 SDRAM configurations (TDQS is not valid for UDIMMs). |
| SDA | I/O | Serial Data: Bidirectional signal used to transfer data in or out of the EEPROM or EEPROM/TS combo device. |
| DQS _t DQS _c DQSU _t DQSU _c DQSL _t DQSL _c | I/O | Data strobe: Output with read data, input with write data. Edge-aligned with read data, centered-aligned with write data. For x16 configurations, DQSL corresponds to the data on DQ[7:0], and DQSU corresponds to the data on DQ[15:8]. For the x4 and x8 configurations, DQS corresponds to the data on DQ[3:0] and DQ[7:0], respectively. DDR4 SDRAM supports a differential data strobe only and does not support a single-ended data strobe. |
| ALERT _n | Output | Alert output: Possesses functions such as CRC error flag and command and address parity error flag as output signal. If a CRC error occurs, ALERT _n goes LOW for the period time interval and returns HIGH. If an error occurs during a command address parity check, ALERT _n goes LOW until the on-going DRAM internal recovery transaction is complete. During connectivity test mode, this pin functions as an input. Use of this signal is system-dependent. If not connected as signal, ALERT _n pin must be connected to V_{DD} on DIMMs. |
| EVENT _n | Output | Temperature event: The EVENT _n pin is asserted by the temperature sensor when critical temperature thresholds have been exceeded. This pin has no function (NF) on modules without temperature sensors. |



128GB (x72, ECC, 3DS 4H Stack, 2 Package Ranks x 4 Logic Ranks) 288-Pin DDR4 LRDIMM Pin Descriptions

Table 5: Pin Descriptions (Continued)

| Symbol | Type | Description |
|--|--------|--|
| TDQS_t TDQS_c (x8 DRAM-based RDIMM only) | Output | Termination data strobe: When enabled via the mode register, the DRAM device enables the same R_{TT} termination resistance on TDQS_t and TDQS_c that is applied to DQS_t and DQS_c. When the TDQS function is disabled via the mode register, the DM/TDQS_t pin provides the data mask (DM) function, and the TDQS_c pin is not used. The TDQS function must be disabled in the mode register for both the x4 and x16 configurations. The DM function is supported only in x8 and x16 configurations. DM, DBI, and TDQS are a shared pin and are enabled/disabled by mode register settings. For more information about TDQS, see the DDR4 DRAM component data sheet (TDQS_t and TDQS_c are not valid for UDIMMs). |
| V_{DD} | Supply | Module power supply: 1.2V (TYP). |
| V_{PP} | Supply | DRAM activating power supply: 2.5V –0.125V / +0.250V. |
| V_{REFCA} | Supply | Reference voltage for control, command, and address pins. |
| V_{SS} | Supply | Ground. |
| V_{TT} | Supply | Power supply for termination of address, command, and control $V_{DD}/2$. |
| V_{DDSPD} | Supply | Power supply used to power the I ² C bus for SPD. |
| RFU | – | Reserved for future use. |
| NC | – | No connect: No internal electrical connection is present. |
| NF | – | No function: May have internal connection present, but has no function. |



DQ Map

Table 6: Component-to-Module DQ Map, Front

| Component Reference Number | Component DQ | Module DQ | Module Pin Number | Component Reference Number | Component DQ | Module DQ | Module Pin Number |
|----------------------------|--------------|-----------|-------------------|----------------------------|--------------|-----------|-------------------|
| U1 | 0 | 0 | 5 | U2 | 0 | 10 | 23 |
| | 1 | 2 | 12 | | 1 | 8 | 16 |
| | 2 | 1 | 150 | | 2 | 11 | 168 |
| | 3 | 3 | 157 | | 3 | 9 | 161 |
| U3 | 0 | 22 | 32 | U4 | 0 | 31 | 188 |
| | 1 | 21 | 170 | | 1 | 29 | 181 |
| | 2 | 23 | 177 | | 2 | 30 | 43 |
| | 3 | 20 | 25 | | 3 | 28 | 36 |
| U5 | 0 | CB6 | 54 | U7 | 0 | 34 | 104 |
| | 1 | CB5 | 192 | | 1 | 32 | 97 |
| | 2 | CB7 | 199 | | 2 | 35 | 249 |
| | 3 | CB4 | 47 | | 3 | 33 | 242 |
| U8 | 0 | 40 | 108 | U9 | 0 | 50 | 126 |
| | 1 | 42 | 115 | | 1 | 48 | 119 |
| | 2 | 41 | 253 | | 2 | 51 | 271 |
| | 3 | 43 | 260 | | 3 | 49 | 264 |
| U10 | 0 | 60 | 128 | U11 | 0 | 7 | 155 |
| | 1 | 62 | 135 | | 1 | 5 | 148 |
| | 2 | 61 | 273 | | 2 | 6 | 10 |
| | 3 | 63 | 280 | | 3 | 4 | 3 |
| U12 | 0 | 14 | 21 | U13 | 0 | 17 | 172 |
| | 1 | 12 | 14 | | 1 | 19 | 179 |
| | 2 | 15 | 166 | | 2 | 16 | 27 |
| | 3 | 13 | 159 | | 3 | 18 | 34 |
| U14 | 0 | 25 | 183 | U15 | 0 | CB0 | 49 |
| | 1 | 27 | 190 | | 1 | CB3 | 201 |
| | 2 | 24 | 38 | | 2 | CB1 | 194 |
| | 3 | 26 | 45 | | 3 | CB2 | 56 |
| U17 | 0 | 38 | 102 | U18 | 0 | 46 | 113 |
| | 1 | 36 | 95 | | 1 | 44 | 106 |
| | 2 | 39 | 247 | | 2 | 47 | 258 |
| | 3 | 37 | 240 | | 3 | 45 | 251 |
| U19 | 0 | 52 | 117 | U20 | 0 | 58 | 137 |
| | 1 | 54 | 124 | | 1 | 57 | 275 |
| | 2 | 53 | 262 | | 2 | 59 | 282 |
| | 3 | 55 | 269 | | 3 | 56 | 130 |



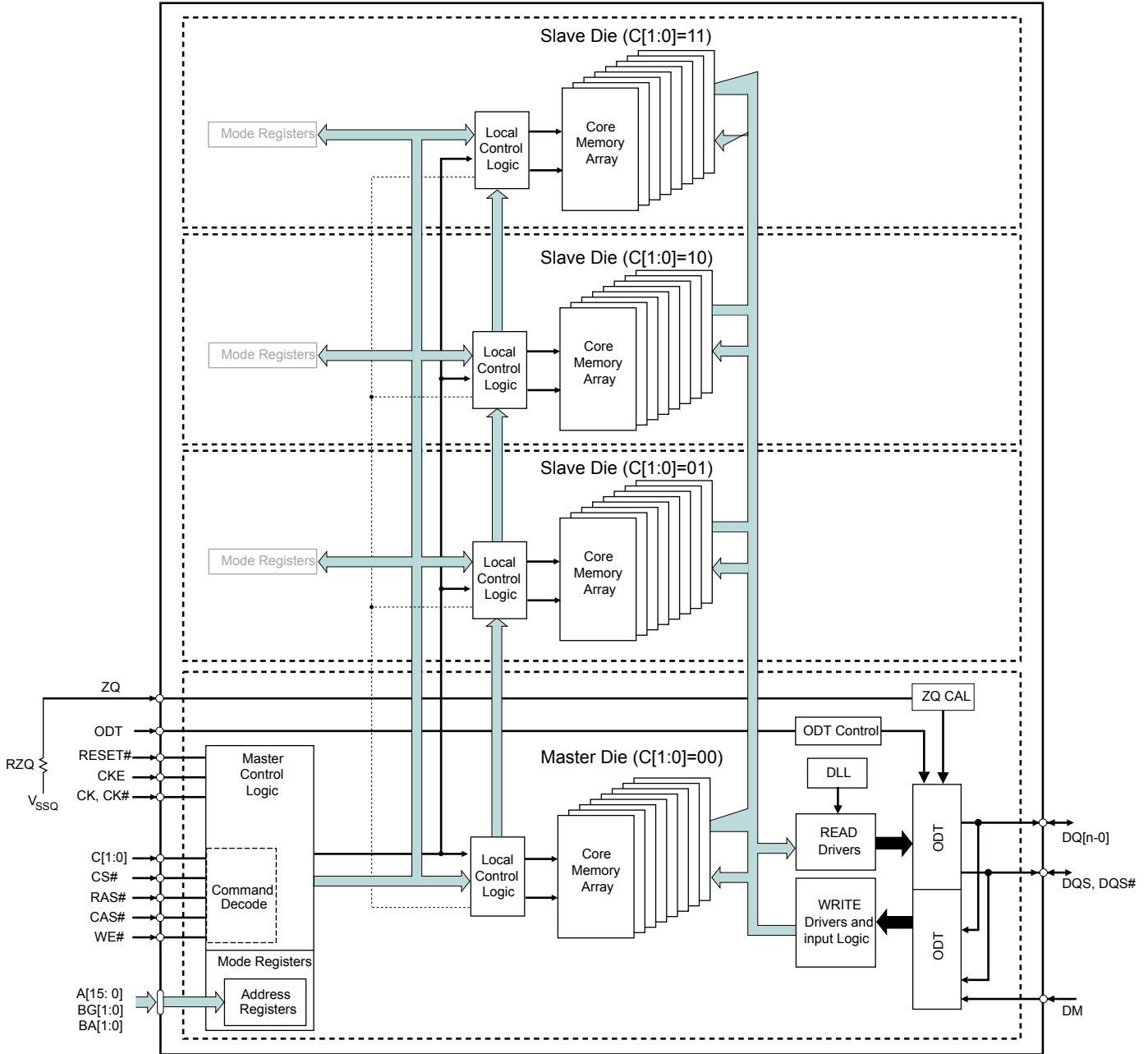
128GB (x72, ECC, 3DS 4H Stack, 2 Package Ranks x 4 Logic Ranks) 288-Pin DDR4 LRDIMM DQ Map

Table 7: Component-to-Module DQ Map, Back

| Component Reference Number | Component DQ | Module DQ | Module Pin Number | Component Reference Number | Component DQ | Module DQ | Module Pin Number |
|----------------------------|--------------|-----------|-------------------|----------------------------|--------------|-----------|-------------------|
| U21 | 0 | 62 | 135 | U22 | 0 | 48 | 119 |
| | 1 | 60 | 128 | | 1 | 50 | 126 |
| | 2 | 63 | 280 | | 2 | 49 | 264 |
| | 3 | 61 | 273 | | 3 | 51 | 271 |
| U23 | 0 | 42 | 115 | U24 | 0 | 32 | 97 |
| | 1 | 40 | 108 | | 1 | 34 | 104 |
| | 2 | 43 | 260 | | 2 | 33 | 242 |
| | 3 | 41 | 253 | | 3 | 35 | 249 |
| U25 | 0 | CB5 | 192 | U26 | 0 | 29 | 181 |
| | 1 | CB5 | 54 | | 1 | 31 | 188 |
| | 2 | CB4 | 47 | | 2 | 28 | 36 |
| | 3 | CB7 | 199 | | 3 | 30 | 43 |
| U27 | 0 | 21 | 170 | U28 | 0 | 8 | 16 |
| | 1 | 22 | 32 | | 1 | 10 | 23 |
| | 2 | 20 | 25 | | 2 | 9 | 161 |
| | 3 | 23 | 177 | | 3 | 11 | 168 |
| U29 | 0 | 2 | 12 | U30 | 0 | 57 | 275 |
| | 1 | 0 | 5 | | 1 | 58 | 137 |
| | 2 | 3 | 157 | | 2 | 56 | 130 |
| | 3 | 1 | 150 | | 3 | 59 | 282 |
| U31 | 0 | 54 | 124 | U32 | 0 | 44 | 106 |
| | 1 | 52 | 117 | | 1 | 46 | 113 |
| | 2 | 55 | 269 | | 2 | 45 | 251 |
| | 3 | 53 | 262 | | 3 | 47 | 258 |
| U33 | 0 | 36 | 95 | U34 | 0 | CB3 | 201 |
| | 1 | 38 | 102 | | 1 | CB0 | 49 |
| | 2 | 37 | 240 | | 2 | CB2 | 56 |
| | 3 | 39 | 247 | | 3 | CB1 | 194 |
| U35 | 0 | 27 | 190 | U36 | 0 | 19 | 179 |
| | 1 | 25 | 183 | | 1 | 17 | 172 |
| | 2 | 26 | 45 | | 2 | 18 | 34 |
| | 3 | 24 | 38 | | 3 | 16 | 27 |
| U37 | 0 | 12 | 14 | U38 | 0 | 5 | 148 |
| | 1 | 14 | 21 | | 1 | 7 | 155 |
| | 2 | 13 | 159 | | 2 | 4 | 3 |
| | 3 | 15 | 166 | | 3 | 6 | 10 |

3DS Device Functional Block Diagram

Figure 2: 4-high 3DS Device Functional Block Diagram

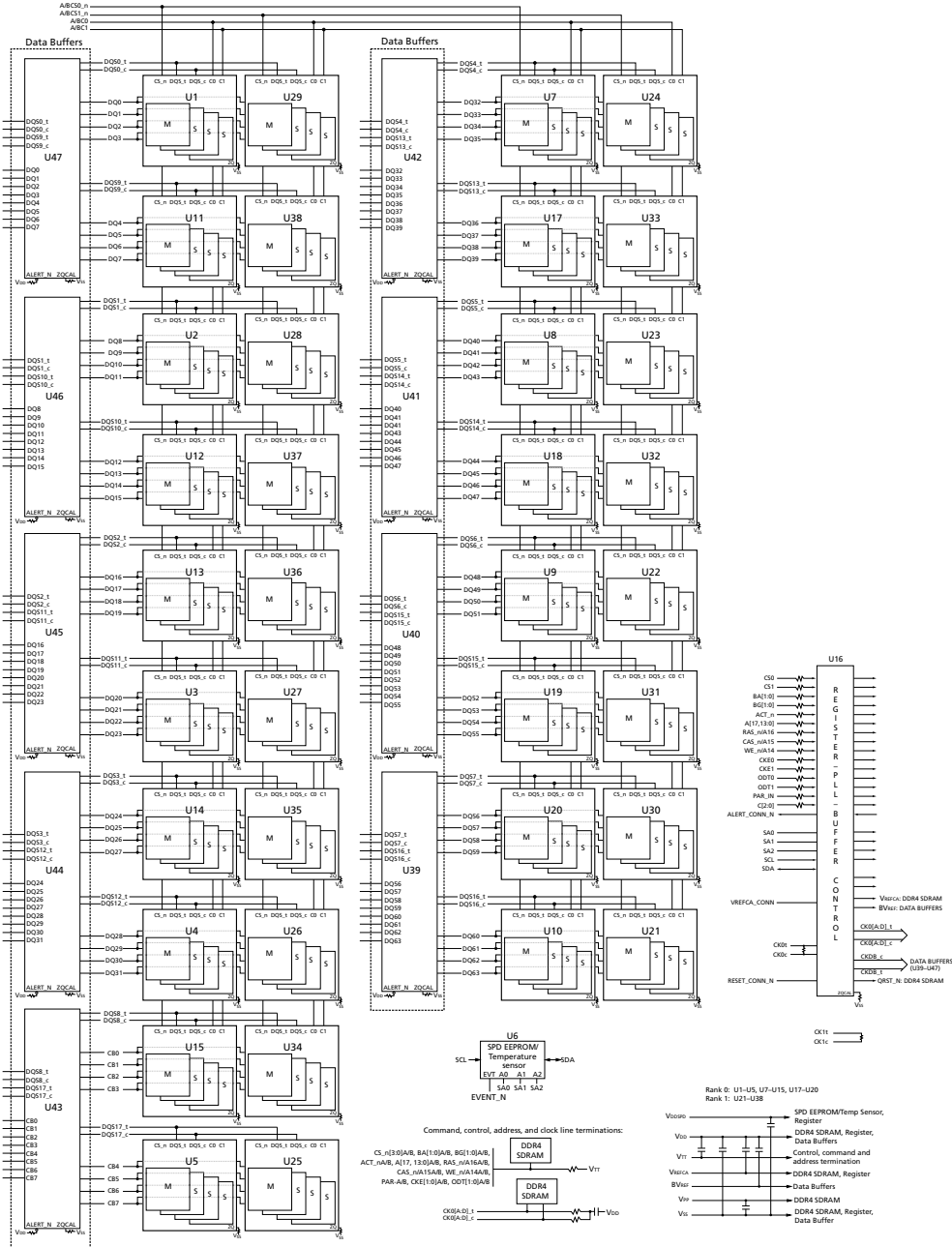




128GB (x72, ECC, 3DS 4H Stack, 2 Package Ranks x 4 Logic Ranks) 288-Pin DDR4 LRDIMM Module Functional Block Diagram

Module Functional Block Diagram

Figure 3: Functional Block Diagram



Note: 1. The ZQ ball on each DDR4 component is connected to an external 240Ω ±1% resistor that is tied to ground. It is used for the calibration of the component's ODT and output driver.



General Description

High-speed DDR4 SDRAM modules use DDR4 SDRAM devices with two or four internal memory bank groups. DDR4 SDRAM modules utilizing 4- and 8-bit-wide DDR4 SDRAM devices have four internal bank groups consisting of four memory banks each, providing a total of 16 banks. 16-bit-wide DDR4 SDRAM devices have two internal bank groups consisting of four memory banks each, providing a total of eight banks. DDR4 SDRAM modules benefit from DDR4 SDRAM's use of an $8n$ -prefetch architecture with an interface designed to transfer two data words per clock cycle at the I/O pins. A single READ or WRITE operation for the DDR4 SDRAM effectively consists of a single $8n$ -bit-wide, four-clock data transfer at the internal DRAM core and eight corresponding n -bit-wide, one-half-clock-cycle data transfers at the I/O pins.

DDR4 modules use two sets of differential signals: DQS_t and DQS_c to capture data and CK_t and CK_c to capture commands, addresses, and control signals. Differential clocks and data strobes ensure exceptional noise immunity for these signals and provide precise crossing points to capture input signals.

Fly-By Topology

DDR4 modules use faster clock speeds than earlier DDR technologies, making signal quality more important than ever. For improved signal quality, the clock, control, command, and address buses have been routed in a fly-by topology, where each clock, control, command, and address pin on each DRAM is connected to a single trace and terminated (rather than a tree structure, where the termination is off the module near the connector). Inherent to fly-by topology, the timing skew between the clock and DQS signals can be easily accounted for by using the write-leveling feature of DDR4.

Module Manufacturing Location

Micron Technology manufactures modules at sites world-wide. Customers may receive modules from any of the following manufacturing locations:

Table 8: DRAM Module Manufacturing Locations

| Manufacturing Site Location | Country of Origin Specified on Label |
|-----------------------------|--------------------------------------|
| Boise, USA | USA |
| Aguadilla, Puerto Rico | Puerto Rico |
| Xian, China | China |
| Singapore | Singapore |



Address Mapping to DRAM

Address Mirroring

To achieve optimum routing of the address bus on DDR4 multi rank modules, the address bus will be wired as shown in the table below, or mirrored. For quad rank modules, ranks 1 and 3 are mirrored and ranks 0 and 2 are non-mirrored. Highlighted address pins have no secondary functions allowing for normal operation when cross-wired. Data is still read from the same address it was written. However, Load Mode operations require a specific address. This requires the controller to accommodate for a rank that is "mirrored." Systems may reference DDR4 SPD to determine if the module has mirroring implemented or not. See the JEDEC DDR4 SPD specification for more details.

Table 9: Address Mirroring

| Edge Connector Pin | DRAM Pin, Non-mirrored | DRAM Pin, Mirrored |
|--------------------|------------------------|--------------------|
| A0 | A0 | A0 |
| A1 | A1 | A1 |
| A2 | A2 | A2 |
| A3 | A3 | A4 |
| A4 | A4 | A3 |
| A5 | A5 | A6 |
| A6 | A6 | A5 |
| A7 | A7 | A8 |
| A8 | A8 | A7 |
| A9 | A9 | A9 |
| A10 | A10 | A10 |
| A11 | A11 | A13 |
| A13 | A13 | A11 |
| A12 | A12 | A12 |
| A14 | A14 | A14 |
| A15 | A15 | A15 |
| A16 | A16 | A16 |
| A17 | A17 | A17 |
| BA0 | BA0 | BA1 |
| BA1 | BA1 | BA0 |
| BG0 | BG0 | BG1 |
| BG1 | BG1 | BG0 |

Registering Clock Driver Operation

Registered DDR4 SDRAM modules use a registering clock driver device consisting of a register and a phase-lock loop (PLL). The device complies with the JEDEC DDR4 RCD specification.

To reduce the electrical load on the host memory controller's command, address, and control bus, Micron's RDIMMs utilize a DDR4 registering clock driver (RCD). The RCD presents a single load to the controller while redriving signals to the DDR4 SDRAM devices, which helps enable higher densities and increase signal integrity. The RCD also provides a low-jitter, low-skew PLL that redistributes a differential clock pair to multiple differential pairs of clock outputs.

Control Words

The RCD device(s) used on DDR4 RDIMMs, LRDIMMs, and NVDIMMs contain configuration registers known as control words, which the host uses to configure the RCD based on criteria determined by the module design. Control words can be set by the host controller through either the DRAM address and control bus or the I²C bus interface. The RCD I²C bus interface resides on the same I²C bus interface as the module temperature sensor and EEPROM.

Parity Operations

The RCD includes a parity-checking function that can be enabled or disabled in control word RC0E. The RCD receives a parity bit at the DPAR input from the memory controller and compares it with the data received on the qualified command and address inputs; it indicates on its open-drain ALERT_n pin whether a parity error has occurred. If parity checking is enabled, the RCD forwards commands to the SDRAM when no parity error has occurred. If the parity error function is disabled, the RCD forwards sampled commands to the SDRAM regardless of whether a parity error has occurred. Parity is also checked during control word WRITE operations unless parity checking is disabled.

Rank Addressing

The chip select pins (CS_n) on Micron's modules are used to select a specific rank of DRAM. The RDIMM is capable of selecting ranks in one of three different operating modes, dependant on setting DA[1:0] bits in the DIMM configuration control word located within the RCD. Direct DualCS mode is utilized for single- or dual-rank modules. For quad-rank modules, either direct or encoded QuadCS mode is used.

Data Buffer Operation and Description

Data buffers operate as 4-bit bidirectional data registers with differential strobes, designed for 1.2 V_{DD} operation. Each buffer has a dual 4-bit host bus interface connected to the memory controller and a dual 4-bit DRAM interface connected to two x4 DRAM devices. Each buffer has an input-only 4-bit control bus interface consisting of two dedicated control signals, a voltage reference input, and a differential clock signal.

All DQ inputs are pseudo-differentiated with an internal voltage reference. All DQ outputs are V_{DD}-terminated drivers that are optimized to drive single- or dual-terminated traces in DDR4 LRDIMM applications. The differential DQS strobes are used to sample the DQ inputs and are regenerated internally to drive the DQ outputs on the opposite side of the device.



128GB (x72, ECC, 3DS 4H Stack, 2 Package Ranks x 4 Logic Ranks) 288-Pin DDR4 LRDIMM Data Buffer Operation and Description

Control inputs are sampled by the clock inputs, and each data buffer supports ZQ calibration for parity (with dedicated pins) and sequence error alerts.



Temperature Sensor with SPD EEPROM Operation

Thermal Sensor Operations

The integrated thermal sensor continuously monitors the temperature of the module PCB directly below the device and updates the temperature data register. Temperature data may be read from the bus host at any time, which provides the host real-time feedback of the module's temperature. Multiple programmable and read-only temperature registers can be used to create a custom temperature-sensing solution based on system requirements and JEDEC JC-42.2.

EVENT_n Pin

The temperature sensor also adds the EVENT_n pin (open-drain), which requires a pull-up to V_{DDSPD}. EVENT_n is a temperature sensor output used to flag critical events that can be set up in the sensor's configuration registers. EVENT_n is not used by the serial presence-detect (SPD) EEPROM.

EVENT_n has three defined modes of operation: interrupt, comparator, and TCRT. In interrupt mode, the EVENT_n pin remains asserted until it is released by writing a 1 to the clear event bit in the status register. In comparator mode, the EVENT_n pin clears itself when the error condition is removed. Comparator mode is always used when the temperature is compared against the TCRT limit. In TCRT only mode, the EVENT_n pin is only asserted if the measured temperature exceeds the TCRT limit; it then remains asserted until the temperature drops below the TCRT limit minus the TCRT hysteresis.

SPD EEPROM Operation

DDR4 SDRAM modules incorporate SPD. The SPD data is stored in a 512-byte, JEDEC JC-42.4-compliant EEPROM that is segregated into four 128-byte, write-protectable blocks. The SPD content is aligned with these blocks as shown in the table below.

| Block | Range | | Description |
|-------|---------|-----------|-----------------------------------|
| 0 | 0–127 | 000h–07Fh | Configuration and DRAM parameters |
| 1 | 128–255 | 080h–0FFh | Module parameters |
| 2 | 256–319 | 100h–13Fh | Reserved (all bytes coded as 00h) |
| | 320–383 | 140h–17Fh | Manufacturing information |
| 3 | 384–511 | 180h–1FFh | End-user programmable |

The first 384 bytes are programmed by Micron to comply with JEDEC standard JC-45, "Appendix X: Serial Presence Detect (SPD) for DDR4 SDRAM Modules." The remaining 128 bytes of storage are available for use by the customer.

The EEPROM resides on a two-wire I²C serial interface and is not integrated with the memory bus in any manner. It operates as a slave device in the I²C bus protocol, with all operations synchronized by the serial clock. Transfer rates of up to 1 MHz are achievable at 2.5V (NOM).

Micron implements reversible software write protection on DDR4 SDRAM-based modules. This prevents the lower 384 bytes (bytes 0 to 383) from being inadvertently programmed or corrupted. The upper 128 bytes remain available for customer use and are unprotected.



Electrical Specifications

Stresses greater than those listed may cause permanent damage to the module. This is a stress rating only, and functional operation of the module at these or any other conditions outside those indicated in each device's data sheet is not implied. Exposure to absolute maximum rating conditions for extended periods may adversely affect reliability.

Table 10: Absolute Maximum Ratings

| Symbol | Parameter | Min | Max | Units | Notes |
|------------------------------------|---|------|-----|-------|-------|
| V _{DD} | V _{DD} supply voltage relative to V _{SS} | -0.4 | 1.5 | V | 1 |
| V _{DDQ} | V _{DDQ} supply voltage relative to V _{SS} | -0.4 | 1.5 | V | 1 |
| V _{PP} | Voltage on V _{PP} pin relative to V _{SS} | -0.4 | 3.0 | V | 2 |
| V _{IN} , V _{OUT} | Voltage on any pin relative to V _{SS} | -0.4 | 1.5 | V | |

Table 11: Operating Conditions

| Symbol | Parameter | Min | Nom | Max | Units | Notes |
|------------------------|---|-------------------------------|-----------------------|-------------------------------|-------|-------|
| V _{DD} | V _{DD} supply voltage | 1.14 | 1.20 | 1.26 | V | 1 |
| V _{PP} | DRAM activating power supply | 2.375 | 2.5 | 2.75 | V | 2 |
| V _{REFCA(DC)} | Input reference voltage – command/address bus | 0.49 × V _{DD} | 0.5 × V _{DD} | 0.51 × V _{DD} | V | 3 |
| I _{VTT} | Termination reference current from V _{TT} | -750 | - | 750 | mA | |
| V _{TT} | Termination reference voltage (DC) – command/address bus | 0.49 × V _{DD} - 20mV | 0.5 × V _{DD} | 0.51 × V _{DD} + 20mV | V | 4 |
| I _{IN} | Input leakage current; any input excluding ZQ; 0V < V _{IN} < 1.1V | -2 | - | 2 | μA | 5 |
| I _{ZQ} | Input leakage current; ZQ | -3 | - | 3 | μA | 6, 7 |
| I _{I/O} | DQ leakage; 0V < V _{IN} < V _{DD} | -4 | - | 4 | μA | 7 |
| I _{OZpd} | Output leakage current; V _{OUT} = V _{DD} ; DQ is disabled | - | - | 5 | μA | |
| I _{OZpu} | Output leakage current; V _{OUT} = V _{SS} ; DQ and ODT are disabled; ODT is disabled with ODT input HIGH | - | - | 50 | μA | |
| I _{VREFCA} | V _{REFCA} leakage; V _{REFCA} = V _{DD} /2 (after DRAM is initialized) | -2 | - | 2 | μA | 7 |

- Notes:
1. V_{DDQ} balls on DRAM are tied to V_{DD}.
 2. V_{PP} must be greater than or equal to V_{DD} at all times.
 3. V_{REFCA} must not be greater than 0.6 × V_{DD}. When V_{DD} is less than 500mV, V_{REF} may be less than or equal to 300mV.
 4. V_{TT} termination voltages in excess of specification limit adversely affect command and address signals' voltage margins and reduce timing margins.
 5. Command and address inputs are terminated to V_{DD}/2 in the registering clock driver. Input current is dependent on termination resistance set in the registering clock driver.
 6. Tied to ground. Not connected to edge connector.
 7. Multiply by number of DRAM die on module.



128GB (x72, ECC, 3DS 4H Stack, 2 Package Ranks x 4 Logic Ranks) 288-Pin DDR4 LRDIMM Electrical Specifications

Table 12: Thermal Characteristics

| Symbol | Parameter/Condition | Value | Units | Notes |
|-------------------|--|------------|---------|------------|
| T _C | Commercial operating case temperature | 0 to 85 | °C | 1, 2, 3 |
| T _C | | >85 to 95 | °C | 1, 2, 3, 4 |
| T _{OPER} | Normal operating temperature range | 0 to 85 | °C | 5, 7 |
| T _{OPER} | Extended temperature operating range (optional) | >85 to 95 | °C | 5, 7 |
| T _{STG} | Non-operating storage temperature | -55 to 100 | °C | 6 |
| RH _{STG} | Non-operating storage relative humidity (non-condensing) | 5 to 95 | % | |
| NA | Change rate of storage temperature | 20 | °C/hour | |

- Notes:
1. Maximum operating case temperature; T_C is measured in the center of the package.
 2. A thermal solution must be designed to ensure the DRAM device does not exceed the maximum T_C during operation.
 3. Device functionality is not guaranteed if the DRAM device exceeds the maximum T_C during operation.
 4. If T_C exceeds 85°C, the DRAM must be refreshed externally at 2X refresh, which is a 3.9µs interval refresh rate.
 5. The refresh rate must double when 85°C < T_{OPER} ≤ 95°C.
 6. Storage temperature is defined as the temperature of the top/center of the DRAM and does not reflect the storage temperatures of shipping trays.
 7. For additional information, refer to technical note TN-00-08: "Thermal Applications" available at micron.com.



DRAM Operating Conditions

Recommended AC operating conditions are given in the DDR4 component data sheets. Component specifications are available at micron.com. Module speed grades correlate with component speed grades, as shown below.

Table 13: Module and Component Speed Grades

DDR4 components may exceed the listed module speed grades; module may not be available in all listed speed grades

| Module Speed Grade | Component Speed Grade |
|--------------------|-----------------------|
| -3S2 | -062H |
| -2S9 | -068H |
| -2S6 | -075H |
| -2S3 | -083H |
| -2S1 | -093H |

Design Considerations

Simulations

Micron memory modules are designed to optimize signal integrity through carefully designed terminations, controlled board impedances, routing topologies, trace length matching, and decoupling. However, good signal integrity starts at the system level. Micron encourages designers to simulate the signal characteristics of the system's memory bus to ensure adequate signal integrity of the entire memory system.

Power

Operating voltages are specified at the edge connector of the module, not at the DRAM. Designers must account for any system voltage drops at anticipated power levels to ensure the required supply voltage is maintained.



I_{DD} Specifications

Table 14: DDR4 I_{DD} Specifications and Conditions – 128GB (Die Revision G)

Values are for the MT40A8G4 DDR4 4H 3DS SDRAM only and are computed from values specified in the DDR4 3DS (8 Gig x 4) component data sheet

| Parameter | Symbol | 2666 | Units |
|--|---------------------|--------|-------|
| One bank ACTIVATE-PRECHARGE current | I _{CDD0} | 4032 | mA |
| One bank ACTIVATE-PRECHARGE, wordline boost, I _{pp} current | I _{CPP0} | 432 | mA |
| One bank ACTIVATE-READ-PRECHARGE current | I _{CDD1} | 4248 | mA |
| Precharge standby current | I _{CDD2N} | 3780 | mA |
| Precharge standby ODT current | I _{CDD2NT} | 4050 | mA |
| Precharge power-down current | I _{CDD2P} | 3600 | mA |
| Precharge quiet standby current | I _{CDD2Q} | 3690 | mA |
| Active standby current | I _{CDD3N} | 3978 | mA |
| Active standby I _{pp} current | I _{CPP3N} | 432 | mA |
| Active power-down current | I _{CDD3P} | 3762 | mA |
| Burst read current | I _{CDD4R} | 5832 | mA |
| Burst write current | I _{CDD4W} | 5310 | mA |
| Burst refresh current (1x REF) | I _{CDD5R} | 4248 | mA |
| Burst refresh I _{pp} current (1x REF) | I _{CPP5R} | 468 | mA |
| Self refresh current: Normal temperature range (0°C to 85°C) | I _{CDD6N} | 3816 | mA |
| Self refresh current: Extended temperature range (0°C to 95°C) | I _{CDD6E} | 3996 | mA |
| Self refresh current: Reduced temperature range (0°C to 45°C) | I _{CDD6R} | 3456 | mA |
| Auto self refresh current (25°C) | I _{CDD6A} | 3009.6 | mA |
| Auto self refresh current (45°C) | I _{CDD6A} | 3456 | mA |
| Auto self refresh current (75°C) | I _{CDD6A} | 3816 | mA |
| Auto self refresh I _{pp} current | I _{CPP6X} | 504 | mA |
| Bank interleave read current | I _{CDD7} | 6804 | mA |
| Bank interleave read I _{pp} current | I _{CPP7} | 702 | mA |
| Maximum power-down current | I _{CDD8} | 3600 | mA |



128GB (x72, ECC, 3DS 4H Stack, 2 Package Ranks x 4 Logic Ranks) 288-Pin DDR4 LRDIMM I_{DD} Specifications

Table 15: DDR4 I_{DD} Specifications and Conditions – 128GB (Die Revision E)

Values are for the MT40A8G4 DDR4 4H 3DS SDRAM only and are computed from values specified in the DDR4 3DS (8 Gig x 4) component data sheet

| Parameter | Symbol | 3200 | 2933 | Units |
|--|---------------------|--------|--------|-------|
| One bank ACTIVATE-PRECHARGE current | I _{CDD0} | 4140 | 4086 | mA |
| One bank ACTIVATE-PRECHARGE, wordline boost, I _{pp} current | I _{CPP0} | 432 | 432 | mA |
| One bank ACTIVATE-READ-PRECHARGE current | I _{CDD1} | 4356 | 4302 | mA |
| Precharge standby current | I _{CDD2N} | 3816 | 3798 | mA |
| Precharge standby ODT current | I _{CDD2NT} | 4230 | 4140 | mA |
| Precharge power-down current | I _{CDD2P} | 3600 | 3600 | mA |
| Precharge quite standby current | I _{CDD2Q} | 3690 | 3690 | mA |
| Active standby current | I _{CDD3N} | 4086 | 4032 | mA |
| Active standby I _{pp} current | I _{CPP3N} | 432 | 432 | mA |
| Active power-down current | I _{CDD3P} | 3834 | 3798 | mA |
| Burst read current | I _{CDD4R} | 5958 | 5760 | mA |
| Burst write current | I _{CDD4W} | 5634 | 5472 | mA |
| Burst refresh current (1x REF) | I _{CDD5R} | 4338 | 4302 | mA |
| Burst refresh I _{pp} current (1x REF) | I _{CPP5R} | 468 | 468 | mA |
| Self refresh current: Normal temperature range (0°C to 85°C) | I _{CDD6N} | 3924 | 3924 | mA |
| Self refresh current: Extended temperature range (0°C to 95°C) | I _{CDD6E} | 4356 | 4356 | mA |
| Self refresh current: Reduced temperature range (0°C to 45°C) | I _{CDD6R} | 3456 | 3456 | mA |
| Auto self refresh current (25°C) | I _{CDD6A} | 3009.6 | 3009.6 | mA |
| Auto self refresh current (45°C) | I _{CDD6A} | 3456 | 3456 | mA |
| Auto self refresh current (75°C) | I _{CDD6A} | 3816 | 3816 | mA |
| Auto self refresh I _{pp} current | I _{CPP6X} | 504 | 504 | mA |
| Bank interleave read current | I _{CDD7} | 7344 | 7074 | mA |
| Bank interleave read I _{pp} current | I _{CPP7} | 738 | 720 | mA |
| Maximum power-down current | I _{CDD8} | 3600 | 3600 | mA |



Registering Clock Driver Specifications

Table 16: Registering Clock Driver Electrical Characteristics

DDR4 RCD01 devices or equivalent

| Parameter | Symbol | Pins | Min | Nom | Max | Units |
|--|----------------------------|----------------------------|---------------------------------|----------------------|---------------------------------|---------|
| DC supply voltage | V_{DD} | – | 1.14 | 1.2 | 1.26 | V |
| DC reference voltage | V_{REF} | V_{REFCA} | $0.49 \times V_{DD}$ | $0.5 \times V_{DD}$ | $0.51 \times V_{DD}$ | V |
| DC termination voltage | V_{TT} | – | $V_{REF} - 40mV$ | V_{REF} | $V_{REF} + 40mV$ | V |
| High-level input voltage | $V_{IH, CMOS}$ | DRST_n | $0.65 \times V_{DD}$ | – | V_{DD} | V |
| Low-level input voltage | $V_{IL, CMOS}$ | | 0 | – | $0.35 \times V_{DD}$ | V |
| DRST_n pulse width | $t_{IN-IT_Power_stable}$ | – | 1.0 | – | – | μs |
| AC high-level output voltage | $V_{OH(AC)}$ | All outputs except ALERT_n | $V_{TT} + (0.15 \times V_{DD})$ | – | – | V |
| AC low-level output voltage | $V_{OL(AC)}$ | | – | – | $V_{TT} + (0.15 \times V_{DD})$ | V |
| AC differential output high measurement level (for output slew rate) | $V_{OHdiff(AC)}$ | Yn_t - Yn_c, BCK_t - BCK_c | – | $0.3 \times V_{DD}$ | – | mV |
| AC differential output low measurement level (for output slew rate) | $V_{OLDiff(AC)}$ | | – | $-0.3 \times V_{DD}$ | – | mV |

Note: 1. Timing and switching specifications for the register listed are critical for proper operation of DDR4 SDRAM RDIMMs. These are meant to be a subset of the parameters for the specific device used on the module. See the JEDEC RCD01 specification for complete operating electrical characteristics. Registering clock driver parametric values are specified for device default control word settings, unless otherwise stated. The RCOA control word setting does not affect parametric values.



Data Buffer Specifications

Table 17: Data Buffer Electrical Characteristics

DDR4 DB01 devices or equivalent

| Parameter | Symbol | Pins | Min | Nom | Max | Unit |
|---|-------------------|----------------------------------|---|---------------------|---|------|
| DC supply voltage | V_{DD} | – | 1.14 | 1.2 | 1.26 | V |
| DC reference voltage | BV_{REFCA} | BV_{REF} | $0.49 \times V_{DD}$ | $0.5 \times V_{DD}$ | $0.51 \times V_{DD}$ | |
| Low-level input voltage | $V_{IL(static)}$ | BCK_t, BCK_c (during clock stop) | 0 | – | $0.35 \times V_{DD}$ | |
| Differential input cross point voltage range | $V_{IX(BCK)}$ | BCK_t, BCK_c | –120 | – | 120 | mV |
| Extended differential input cross point voltage range | $V_{IX_EX(BCK)}$ | | –150 | – | 150 | |
| Average common mode DC voltage | $V_{CM(DC)}$ | BCK_t, BCK_c | $0.46 \times V_{DD}$ | $0.5 \times V_{DD}$ | $0.54 \times V_{DD}$ | V |
| Single-ended high level | V_{SEH} | BCK_t, BCK_c | DDR4-1866, 2133 $(V_{DD}/2) + 90$ DDR4-2400 $(V_{DD}/2) + 75$ | – | – | mV |
| Single-ended low level | V_{SEL} | BCK_t, BCK_c | – | – | DDR4-1866, 2133 $(V_{DD}/2) - 90$ DDR4-2400 $(V_{DD}/2) - 75$ | |
| AC input high | $V_{IH(AC)}$ | BCK_t, BCK_c | DDR4-1866, 2133 $BV_{REFCA} + 90$ DDR4-2400 $BV_{REFCA} + 75$ | – | – | mV |
| AC input low | $V_{IL(AC)}$ | BCK_t, BCK_c | – | – | DDR4-1866, 2133 $BV_{REFCA} - 90$ DDR4-2400 $BV_{REFCA} - 75$ | |
| Differential input high | $V_{IH,diff}$ | BCK_t, BCK_c | DDR4-1866, 2133; 130 DDR4-2400; 100 | – | – | mV |
| Differential input low | $V_{IL,diff}$ | BCK_t, BCK_c | – | – | DDR4-1866, 2133; –130 DDR4-2400; –100 | |
| AC differential input high | $V_{IH,diff(AC)}$ | BCK_t, BCK_c | $2 \times (V_{IH(AC).MIN} - BV_{REFCA})$ | – | – | mV |
| AC differential input low | $V_{IL,diff(AC)}$ | BCK_t, BCK_c | – | – | $2 \times (V_{IL(AC).MAX} - BV_{REFCA})$ | |



Table 17: Data Buffer Electrical Characteristics (Continued)

DDR4 DB01 devices or equivalent

| Parameter | Symbol | Pins | Min | Nom | Max | Unit | |
|---|-------------------|----------------------------|-----|------------------------------|----------------------|------|---|
| AC output high | $V_{OH(AC)}$ | All outputs except ALERT_n | – | $(0.7 + 0.15) \times V_{DD}$ | – | V | |
| AC output low | $V_{OL(AC)}$ | | – | $(0.7 - 0.15) \times V_{DD}$ | – | | |
| DC output high | $V_{OH(DC)}$ | | – | $1.1 \times V_{DD}$ | – | V | |
| DC output mid | $V_{OM(DC)}$ | | – | $0.8 \times V_{DD}$ | – | | |
| DC output low | $V_{OL(DC)}$ | | – | $0.5 \times V_{DD}$ | – | | |
| AC differential output high | $V_{OH,diff(AC)}$ | | – | – | $0.3 \times V_{DD}$ | – | V |
| AC differential output low | $V_{OL,diff(AC)}$ | | – | – | $-0.3 \times V_{DD}$ | – | |
| Junction temperature | T_j | – | 0 | – | 125 | C° | |
| Case temperature | T_{CASE} | – | – | – | TBD | | |
| Input clamp current | I_{IK} | – | – | – | –50 | mA | |
| output clamp current | I_{OK} | – | – | – | ±50 | | |
| Continuous output current | I_O | – | – | – | ±50 | | |
| Continuous output current each V_{DD} or V_{SS} pin | I_{CCC} | – | – | – | ±100 | | |

Note: 1. Data buffer parametric values are specified for the device default control word settings, unless otherwise stated.



Temperature Sensor with SPD EEPROM

The temperature sensor continuously monitors the module's temperature and can be read back at any time over the I²C bus shared with the serial presence-detect (SPD) EEPROM. Refer to JEDEC JC-42.4 EE1004 and TSE2004 device specifications for complete details.

SPD Data

For the latest SPD data, refer to Micron's SPD page: micron.com/SPD.

Table 18: Temperature Sensor with SPD EEPROM Operating Conditions

| Parameter/Condition | Symbol | Min | Nom | Max | Units |
|---|--------------------|--------------------------|-----|--------------------------|-------|
| Supply voltage | V _{DDSPD} | – | 2.5 | – | V |
| Input low voltage: logic 0; all inputs | V _{IL} | –0.5 | – | V _{DDSPD} × 0.3 | V |
| Input high voltage: logic 1; all inputs | V _{IH} | V _{DDSPD} × 0.7 | – | V _{DDSPD} + 0.5 | V |
| Output low voltage: 3mA sink current V _{DDSPD} > 2V | V _{OL} | – | – | 0.4 | V |
| Input leakage current: (SCL, SDA) V _{IN} = V _{DDSPD} or V _{SSSPD} | I _{LI} | – | – | ±5 | μA |
| Output leakage current: V _{OUT} = V _{DDSPD} or V _{SSSPD} , SDA in High-Z | I _{LO} | – | – | ±5 | μA |

Table 19: Temperature Sensor and EEPROM Serial Interface Timing

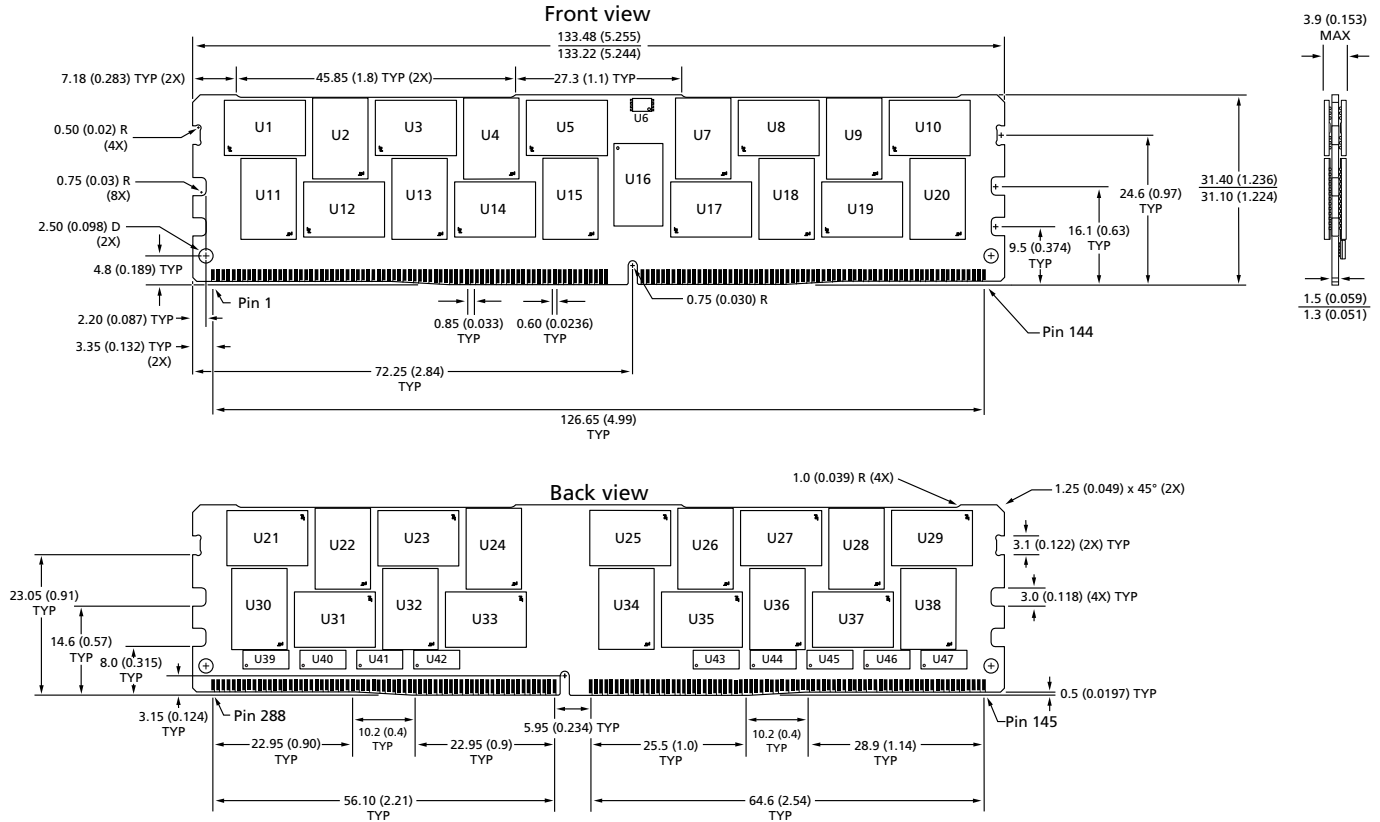
| Parameter/Condition | Symbol | Min | Max | Units |
|---|----------------------|-----|------|-------|
| Clock frequency | f _{SCL} | 10 | 1000 | kHz |
| Clock pulse width HIGH time | t _{HIGH} | 260 | – | ns |
| Clock pulse width LOW time | t _{LOW} | 500 | – | ns |
| Detect clock LOW timeout | t _{TIMEOUT} | 25 | 35 | ms |
| SDA rise time | t _R | – | 120 | ns |
| SDA fall time | t _F | – | 120 | ns |
| Data-in setup time | t _{SU:DAT} | 50 | – | ns |
| Data-in hold time | t _{HD:DI} | 0 | – | ns |
| Data out hold time | t _{HD:DAT} | 0 | 350 | ns |
| Start condition setup time | t _{SU:STA} | 260 | – | ns |
| Start condition hold time | t _{HD:STA} | 260 | – | ns |
| Stop condition setup time | t _{SU:STO} | 260 | – | ns |
| Time the bus must be free before a new transition can start | t _{BUF} | 500 | – | ns |
| Write time | t _W | – | 5 | ms |
| Warm power cycle time off | t _{POFF} | 1 | – | ms |
| Time from power-on to first command | t _{INIT} | 10 | – | ms |



128GB (x72, ECC, 3DS 4H Stack, 2 Package Ranks x 4 Logic Ranks) 288-Pin DDR4 LRDIMM Module Dimensions

Module Dimensions

Figure 4: 288-Pin DDR4 LRDIMM



- Notes: 1. All dimensions are in millimeters (inches); MAX/MIN or typical (TYP) where noted.
2. The dimensional diagram is for reference only.

8000 S. Federal Way, P.O. Box 6, Boise, ID 83707-0006, Tel: 208-368-4000
www.micron.com/products/support Sales inquiries: 800-932-4992
 Micron and the Micron logo are trademarks of Micron Technology, Inc.
 All other trademarks are the property of their respective owners.

This data sheet contains minimum and maximum limits specified over the power supply and temperature range set forth herein. Although considered final, these specifications are subject to change, as further product development and data characterization sometimes occur.