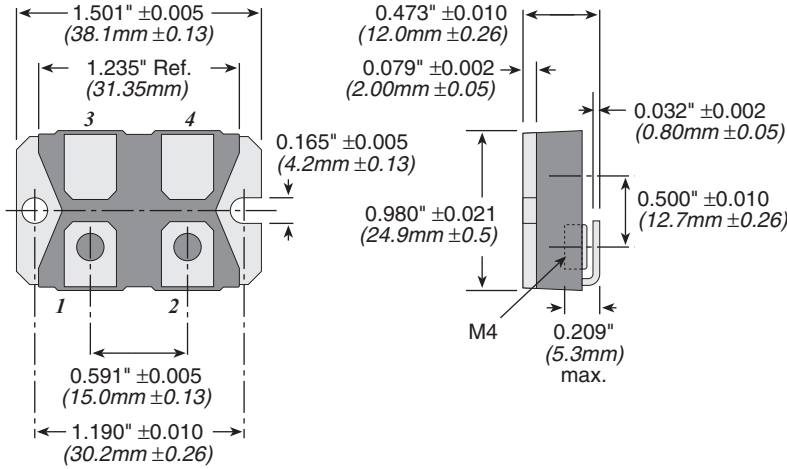


TGH Series

120 and 200 Watt SOT227Package
Thick Film Power



Due to their non-inductive design, these resistors are ideally suited for high-frequency and pulse-load applications. Available in 120- or 200-watt sizes, this resistor is designed for direct mounting onto a heatsink. Popular applications include variable speed drives, power supplies, control devices, telecom, robotics, motor controls, and other switching designs.

SPECIFICATIONS

Material
Heat Sink: Nickel-plated copper
Contacts: Nickel-plated copper
Substrate: Al2O3 (96%)
Molding Compound: High-performance epoxy, compliant to UL94-V0
Terminal Nuts: American standard 303 stainless steel

Electrical
Resistance Range: 0.1Ω to 1MΩ
Tolerance: ±5%
Temperature coefficient: ±250ppm (at +105°C ref. to +25°C)
Max. Work.Voltage: 500V (up to 1,000V on special request)
Power Rating at 85°C: 120W (see derating)
Partial Discharge: up to 2,000Vrms/80 pC
Voltage Proof: Dielectric Strength up to 4,000V DC against ground
Heat Resistance to Cooling Plate: R_{th} <0.35 K/W
Capacitance/Mass: 45pF
Working Temp. Range: -55°C to +155°C
Max. Torque for Base Plate (static): 1.5 Nm
Max. Torque for Contacts (static): 1.3 Nm. M4 screws (not included)
Derating (thermal resistance): 2.86W/°K (0.35°K/W)

STANDARD PART NUMBERS		
Ohms	120 Watt TGHH	200 Watt TGHV
0.1	TGHHVR100JE	TGHLVR100JE
0.5	TGHHVR500JE	TGHLVR500JE
1	TGHHV1R00JE	TGHLV1R00JE
5	TGHHV5R00JE	TGHLV5R00JE
10	TGHHV10R0JE	TGHLV10R0JE
25	TGHHV25R0JE	TGHLV25R0JE
33	TGHHV33R0JE	TGHLV33R0JE
50	TGHHV50R0JE	TGHLV50R0JE
100	TGHHV100RJE	TGHLV100RJE
150	TGHHV150RJE	TGHLV150RJE
500	TGHHV500RJE	TGHLV500RJE
680	TGHHV680RJE	TGHLV680RJE
1K	TGHHV1K00JE	TGHLV1K00JE
5K	TGHHV5K00JE	TGHLV5K00JE
10K	TGHHV10K0JE	TGHLV10K0JE

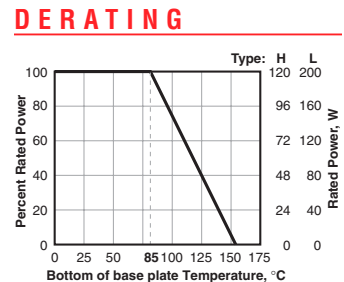
ORDERING INFORMATION

Configuration
 V = config. 1
 X = config. 2
 E = RoHS compliant

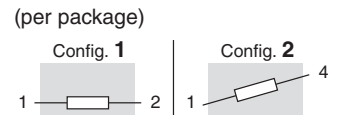
T G H H V 1 R 0 0 J E

SOT 227 Series Wattage Resistance Value Tolerance
 H = 120W Example: R500 = 0.500Ω J = 5%
 L = 200W 1R00 = 1Ω
 250R = 250Ω
 1K00 = 1,000Ω
 10K0 = 10,000Ω

Check product availability at www.ohmite.com



CONFIGURATIONS



THIS PRODUCT IS DESIGNED FOR USE WITH PROPER HEATSINKING.
 Maximum base plate temperature of the resistor must be monitored and kept within specified limits to establish the power rating. Best technique is to attach a thermocouple to the side of the base plate of the resistor. Temperature of plastic housing or heat sink cannot be used to establish rating of the resistor.

**Subscribe to our
New Product Bulletin at
ohmite.com**