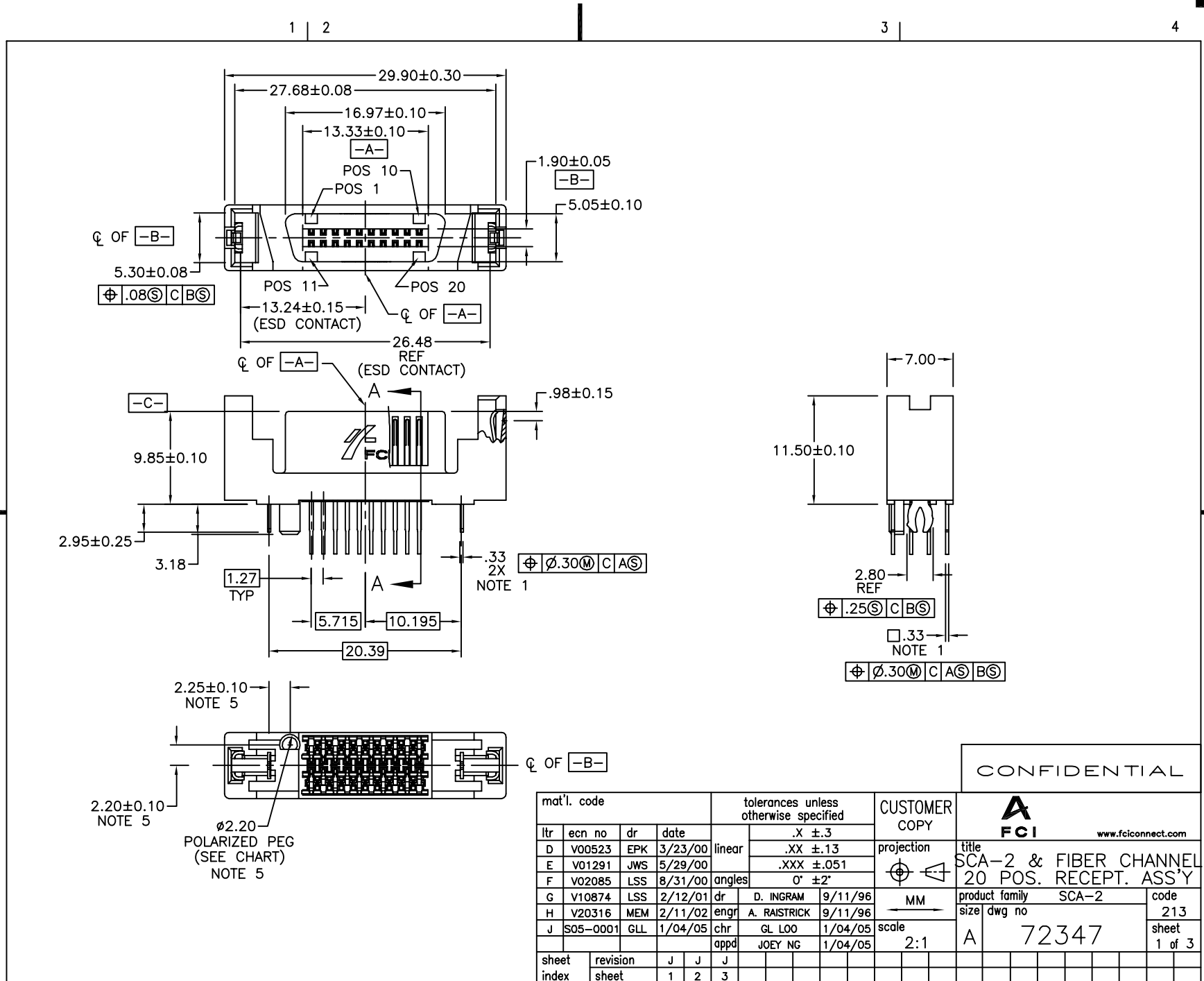


Tous droits strictement reserves. Reproduction ou communication a des tiers interdite sous quelque forme que ce soit sans autorisation ecrite du propriétaire. Propriete de c FCI. Droits de reproduction FCI.



All rights strictly reserved. Reproduction or issue to third parties in any form whatever is not permitted without written authority from the proprietor. Property of FCI. Copyright FCI.



mat'l. code		tolerances unless otherwise specified				CUSTOMER COPY
ltr	ecn no	dr	date	linear	.X ±.3	
D	V00523	EPK	3/23/00		.XX ±.13	
E	V01291	JWS	5/29/00		.XXX ±.051	
F	V02085	LSS	8/31/00	angles	0° ±2°	
G	V10874	LSS	2/12/01	dr	D. INGRAM	9/11/96
H	V20316	MEM	2/11/02	engr	A. RAISTRICK	9/11/96
J	S05-0001	GLL	1/04/05	chr	GL L00	1/04/05
				appd	JOEY NG	1/04/05
sheet index	revision sheet	J	J	J		
		1	2	3		

CONFIDENTIAL

FCI www.fciconnect.com

title: SCA-2 & FIBER CHANNEL 20 POS. RECEPT. ASS'Y

product family: SCA-2 code: 213

size: A scale: 2:1 sheet: 1 of 3

dwg no: 72347

cage code 22526

ACAD

PDM: Rev:J

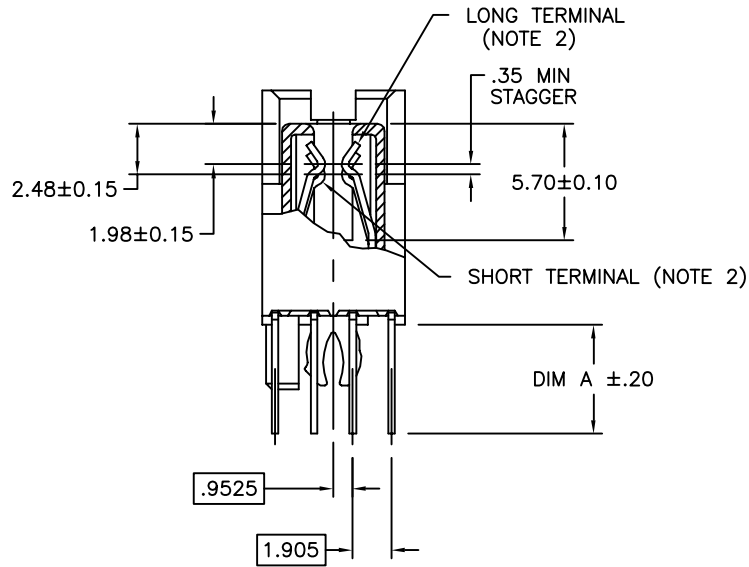
STATUS: Released

Printed: Nov 24, 2005

Tous droits strictement reserves. Reproduction ou communication a des tiers interdite sous quelque forme que ce soit sans autorisation ecrite du proprietaire. Propriete de c FCI. Droits de reproduction FCI.



All rights strictly reserved. Reproduction or issue to third parties in any form whatever is not permitted without written authority from the proprietor. Property of FCI. Copyright FCI.



SECTION A-A

CONFIDENTIAL

mat'l. code		tolerances unless otherwise specified		CUSTOMER COPY		 www.fciconnect.com	
ltr	ecn no	dr	date	linear	.X ±.3	projection	
J					.XX ±.13		
					.XXX ±.051		
				angles	0° ±2°	 MM	title SCA-2 & FIBER CHANNEL 20 POS. RECEPT. ASS'Y product family SCA-2 size dwg no A 72347 code 213 sheet 2 of 3
		dr	D. INGRAM	9/11/96			
		enfr	A. RAISTRICK	9/11/96			
		chr	GL L00	1/04/05			
		appd	JOEY NG	1/04/05	scale	2:1	
sheet index	revision sheet						

cage code 22526

ACAD

PDM: Rev:J

STATUS: Released

Printed: Nov 24, 2005

Tous droits strictement reserves. Reproduction ou communication a des tiers interdite sous quelque forme que ce soit sans autorisation écrite du propriétaire. Propriete de c FCI. Droits de reproduction FCI.

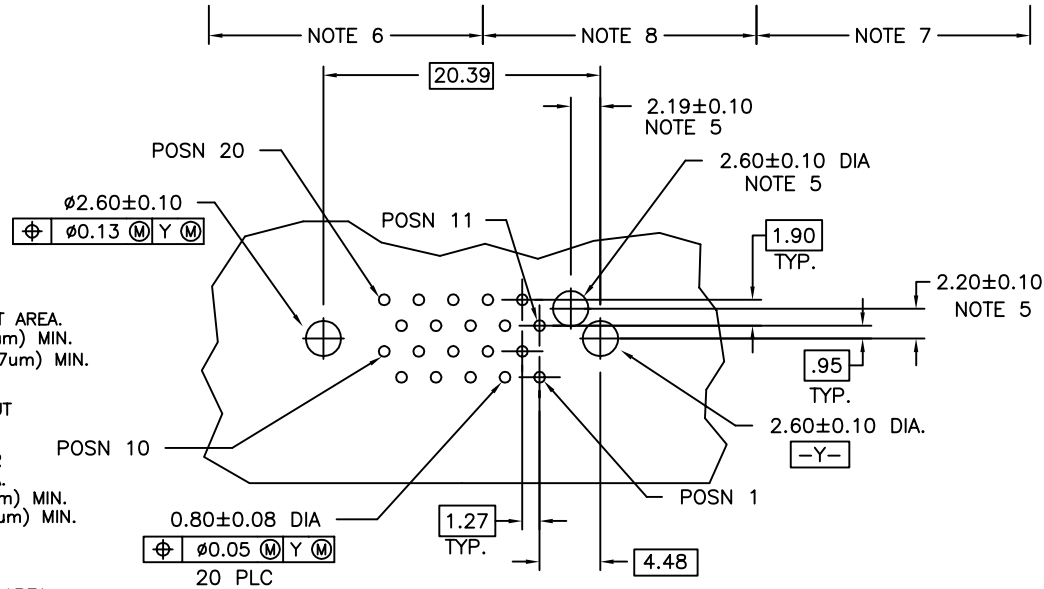
FCI

All rights strictly reserved. Reproduction or issue to third parties in any form whatever is not permitted without written authority from the proprietor. Property of FCI. Copyright FCI.

PRODUCT NUMBER	"A" DIM	POLARIZATION PEG	PLATING	RECOMMENDED P.C. BOARD THICKNESS	PRODUCT NUMBER	PLATING	PRODUCT NUMBER	PLATING	PRODUCT NUMBER	PLATING
72347-001	2.79	YES	NOTE ④	1.57mm (0.062")	72347-101	NOTE ⑥	72347-001LF	NOTE ⑧	72347-101LF	NOTE ⑦
72347-002	2.79	NO			72347-102		72347-002LF		72347-102LF	
72347-003	3.18	YES		72347-103	72347-003LF		72347-103LF			
72347-004	3.18	NO		72347-104	72347-004LF		72347-104LF			
72347-005	4.06	YES		72347-105	72347-005LF		72347-105LF			
72347-006	4.06	NO		72347-106	72347-006LF		72347-106LF			

NOTES :

- TRUE POSITION NOTES APPLY AT TERMINAL TIP.
- CONTACTS IN POSITIONS 1 THRU 15 & 16 ARE SHORT TERMINALS. CONTACTS IN POSITIONS 11, 12, 13, 14, AND 17, 18, 19, 20 ARE LONG TERMINALS.
- RAW MATERIALS:
HOUSING: HTN, UL94V-0, COLOR: BLACK
CONTACTS: PHOSPHOR-BRONZE
- CONTACT PLATING: 30u" (0.76um) MIN. GXT PLATING OVER 50u" (1.27um) NICKLE MIN. UNDERPLATE IN CONTACT AREA. 100u" (2.54um) MIN. TIN-LEAD PLATING OVER 50u" (1.27um) MIN. NICKLE UNDERPLATE IN P.C. BOARD LEG AREA. 50u" (1.27um) MIN. NICKLE UNDERPLATE OVER REMAINING AREA.
- DIMENSIONS DO NOT APPLY TO CONNECTOR STYLES WITHOUT POLARIZATION PEG. (SEE CHART)
- CONTACT PLATING: 30u" (0.76um) MIN. GOLD PLATING OVER 50u" (1.27um) NICKEL MIN. UNDERPLATE IN CONTACT AREA. 100u" (2.54um) MIN TIN-LEAD PLATING OVER 50u" (1.27um) MIN. NICKEL UNDERPLATE IN P.C. BOARD LEG AREA. 50u" (1.27um) MIN. NICKEL UNDERPLATE OVER REMAINING AREA.
- CONTACT PLATING: 30u" (0.76um) GOLD PLATING OVER 50u" (1.27um) NICKLE UNDERPLATE IN CONTACT AREA. 100u" (2.54um) - 200u"(5.08um) TIN PLATING OVER 50u" (1.27um) -100u" (2.54um) NICKEL UNDERPLATE IN P.C. BOARD LEG AREA. 50u" (1.27um) NICKEL UNDERPLATE OVER REMAINING AREA.
- CONTACT PLATING: 30u" (0.76um) GXT PLATING OVER 50u" (1.27um) NICKLE UNDERPLATE IN CONTACT AREA. 100u" (2.54um) - 200u"(5.08um) TIN PLATING OVER 50u" (1.27um) -100u" (2.54um) NICKEL UNDERPLATE IN P.C. BOARD LEG AREA. 50u" (1.27um) NICKEL UNDERPLATE OVER REMAINING AREA.
- THE HOUSING WILL WITHSTAND EXPOSURE TO 260°C PEAK TEMPERATURE FOR 10 SECONDS IN A WAVE SOLDER APPLICATION WITH A 1.57MM THICK CIRCUIT BOARD.
- THIS PRODUCT MEETS EUROPEAN UNION DIRECTIVES AND OTHER COUNTRY REGULATIONS AS DESCRIBED IN GS-22-008.



RECOMMENDED PC BOARD MOUNTING DIMENSIONS COMPONENT SIDE

CONFIDENTIAL

mat'l. code				tolerances unless otherwise specified			CUSTOMER COPY		 www.fciconnect.com	
ltr	ecn no	dr	date	linear	.X ±.3	projection			title	
J				angles	.XX ±.13	MM			SCA-2& FIBER CHANNEL	
				dr	.XXX ±.051		product family		20 POS. RECEPT. ASS'Y	
				engr	0° ±2°		SCA-2		code	
				chr	0' ±2"		size		213	
				appd	2' ±2"		dwg no		sheet	
							A		3 of 3	
sheet index	revision sheet						72347			

cage code 22526

ACAD

PDM: Rev:J

STATUS: Released

Printed: Nov 24, 2005