

1

2

3

4

A

B

C

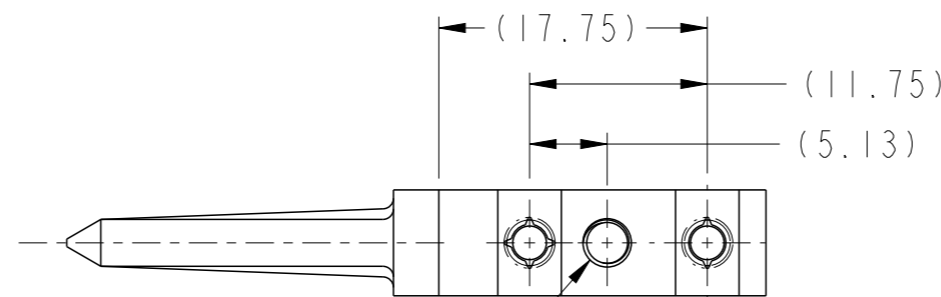
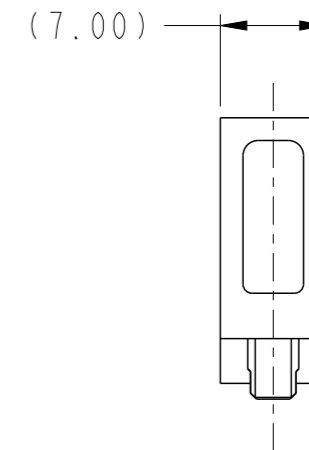
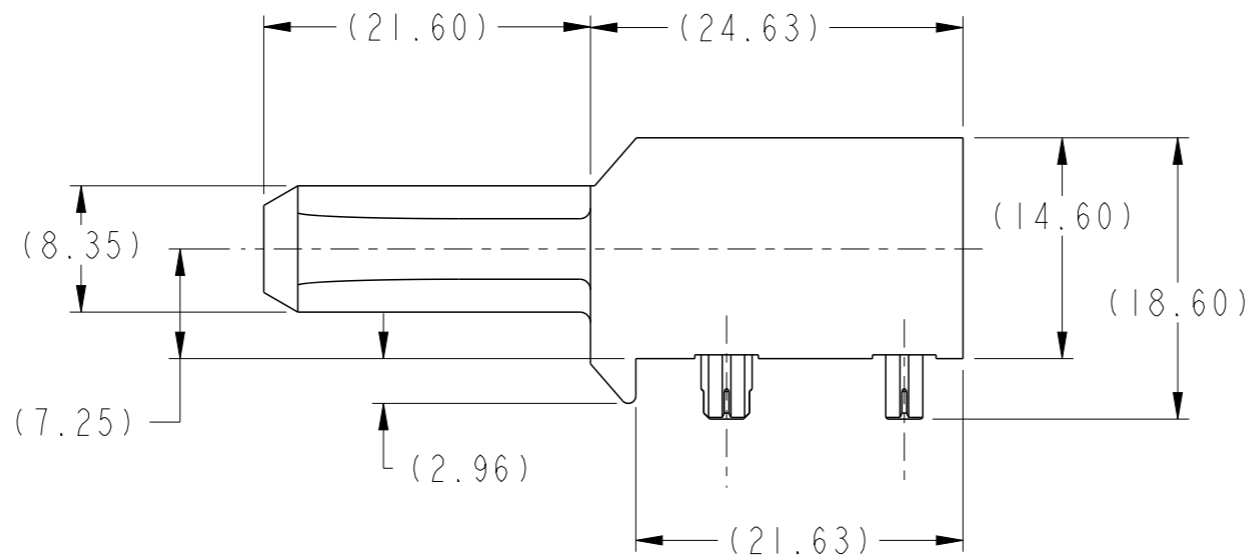
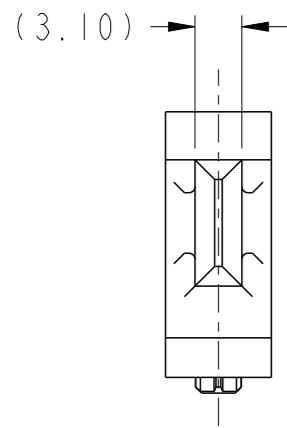
D

A

B

C

D



M3 x 0.5-6H
x 3.0 DP.
(0.3 X 45° CHAMFER) $\triangle C$

spec ref		dr	Chen-Hong Tan	2005/08/17	projection	mm	size	A3	scale	2:1	
tolerance std		eng	Yong-Keat Lim	2011/10/04			ecn no		ELX-S-006144-1		
ASME Y14.5		chr	-	-			rel level		Released		
-		TOLERANCES UNLESS OTHERWISE SPECIFIED		appr	Chen-Hong Tan	2011/10/07	product family		AirMax ACCESSORIES		
surface	✓	linear	0.X	±0.3		7.2mm R/A GUIDE PIN 4/5 PAIR	dwg no	10044314		rev	C
			0.XX	±0.10							
			0.XXX	±0.050							
-	-	angular	0°	±2°	www.fci.com	cat. no.	-	Product - Customer Drw		sheet 1 of 2	

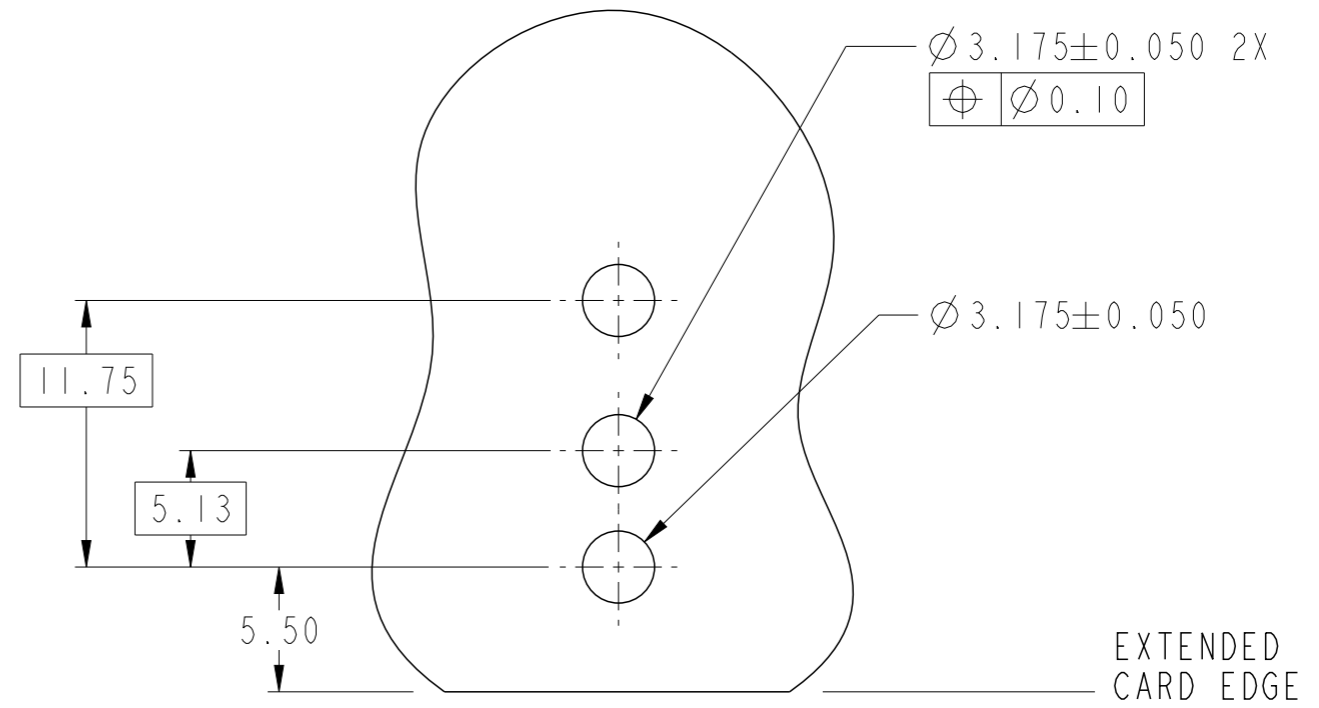


Copyright FCI.

PART NUMBER
10044314-101LF

NOTES:

- ① MATERIAL: ZINC ALLOY.
- ② FINISH: ZINC YELLOW CHROMATE.
- ③ APPLICATION SPECIFICATION: GS-20-045.
- ④ REFER TO CUSTOMER DRAWING 10035911 FOR INFORMATION REGARDING PCB LAYOUT OF POWER AND GUIDE MODULES RELATIVE TO SIGNAL MODULES.
- ⑤ RIGHT ANGLE PIN MODULE HAS THE SAME PCB FOOTPRINT AS THE RIGHT ANGLE GUIDE SOCKET.
- 6 THIS PRODUCT MEETS EUROPEAN UNION DIRECTIVES AND OTHER COUNTRY REGULATIONS AS DESCRIBED IN GS-22-008.
- 7 PACKAGING MEETS GS-14-920 LEAD FREE LABELING SPECIFICATION.
- 8. A $\triangle C$ SYMBOL WILL BE NEXT TO ANY DIMENSION, VIEW, OR NOTE WHICH HAS BEEN MODIFIED WITH THE CURRENT DRAWING REVISION.



RECOMMENDED PCB LAYOUT
SEE NOTE 3, 4, & 5
SCALE 3:1



Copyright FCI.

spec ref		dr	Chen-Hong Tan	2005/08/17	projection	mm	size	A3	scale	1:1	
tolerance std		eng	Yong-Keat Lim	2011/10/04	\oplus - \square	\longleftrightarrow	ecn no		ELX-S-006144-1		
ASME Y14.5		chr	-	-			rel level		Released		
surface		appr	Chen-Hong Tan	2011/10/07	product family			AirMax ACCESSORIES		rev	
- \checkmark	linear	0.X		± 0.3	www.fci.com	cat. no.	7.2mm R/A GUIDE PIN		dwg no	10044314	C
		0.XX		± 0.10			4/5 PAIR				
		0.XXX		± 0.050			Product - Customer Drw				
angular		0°		$\pm 2^\circ$	Product - Customer Drw		sheet 2 of 2				