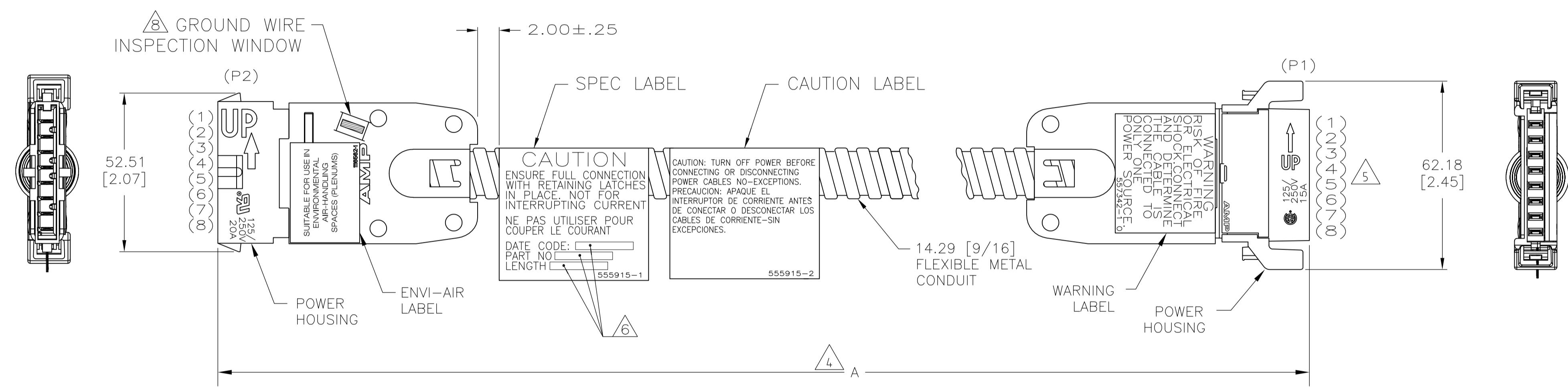
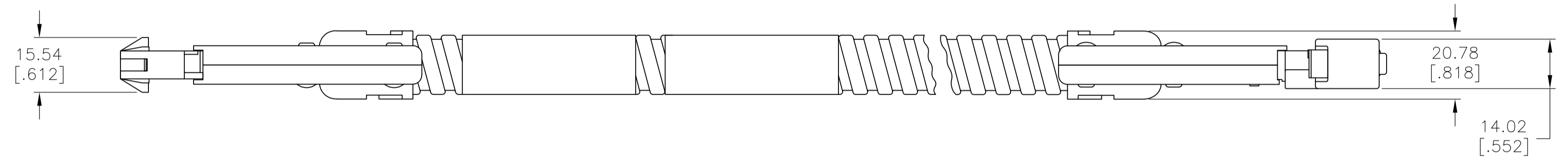
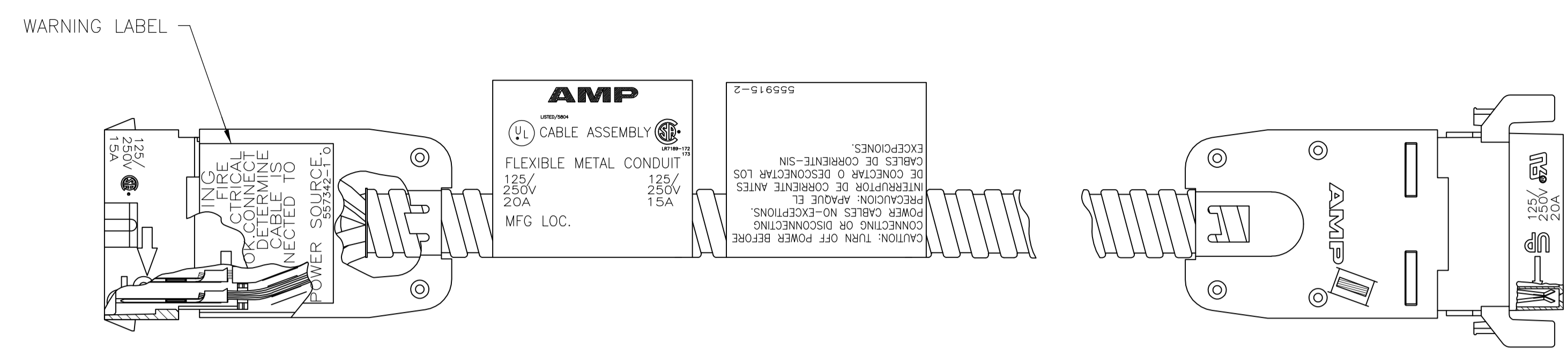
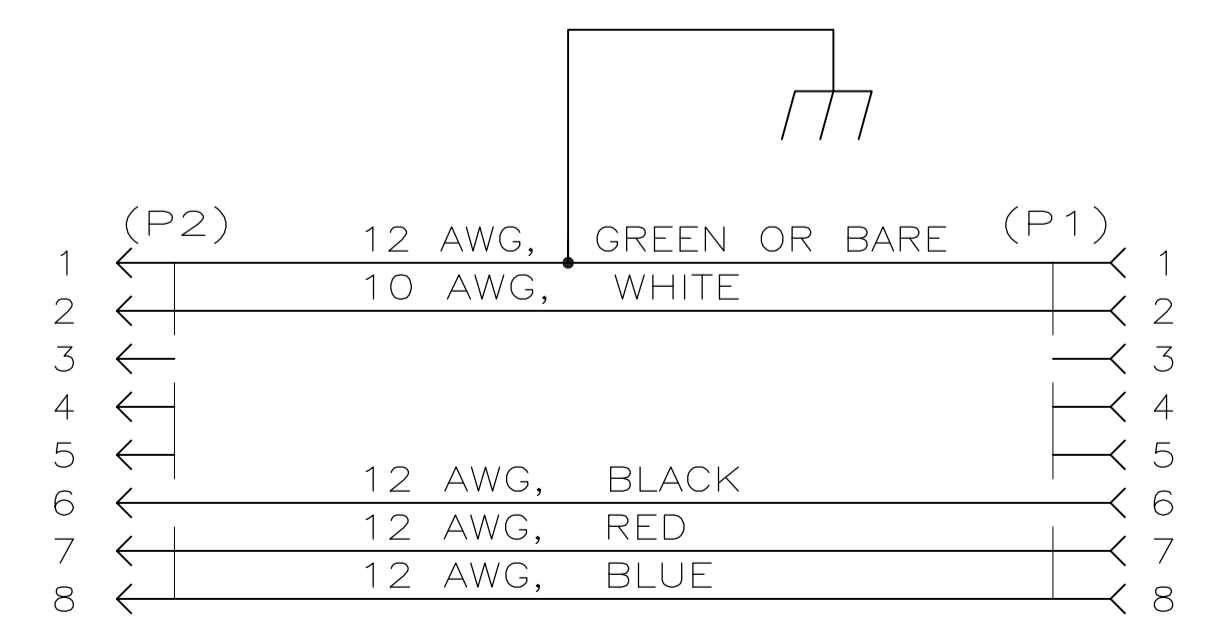


LOC	DIST	REVISIONS			
P	LTR	DESCRIPTION	DATE	DMN	APVD
M	REV PER ECO-12-020239		04DEC2012	JM	MS



- 1. DIMENSIONS SHOWN ARE MAXIMUM UNLESS OTHERWISE SPECIFIED.
- 2. CABLE ASSEMBLY IS WIRED PER WIRING DIAGRAM.
- 3. MATERIAL:
CONNECTOR HOUSINGS - POLYCARBONATE, UL 94V-0, RATED, BLACK.
STRAIN RELIEFS - CARBON STEEL WITH NICKEL PLATING 5.08 μm [.000200] MINIMUM THICK.
CONTACTS - COPPER ALLOY WITH SILVER PLATED STRIP 3.81 μm [.000150] MINIMUM THICK.
- 4. DIMENSION A SHALL BE MEASURED WITH CONDUIT IN THE RELAXED POSITION.
- 5. DESIGNATIONS IN PARENTHESES () ARE FOR REFERENCE ONLY.
- 6. MANUFACTURING LOCATION, DATE CODE, PART NUMBER AND LENGTH SHALL BE INK STAMPED WHERE INDICATED.
- 7. APPLICATION: AMPINNERGY™ MODULAR POWER DISTRIBUTION SYSTEM, A MANUFACTURED WIRING SYSTEM.
- 8. USE GROUND WIRE INSPECTION WINDOW TO VERIFY BONDING AND GROUNDING CONDUCTOR.



WIRING DIAGRAM
5 WIRE

DIM A (MIN-MAX)	PART NUMBER
15240.00 - 15316.20 [600.00 - 603.00]	1-556730-3
7620.00 - 7696.20 [300.00 - 303.00]	1-556730-2
1219.20 - 1231.90 [48.00 - 48.50]	1-556730-0
4572.00 - 4622.80 [180.00 - 182.00]	556730-3
3352.80 - 3403.60 [132.00 - 134.00]	556730-2

THIS DRAWING IS A CONTROLLED DOCUMENT.

DIMENSIONS: mm [INCHES]	TOLERANCES UNLESS OTHERWISE SPECIFIED:	0 PLC ± .1	1 PLC ± .1	2 PLC ± .1	3 PLC ± .1	4 PLC ± .1	ANGLES ± .1
-------------------------	--	------------	------------	------------	------------	------------	-------------

APVD: R. BOSSI	DATE: 11 MAY 92	NAME: R. BOSSI
APPROVED: V. SLACK	DATE: 27 JUL 90	NAME: V. SLACK
CHK: R. HUSSEY	DATE: 16 JUL 91	NAME: R. HUSSEY

Tyco Electronics Corporation
Harrisburg, PA 17105-3608

PRODUCT SPEC: CABLE ASSEMBLY, POWER TO LINE, 5 WIRE

APPLICATION SPEC: -

SIZE: A1

WEIGHT: -

CAGE CODE: 00779

DRAWING NO: 556730

RESTRICTED TO: -

CUSTOMER DRAWING

SCALE: 1:1

SHEET: 1 OF 1

REV: M