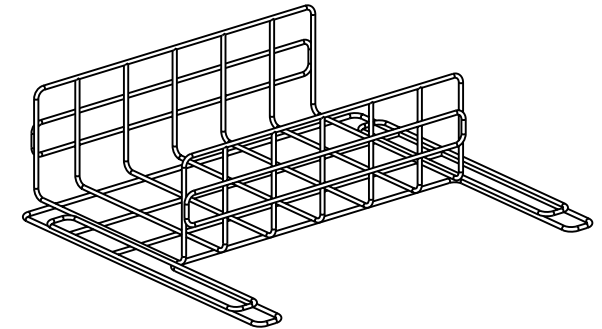
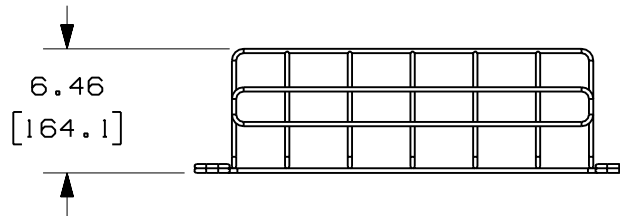
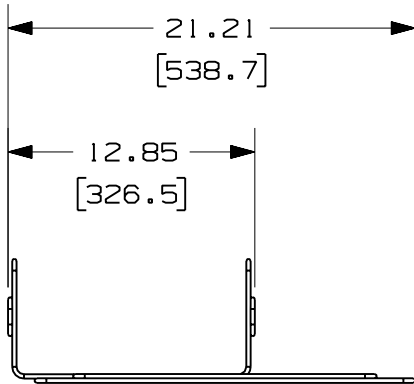
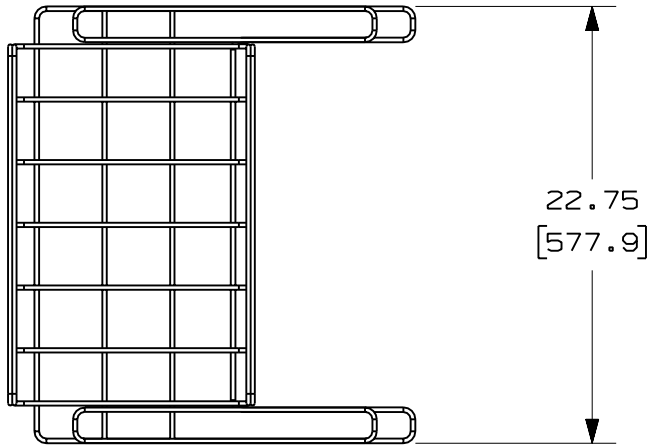


THIS COPY IS PROVIDED ON A RESTRICTED BASIS AND IS NOT TO BE USED IN ANY WAY DETRIMENTAL TO THE INTERESTS OF PANDUIT CORP.



PANDUIT PART NUMBER	WEIGHT
GR12X6X240SPG	5.75 LB/EA (2608g/EA)

NOTES:

1. SEE CURRENT CATALOG FOR ADDITIONAL PART SUFFIXES TO INDICATE PACKAGE QUANTITY.
2. DIMENSIONS IN PARENTHESES ARE IN METRIC.

ENG. REF.: D39065JS_DC/00 GR12X6X240S

CAD FILENAME/LAYERS GR12X6X240SPG.pdf

PANDUIT CORP TINLEY PARK, ILLINOIS
GRIDRUNNER 12x6x24 OFFSET WIRE BASKET (GR12X6X240SPG)
 CUSTOMER DRAWING

UNLESS OTHERWISE SPECIFIED, DIMENSIONAL TOLERANCES ARE:
 (.X) ± (.XXX) ±
 (.XX) ± .05 (1.3) ANGLES ±

UNLESS OTHERWISE SPECIFIED, ALL DIMENSIONS ARE GIVEN IN INCHES, THIRD ANGLE PROJECTION.

DRAWN BY MSO

MAT'L:

SCALE

NONE

DATE 10-30-07

PRE-GALVANIZED STEEL WIRE

DRAWING NO.

39065-66

DWG

A

CHK'D SABR

SIZE

REV	DATE	BY	CHK	DESCRIPTION	ECN	R	CUST	SUP	GMBH
R	10-30-07	MSO	SABR	RELEASED TO PRODUCTION	39065-66	RN	RN		