

PART NAME: 5 STAR-KNOB SCALE: 1:1 DATE: 5/31/95 DR. BY HD

THIS DRAWING IS THE PROPERTY OF DAVIES MOLDING COMPANY, IS SUBMITTED SOLELY AS A DESIGN OR ENGINEERING PROJECT. WE ACCEPT NO RESPONSIBILITY WHATSOEVER FOR THE PRACTICAL APPLICATION OF THE PIECES MADE TO THIS DESIGN.

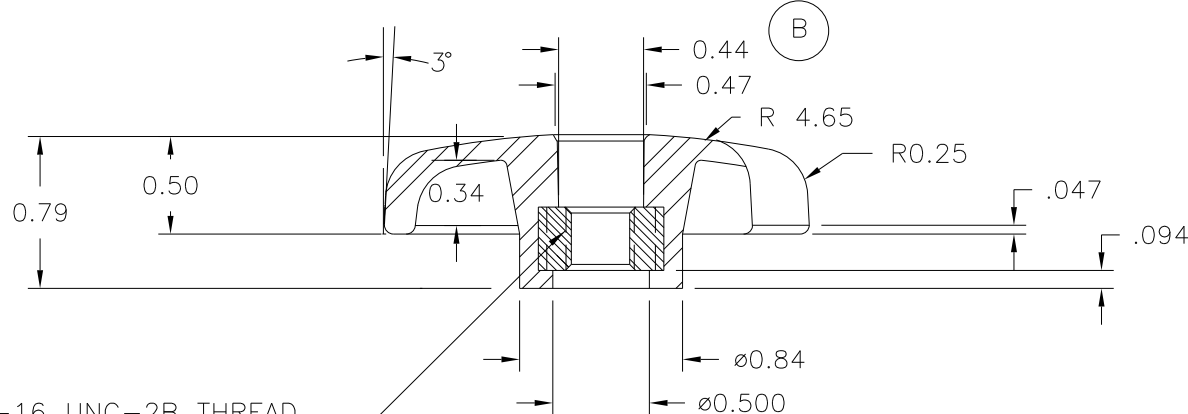
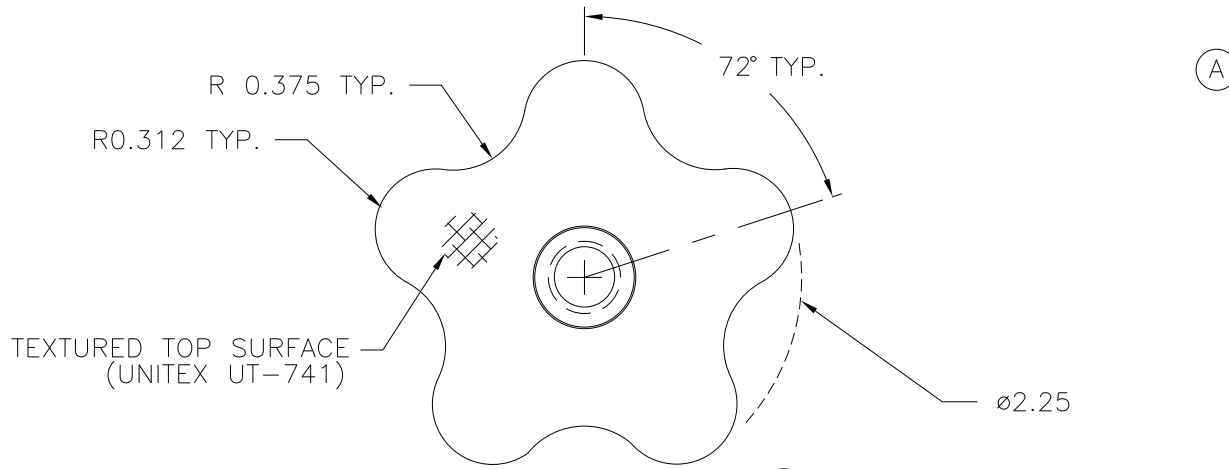


DESIGNERS & MANUFACTURERS OF KNOBS, HANDLES, CASES & CUSTOM PLASTIC COMPONENTS

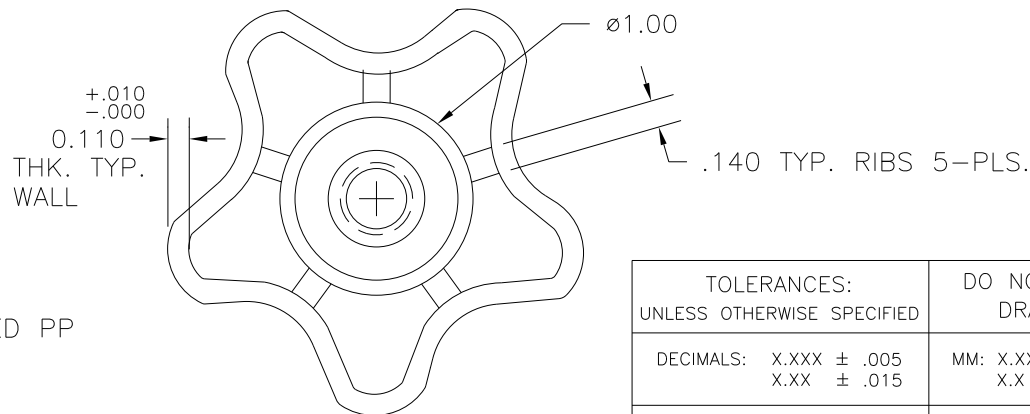
P/N 2980-B

M NO. 2980

CAV.	2980
CORE	2980
TOP PIN	2980-A
SLEEVE	2980
PIN	2980-B
INSERT	11300
SPRING	0.035 (2)



3/8-16 UNC-2B THREAD.
11300, STEEL, ZINC PLATED
.337/.320 DEPTH OF THREAD



MATERIAL : 20% TALC FILLED PP
COLOR : BLACK

TOLERANCES: UNLESS OTHERWISE SPECIFIED	DO NOT SCALE DRAWING	C	20% TALC FILLED PP WAS POLYPROPYLENE	MP	12/15/98
		B	.44 WAS .515 .47 WAS .531	RF	4/3/97
DECIMALS: X.XXX ± .005 X.XX ± .015	MM: X.XX ± 0.15MM X.X ± 0.4MM	A	WAS 2980-6 DWG., WAS # 9 FRAME WAS 2980-G PLUG	HD	7/29/96
FRACTIONS ± 1/64	ANG. ± 1°	CHANGES			