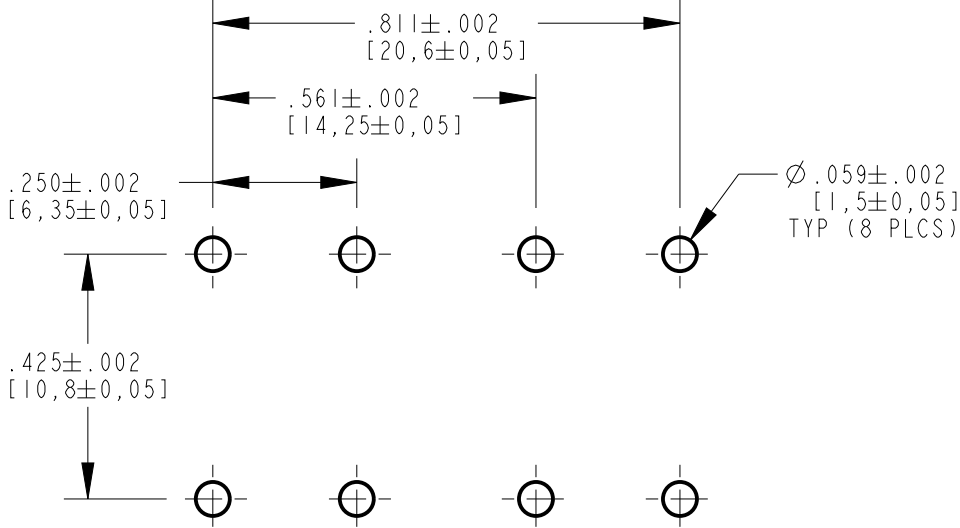
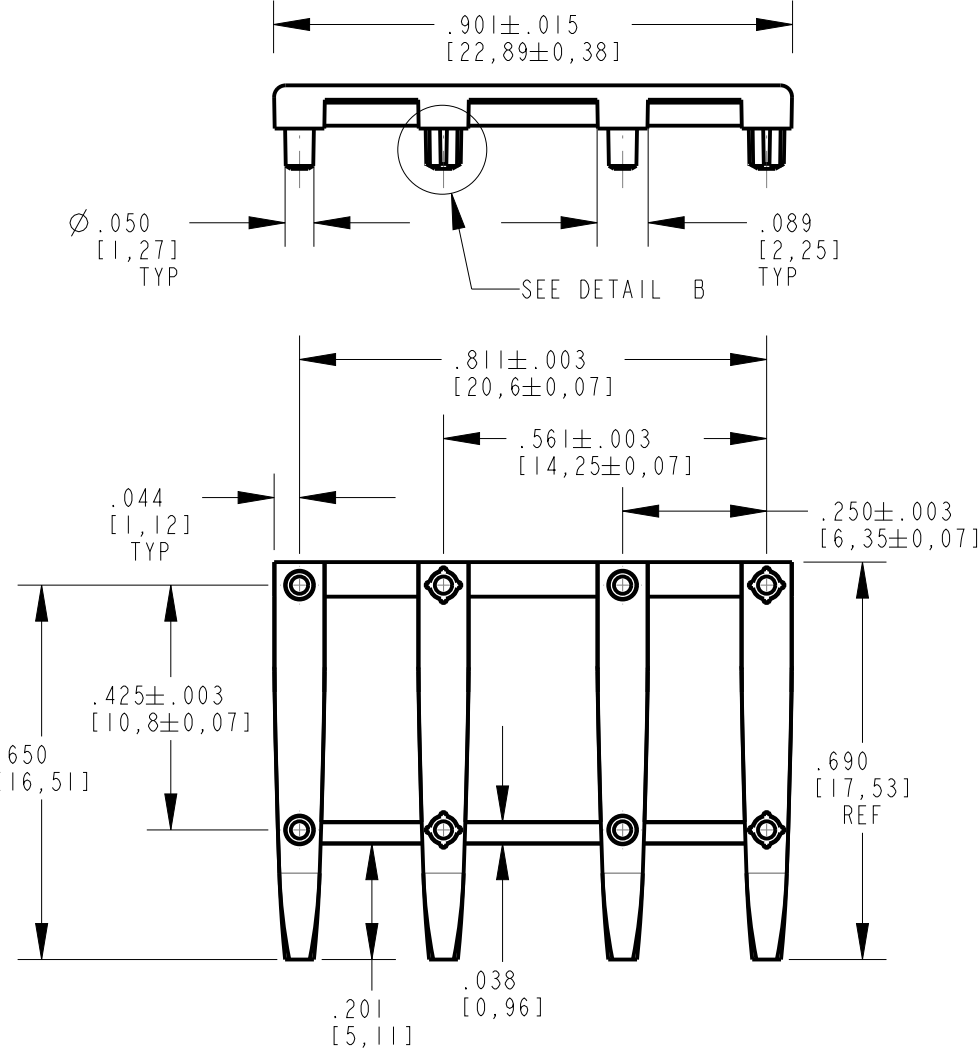
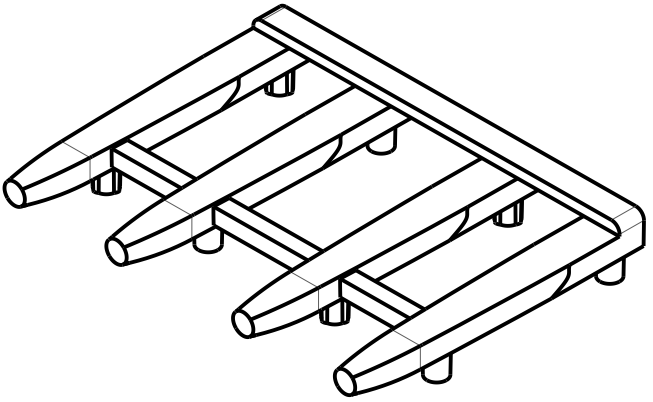
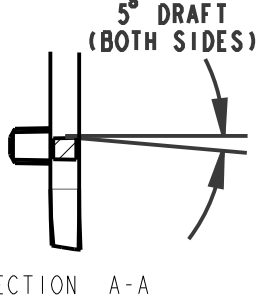
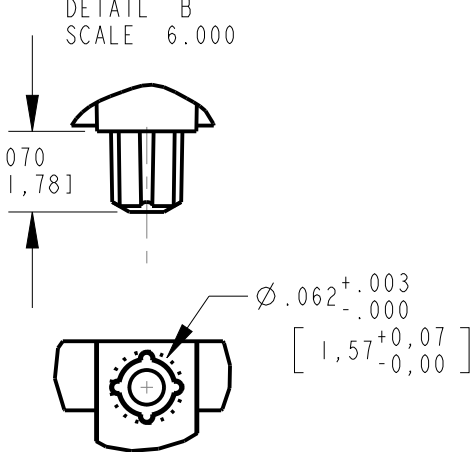
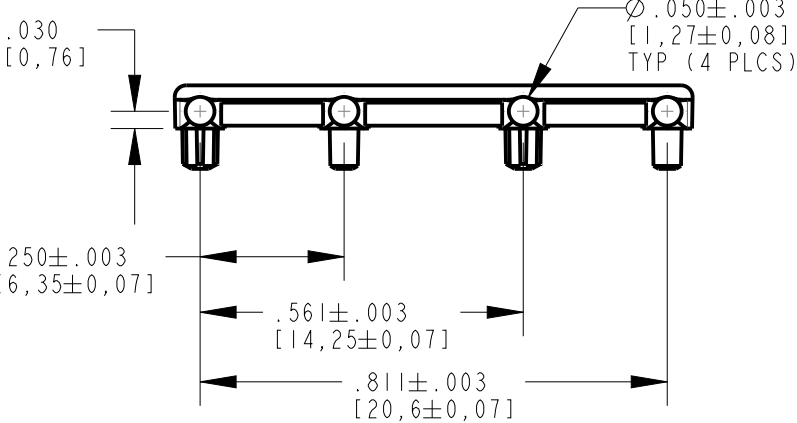
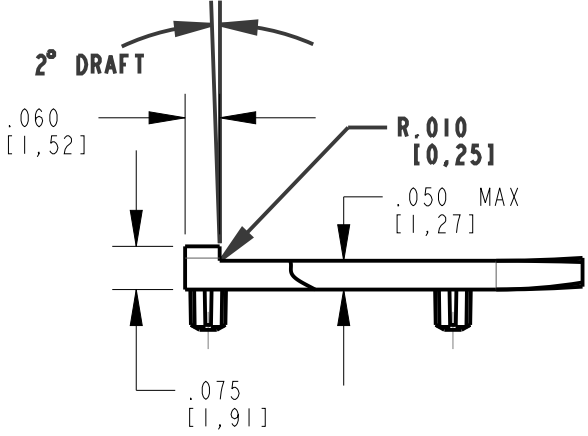


REV	ECN NO	REVISIONS	DRN	CKD	APP	DATE
A		NEW RELEASE	KLJ	NO	MES	8-9-11
B		".060" WAS ".040"; ".075" WAS ".110"; ADDED ".690 REF"; ADDED ".044"	WFB	JTD	N.O.	5-16-13

RoHS COMPLIANT 515-1166F

Part Numbers with the "F" suffix ending are RoHS Compliant. Packaging is marked with "RoHS Compliant" label or equivalent markings.



RECOMMENDED HOLE PATTERN

- NOTES:
1. COMPONENTS MOLDED IN A CLEAR TRANSMISSIVE POLYCARBONATE (UL 94V-0 FLAMMABILITY).
 2. ALL OPTICAL SURFACES TO BE POLISHED (SPI-A2 OR BETTER).
 3. COMPONENTS DESIGNED TO BE PRESSED INTO PC BOARD.
 4. STORAGE AND OPERATING TEMPERATURE: -30°C TO 100°C
 5. DIALIGHT PART NUMBER: 515-1166F

THIS DRAWING AND THE CONTENTS HEREIN ARE CONFIDENTIAL AND THE SOLE PROPERTY OF DIALIGHT. REPRODUCTION OF THIS DRAWING OR CONSTRUCTION OF ANY PARTS WITHIN THIS DRAWING ARE FORBIDDEN WITHOUT THE WRITTEN CONSENT OF DIALIGHT.		
SCALE: 3.000	DRAWING NUMBER	REV
ALL DIM'S IN: INCHES (MM)	C-17717	B
TOLERANCES: UNLESS OTHERWISE SPECIFIED	TITLE \varnothing .050 4 ELEMENT LOW PROFILE LIGHT PIPE; RoHS COMPLIANT	
FRACTIONS: $\pm 1/64$ DECIMALS (.XX): $\pm .01$ DECIMALS (.XXX): $\pm .005$	MATERIAL SEE NOTES	
ANGLES: $\pm 3^\circ$	FINISH: SEE NOTES	
FSCM 83330	Dialight 1501 ROUTE 34 SOUTH FARMINGDALE, NJ 07727	
SHEET 1 OF 1		FAMILY TABLE: