

Messrs. Digi-Key

Issue No. : PC-02-045

Date of issue : November 15, 2002

Classification : New Change Renewal

Delivery Specification

Product Description : Directional Coupler

Product Part Number : EHF4CM1747

Classification of Spec : Individual Product Specification

Applications : Cellular phone

For other applications, contact the undersigned in advance.

Term of Validity : November 14, 2007 from the date of issue.

| | |
|---|------------------|
| CUSTOMER USE ONLY | Receipt Record#: |
| This was certainly received by us. 1(one) copy is being returned to you. | Date of receipt: |
| | Received by: |
| | Title: |
| | Dept.: |

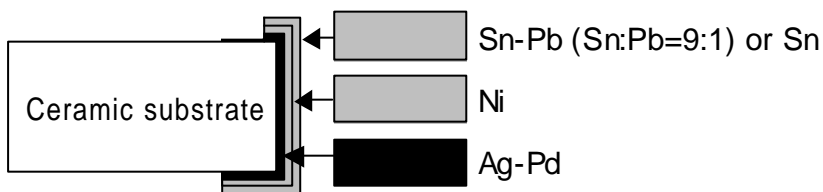
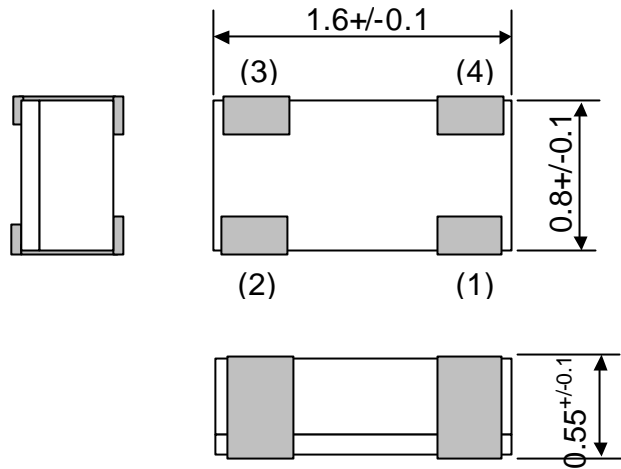
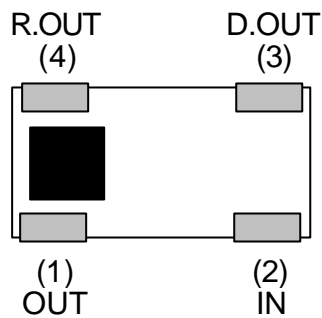
Matsushita Electronic Components Co., Ltd.
Network Device Company
Module Strategic Business Unit
Engineering Group HFD Team
992-1 Aiba Ohno-cho Ibi-gun Gifu 501-0598 JAPAN
Tel: +81-0585-36-2322
Fax: +81-0585-36-2344

| | |
|---------------|--------------------------|
| Prepared by | : S.Endo |
| Checked by | : M. Mizuno |
| Authorized by | : M. Mizuno |
| Title | : Manager of Engineering |

[Shape, appearance, dimension] Unit: mm

<Top view>

<Bottom and side view>



Note 1) "typ" is used where no dimensional tolerance applies.

| Item | Description |
|-----------------------------|--|
| Appearance/ construction | Product surface shall be covered with a protective film, which does not easily separate nor present noticeable unevenness, scratches, pinholes, color changes etc. |
| | Terminals shall ensure practically acceptable quality. |
| | Substrate shall be as shown in the drawing with no excessive chippings, scratches, burrs, or cracks. |
| Marking | Shall be legible in black (with printing paste). |
| Remarks | ■ marked side for pin 1. |

| | | | | | |
|-------------------------------|-------|------------------------|-----------|--------|------------------------------------|
| Directional Coupler | | Delivery Specification | | | EHF4CM1747 Appearance |
| Enact. Date November 15, 2002 | P.S.M | Approval | Check | Plan | |
| Enfo. Date November 15, 2002 | ----- | M. Mizuno | M. Mizuno | S.Endo | Drawing No. 151-EHF-4CM1747 9-1 |

[Absolute maximum ratings]

| No. | Item | Symbol | Rating | Unit | Remarks |
|-----|-----------------------|--------|-----------|------|---------------------|
| 1 | Maximum input power | Pmax | 3 | W | DC bias must be 0V. |
| 2 | Operating temperature | Topr | -30...+85 | degC | |
| 3 | Storage temperature | Tstg | -40...+85 | degC | |

Note: This component cannot apply a DC Bias.

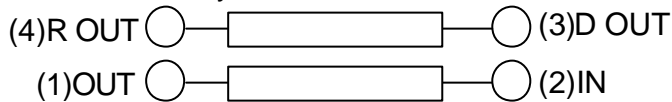
[Electrical characteristics]

T=+25 +/- 5 degC

| No. | Item | Test Circuit | Specification | | | Unit |
|-----|----------------|--------------|---------------|--------|-------|------|
| | | | Min. | Typ. | Max. | |
| 1 | Frequency | - | 1710 | 1747.5 | 1785 | MHz |
| 2 | Insertion loss | 2-1 | Fig-1 | - | *0.35 | dB |
| 3 | Coupling | 2-3 | Fig-1 | 13 | 14 | dB |
| 4 | Isolation | 1-3 | Fig-1 | 22 | - | dB |
| 5 | Input VSWR | Fig-1 | - | - | 1.3 | - |

* Value of insertion loss is not included the Test Board Loss(0.2dB)

[Internal circuitry]



[Measuring circuit]

< Insertion loss & VSWR measurement >

(2)IN=Port1, (1)OUT=Port2

(3)Detect OUT is connected 50 ohm.

< Coupling measurement >

(2)IN=Port1, (3)Detect OUT=Port2

(1)OUT is connected 50 ohm.

< Isolation measurement >

(1)OUT=Port1, (3)Detect OUT=Port2

(2)IN is connected 50 ohm.

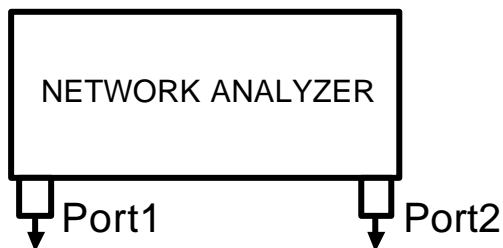
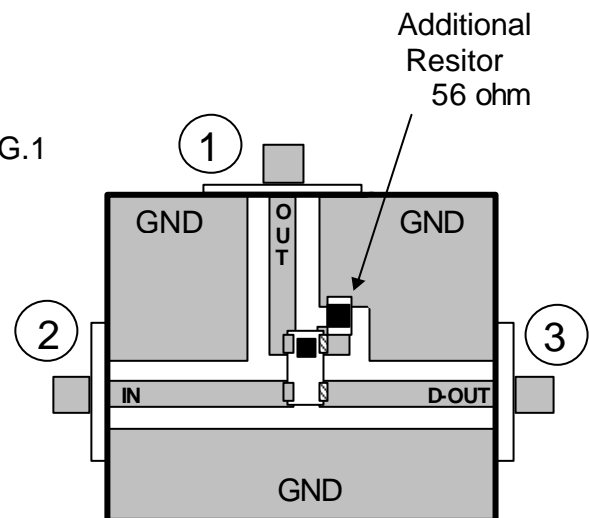


FIG.1



Directional Coupler

Delivery Specification

EHF4CM1747

Specification and measurement

Enact. Date November 15, 2002

P.S.M

Approval

Check

Plan

Enfo. Date November 15, 2002

M. Mizuno

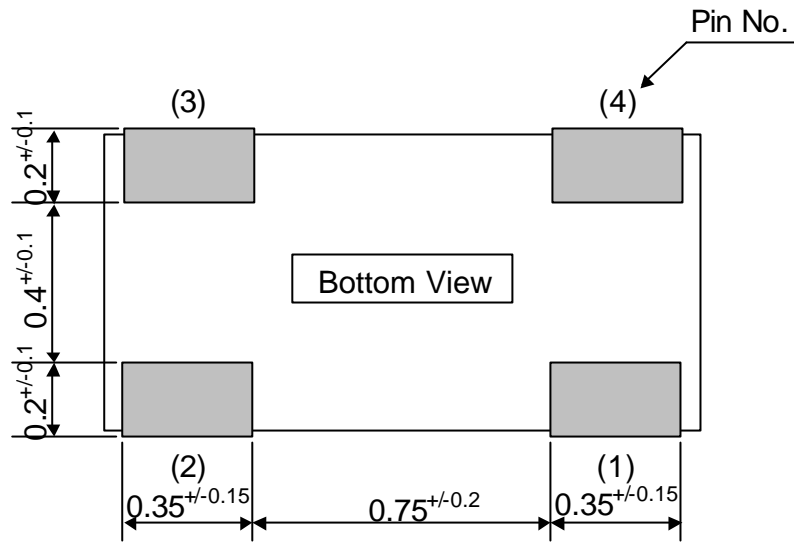
M. Mizuno

S.Endo

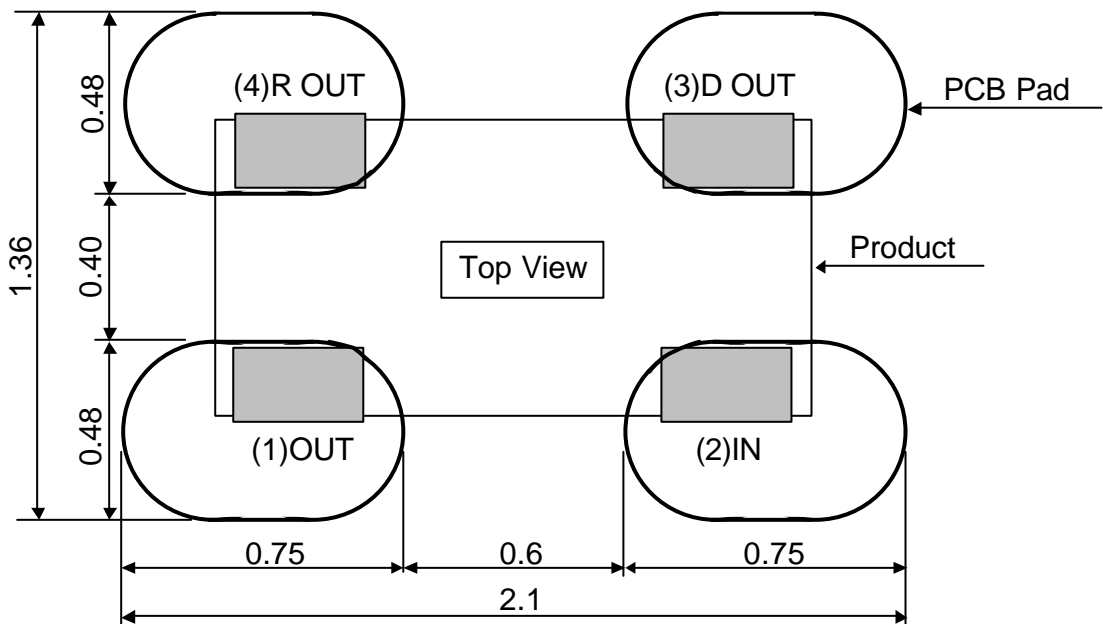
Drawing No.
151-EHF-4CM1747 9-2

[Terminal dimensions] Unit: mm

<Bottom>

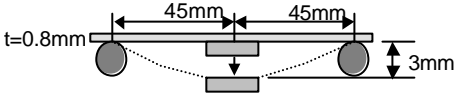


[Recommended PCB pad dimensions] Unit: mm



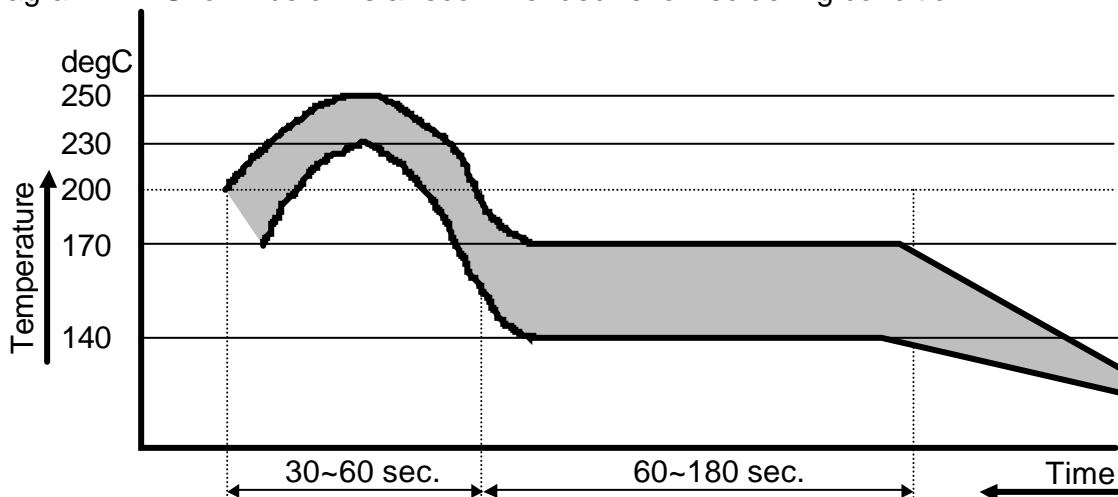
| | | | | | |
|-------------------------------|-------|------------------------|-----------|--------|---|
| Directional Coupler | | Delivery Specification | | | EHF4CM1747 Terminals/Recommended lands |
| Enact. Date November 15, 2002 | P.S.M | Approval | Check | Plan | |
| Enfo. Date November 15, 2002 | ----- | M. Mizuno | M. Mizuno | S.Endo | Drawing No. 151-EHF-4CM1747 9-3 |

[Quality characteristics]

| Test item | Test condition | Judgment criteria |
|--|--|---|
| High temperature | +85degC, 1000h | No abnormality shall be observed in appearance or electrical characteristics. |
| Low temperature | -40degC, 1000h | |
| High-temperature high-humidity storage | +60degC, 90%RH, 1000h | |
| Pressure Pot | +121degC, 99%RH, 2.026x10 ⁵ Pa, 100h | |
| Temperature cycling | -40...+85degC, Each 30 min., 200cy | |
| Vibration | 10...500Hz, 10G, in each direction of XYZ, 2h30min. | |
| Impact | 100G, 6mS, Half sinusoidal wave, in each direction of XYZ, 3 times | |
| Shock (Drop) | 1.8m, 6 facesx6cy(36 times with 100g Dummy Load) | |
| Electro static discharge | 200pF, 0 ohm, +/-200V, Each 5 times | |
| Soldering heat resistance | Manual hot gas: 260+/-10degC, 30 sec., 2 times | |
| | Soldering iron: 260+/-10degC, 3 sec., 2 times | |
| | Reflow: 260degC peak, 2 times | |
| Solder ability | Solder bath: 235+/-5degC, 2 sec. | Over 95% of the terminal surface shall be covered with solder. |
| | Reflow: 230degC | |
| Board warping | Assemble this component on a PC board with 0.8mm thickness using the recommended soldering condition shown below, and apply a bending force of 3mm warping at a rate of 1mm/sec. 5 seconds and 5 times.  | There should not be any cracks in the component or solder joints, no abnormality in electrical characteristics. |
| Terminal removal | Solder a component on a PC board using the recommended condition shown below and then press the component sideways at 1mm/sec. Destruction limit 4.9N or greater. | |
| Seating plane co-planarity | Within 0.1mm | |

< Recommended soldering condition >

Diagram1 Shown below is a recommended reflow soldering condition.



| | | | | | |
|-------------------------------|-------|------------------------|-----------|--------|---------------------------------------|
| Directional Coupler | | Delivery Specification | | | EHF4CM1747 Quality Characteristics |
| Enact. Date November 15, 2002 | P.S.M | Approval | Check | Plan | |
| Enfo. Date November 15, 2002 | ----- | M. Mizuno | M. Mizuno | S.Endo | Drawing No. 151-EHF-4CM1747 9-4 |

[Cautions for use]

- (1) Operating a product over the maximum rating for even a moment may result in a product failure or breakage. Never use a product in such a condition that it may cause a safety problem.
- (2) Opening or short-circuiting the product terminals or inserting a product in the reverse orientation while power is being supplied may cause a breakage. Always avoid such circumstances.
- (3) Operations in a corrosive gas atmosphere or improper environments such as high-temperature, high-humidity or dewy conditions may lead to product performance deterioration, a breakage, a change in appearance etc. Please avoid such conditions, as they are unsafe.
- (4) Always ground the soldering iron or soldering bath used for assembly operation to avoid any excessive voltage applied to a product.
- (5) After soldering with solder bridges, incomplete soldering or in the reverse orientation, supplying power may result in a product breakage. Please confirm the soldered condition before supplying power to the product.
- (6) Excessive stress on the terminals may cause a contact failure or performance deterioration. Please use caution.
- (7) Please provide a fail-safe provision in the product you design by taking any failure of our product into consideration.
- (8) This product does not include a DC-cutting device. Application of a DC Current may cause product deterioration or breakage.

* If any question arises about the safety of this product, please contact us immediately with a request for an engineering examination.

[Remarks]

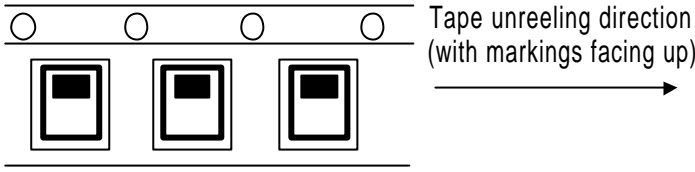
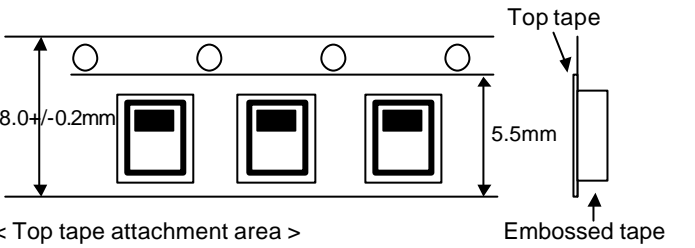
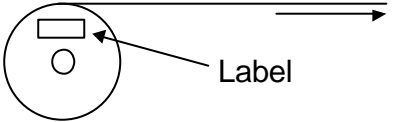
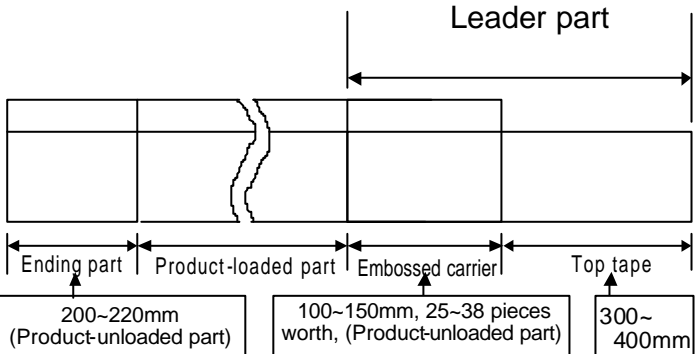
- *1: All of the materials used in this product are those listed as the existing chemical substances based on the "Law for examination and regulation of manufacture of chemical substances".
- *2: The production process of this product does not use any ozone-depleting chemicals (OZC) regulated by the Montreal Protocol.
- *3: Validity of this specification is 5 years from the date of issue, but the validity is considered on going unless any changes are made.

| | | | | | |
|-------------------------------|-------|------------------------|-----------|--------|------------------------------------|
| Directional Coupler | | Delivery Specification | | | EHF4CM1747 Cautions |
| Enact. Date November 15, 2002 | P.S.M | Approval | Check | Plan | |
| Enfo. Date November 15, 2002 | ----- | M. Mizuno | M. Mizuno | S.Endo | Drawing No. 151-EHF-4CM1747 9-5 |

[Packaging materials]

1. Materials
- 1) Embossed carrier tape (Refer to the attachment)
 - 2) Top tape: Anti-static
 - 3) Packaging box (Refer to the attachment)
 - 4) Packaging tape, carrier-securing adhesive tape

2. Specification

| No. | Item | Condition | Remarks |
|-----|---------------------------------------|--|--|
| 1 | Reel outer diameter | Refer to the attachment. | |
| 2 | Reel inner diameter | Refer to the attachment. | |
| 3 | Reel inner width | Refer to the attachment. | |
| 4 | Quantity in a reel | 4000 pieces/reel | |
| 5 | Taping direction |  | |
| 6 | Top tape attachment position |  <p>< Top tape attachment area > Top tape edge must stay inside the sprocket holes of the embossed carrier (Sprocket holes shall not be covered).</p> | Tape breaks force. Min. 10N Top cover tape str length. Min. 10N Tape peel force. 0.1...1.0N Tape peel angle. 165...180degree Reel weight. Max 1500g |
| 7 | Label attachment position |  | Indicated Item Pat No., Lot No. Quantity, Maker Country of Origin |
| 8 | Tape leader part and tape ending part |  | |
| 9 | Missing products | No missing products shall be allowed. | |
| 10 | Packaged quantity in a box | 21 reels/box (Max) | 84000 pieces/box(Max) |

Directional Coupler

Delivery Specification

EHF4CM1747

Packaging specification 1

Enact. Date November 15, 2002

P.S.M

Approval

Check

Plan

Enfo. Date November 15, 2002

M. Mizuno

M. Mizuno

S.Endo

Drawing No.

151-EHF-4CM1747 9-6

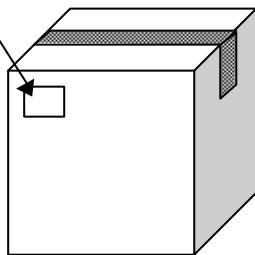
1. Method

- 1) Load products in each cavity of an embossed carrier tape, in the correct orientation, by leaving the product-unloaded part shown in Item No. 8(P9-6) of the packaging specification.
- 2) Heat-seal a top tape in good alignment on the carrier tape.
- 3) After 4000 pieces are loaded and reeled, provide a product-unloaded part at the tape-leader portion. Secure the tip of the carrier tape with a piece of adhesive tape.
- 4) Stack the reels (21 reels max.) and enclose them in a packaging box. Close the flaps with a piece of adhesive tape.
- 5) Provide markings on the packaging box.

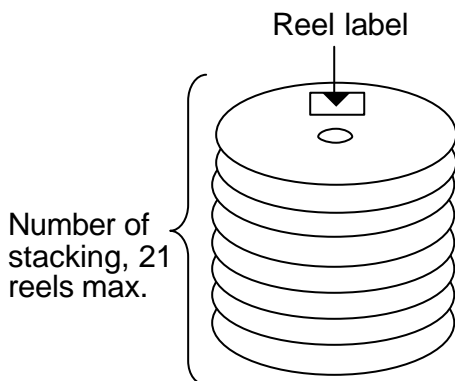
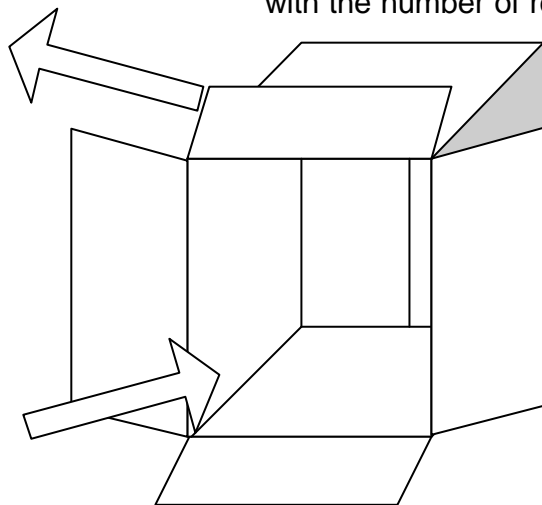
< Items to be indicated >

1. Part No.
2. Quantity
3. Lot No.
4. Manufacturer name
5. Country of origin

Marking on the packaging box



Packaging box shape varies with the number of reels enclosed.

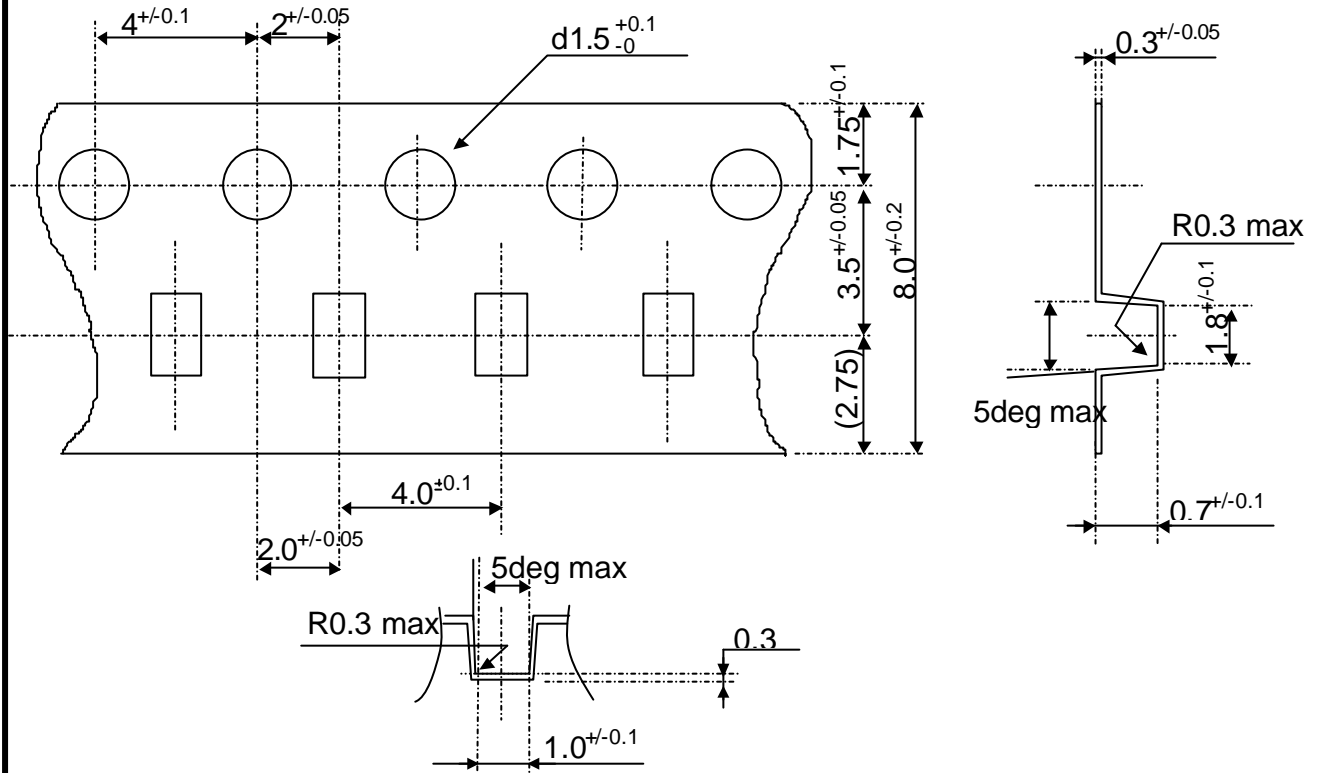


Number of stacking, 21 reels max.

* Insert cushion material in the empty spaces to secure reels.

| | | | | | |
|-------------------------------|-------|------------------------|-----------|--------|---|
| Directional Coupler | | Delivery Specification | | | EHF4CM1747 Packaging specification 2 |
| Enact. Date November 15, 2002 | P.S.M | Approval | Check | Plan | |
| Enfo. Date November 15, 2002 | ----- | M. Mizuno | M. Mizuno | S.Endo | Drawing No. 151-EHF-4CM1747 9-7 |

[Embossed tape dimensions] Unit: mm



<Remarks>

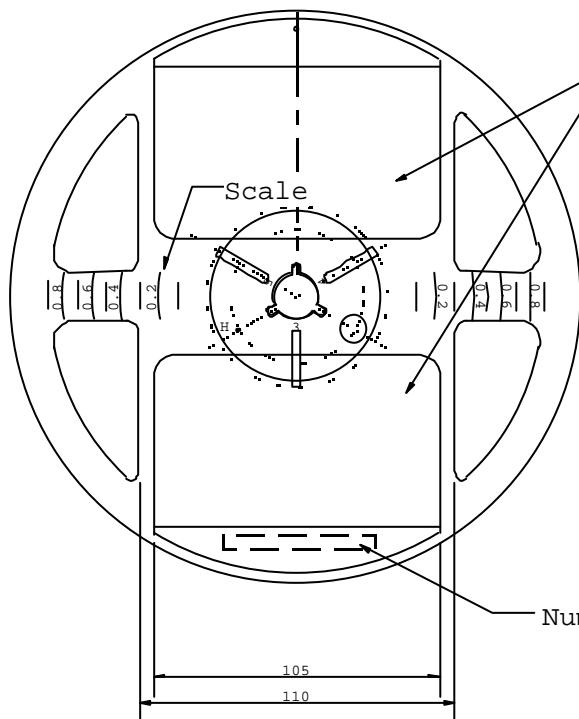
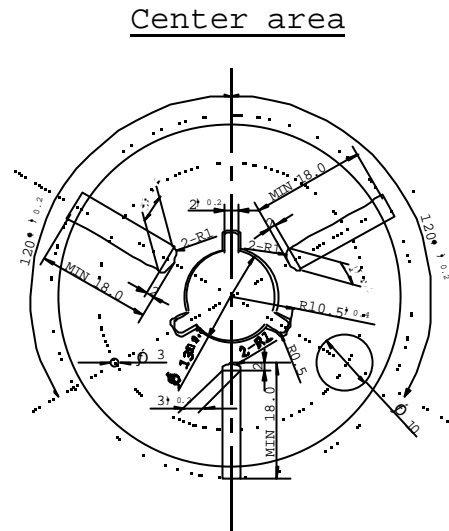
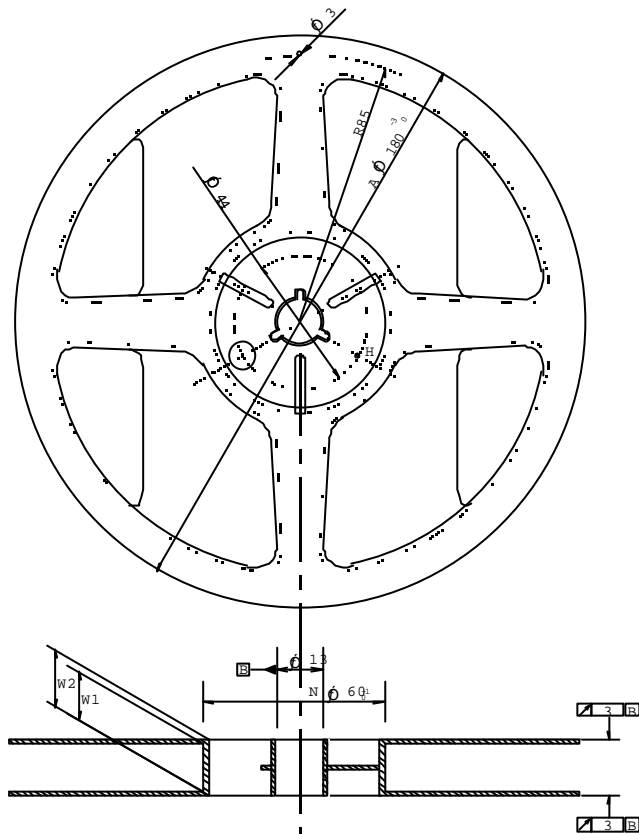
- (1) Unspecified corner radius shall be 0.3mm max.
- (2) Cumulative pitch error of sprocket holes shall be ± 0.2 mm for 10 pitches.

| | | | | | |
|-------------------------------|-------|------------------------|-----------|--------|---|
| Directional Coupler | | Delivery Specification | | | EHF4CM1747 Packaging specification 3 |
| Enact. Date November 15, 2002 | P.S.M | Approval | Check | Plan | |
| Enfo. Date November 15, 2002 | ---- | M. Mizuno | M. Mizuno | S.Endo | Drawing No. 151-EHF-4CM1747 9-8 |

[Reel dimensions] Unit: mm

(1) This reel conforms to EIAJ-RRM-08B based on EIAJ standard.

(2) Material: PS (Polystyrene)



Label
105...50

Rim , Hub

| Rim A | Hub N |
|--------------------------------|-------------------------------|
| 180 ⁰ ₋₃ | 60 ⁺¹ ₀ |

Inner width , Outer width

| Tape width | Inner width W1 | Outer width W2 |
|------------|----------------|----------------|
| 8 | 9+/-0.3 | 11+/-1.0 |

Number

Directional Coupler

Delivery Specification

EHF4CM1747

Packaging specification 4

Enact. Date November 15, 2002

P.S.M

Approval

Check

Plan

Enfo. Date November 15, 2002

M. Mizuno

M. Mizuno

S.Endo

Drawing No.

151-EHF-4CM1747 9-9