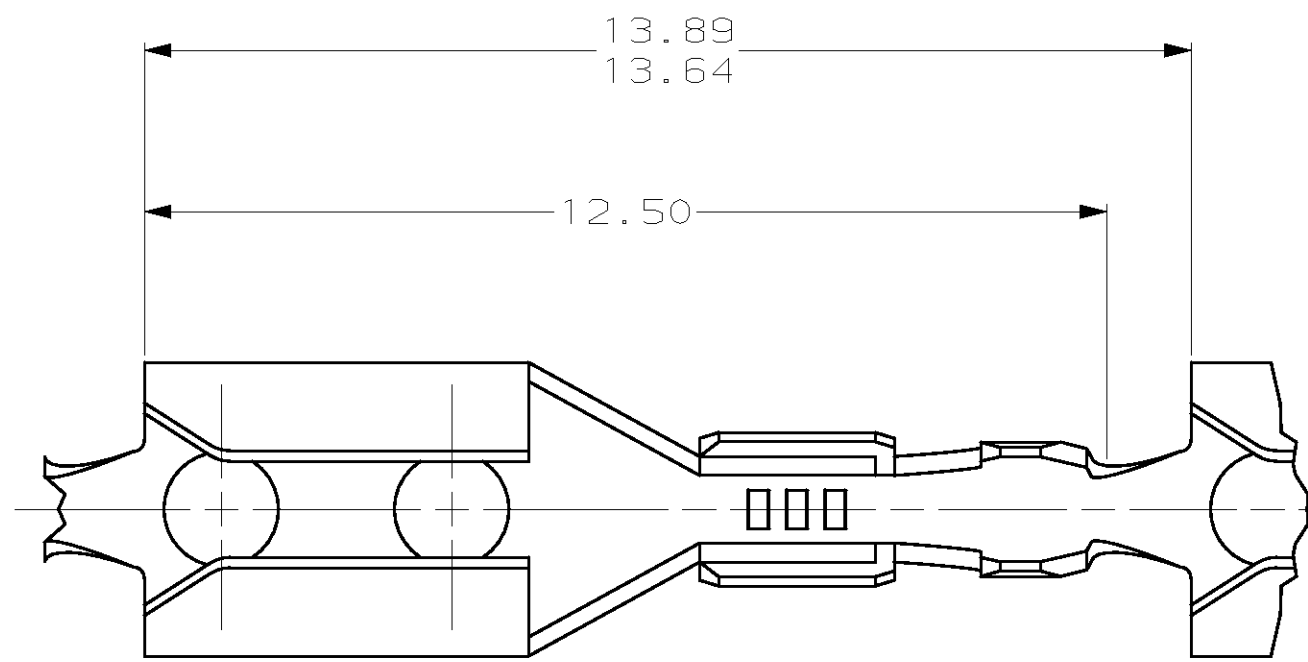
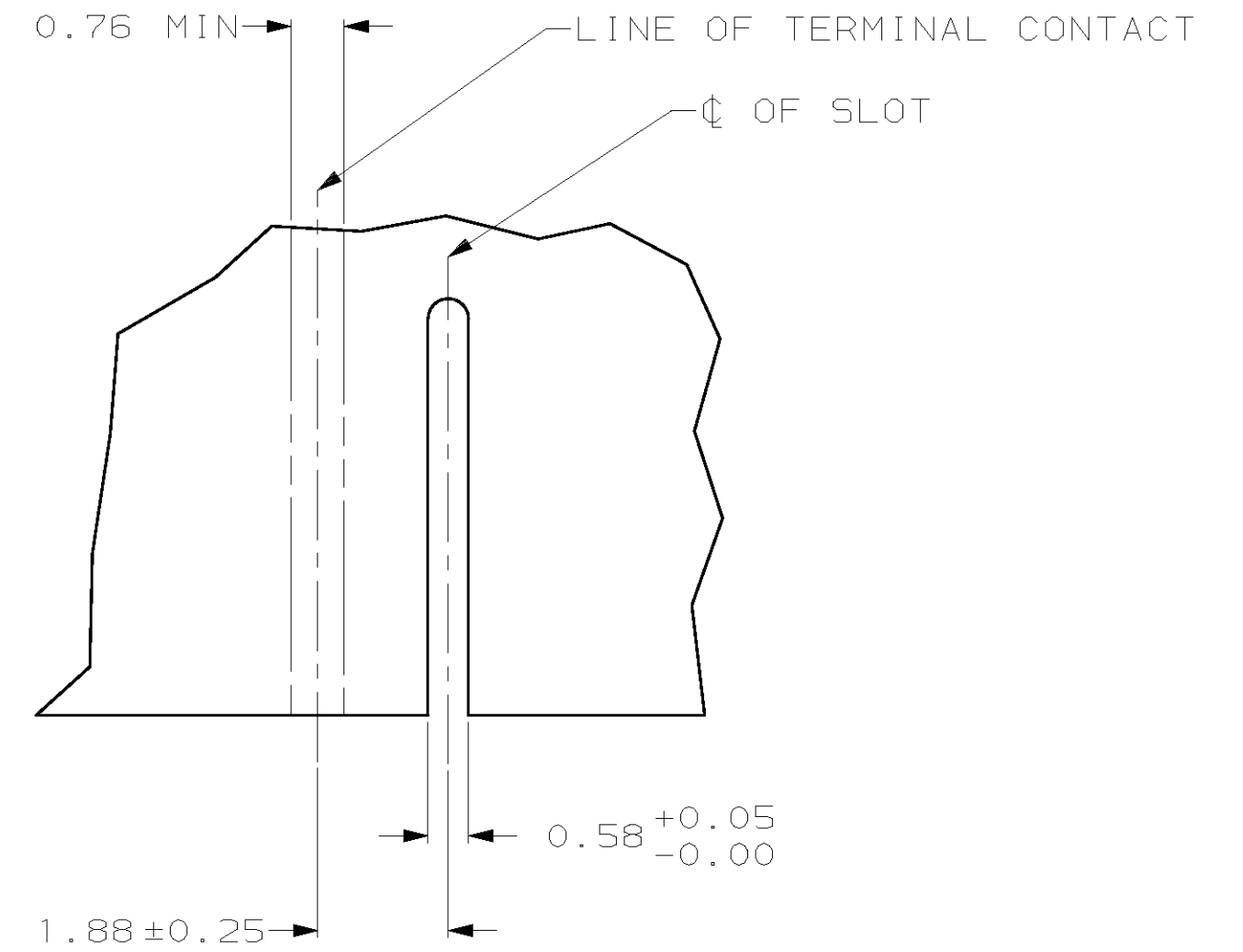


THIS DRAWING IS UNPUBLISHED. RELEASED FOR PUBLICATION
 (C) COPYRIGHT 19 BY AMP INCORPORATED. ALL RIGHTS RESERVED.

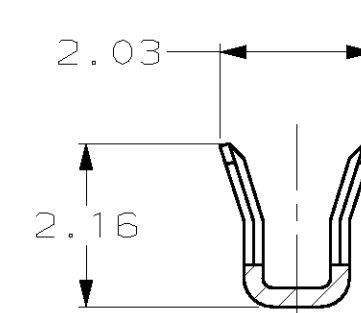
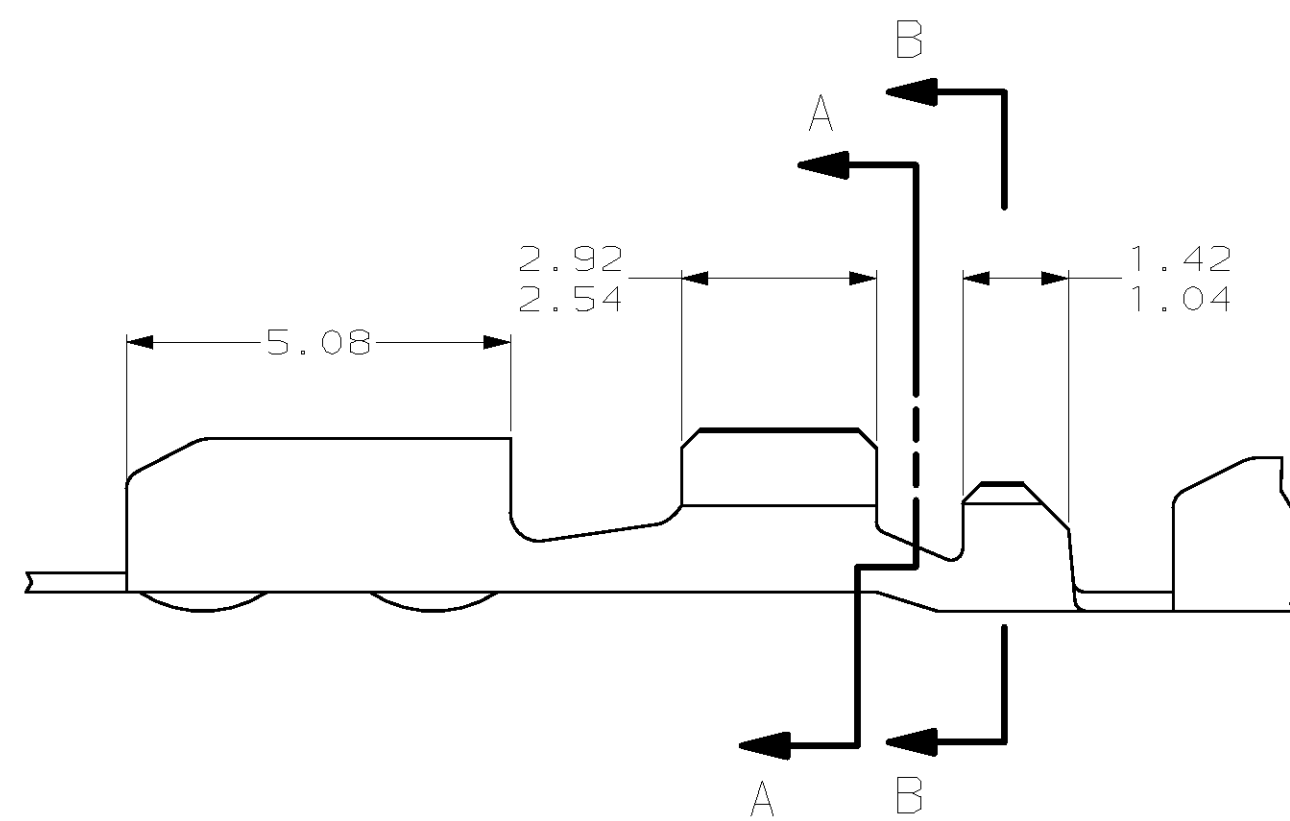
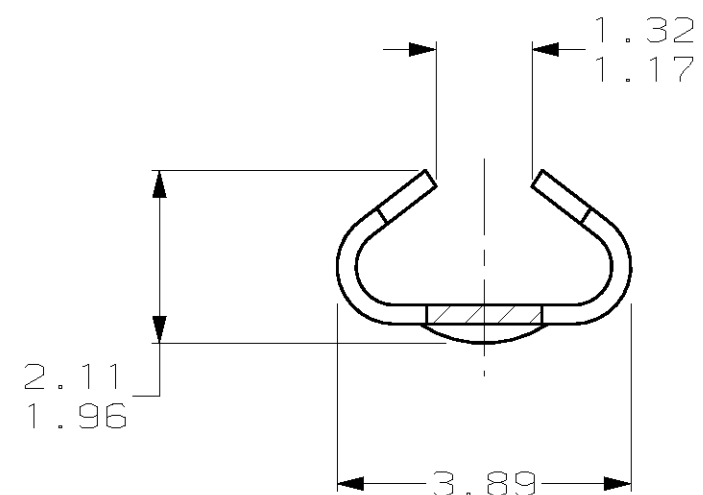
| LOC | | DIST | | REVISIONS | | | |
|-----|-----|-------------|---------------------------------|-----------|------|----|--|
| P | LTR | DESCRIPTION | DATE | DWN | APVD | | |
| CM | 52 | H | REV & REDWN PER EC 0L30-0096-97 | 2-28-97 | TB | RS | |



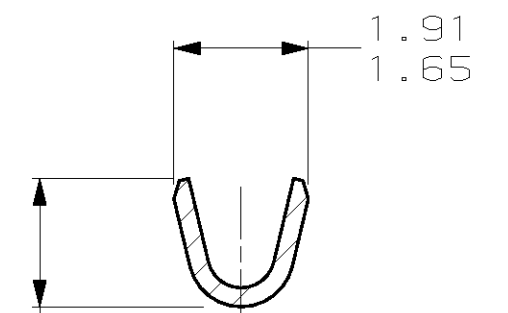
1. WIRE RANGE: 0.03 - 0.2 MM² (32 - 24 AWG)
2. INSULATION RANGE: 0.51 - 1.27



RECOMMENDED CUT OUT FOR 1.57 THICK P.C. BOARD



SECTION A-A



SECTION B-B

| | | | | | | | |
|------|------|------|------|------|------|-------|------|
| 1.04 | .041 | 1.88 | .074 | 3.89 | .153 | - | - |
| 0.76 | .030 | 1.70 | .067 | 2.92 | .115 | - | - |
| 0.58 | .023 | 1.65 | .065 | 2.54 | .100 | - | - |
| 0.51 | .020 | 1.57 | .062 | 2.16 | .085 | - | - |
| 0.25 | .010 | 1.42 | .056 | 2.11 | .083 | 13.89 | .547 |
| 0.13 | .005 | 1.32 | .052 | 2.03 | .080 | 13.64 | .537 |
| 0.05 | .002 | 1.27 | .050 | 1.96 | .077 | 12.50 | .492 |
| 0.00 | .000 | 1.17 | .046 | 1.91 | .075 | 5.08 | .200 |
| MM | IN | MM | IN | MM | IN | MM | IN |

CONVERSION TABLE

METRIC

61389-2
PART NUMBER

| | | | | |
|---------------------------------------------------------------------------------------------------------------|---------------------|-------------------------------|-----------------------------------------------------------------|----------------------|
| THIS DRAWING IS A CONTROLLED DOCUMENT. | | DWN T. BECK 2-28-97 | AMP Incorporated Harrisburg, PA 17105-3608 | |
| DIMENSIONS: mm | | CHK R. SWING 2-28-97 | AMP | |
| TOLERANCES UNLESS OTHERWISE SPECIFIED: 0 PLC ± 1 PLC ± 2 PLC ±0.13 3 PLC ± 4 PLC ± ANGLES ± | | APVD A. BEDDICK 3-04-97 | NAME TERMINAL, 32-24 AWG, .020-.050 INSULATION, AMP-EDGE™ | |
| MATERIAL 0.25 PH BRZ | FINISH MATTE TIN | PRODUCT SPEC - | APPLICATION SPEC - | RESTRICTED TO - |
| CUSTOMER DRAWING | | WEIGHT - | SCALE 10:1 | SHEET 1 OF 1 |
| | | SIZE A2 | CAGE CODE 00779 | DRAWING NO. 61389 |